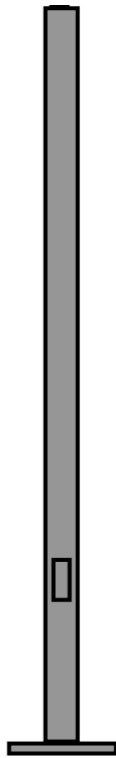




ZUMALIGHTING

QUALITY OUTDOOR SOLUTIONS



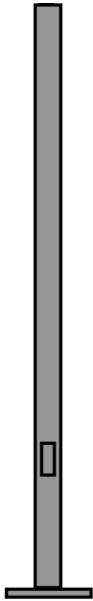
ARCHITECTURAL POLES

ZUMA LIGHTING LLC

325 N LARCHMONT BLVD STE 406, LOS ANGELES, CA 90004

INFO@ZUMALIGHTING.COM • (310) 975-3126 • ZUMALIGHTING.COM

ARCHITECTURAL POLES



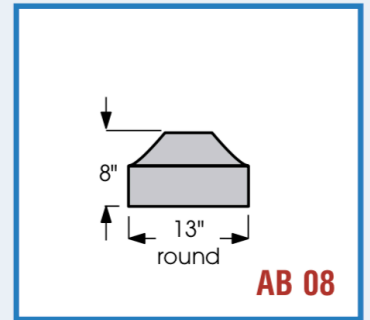
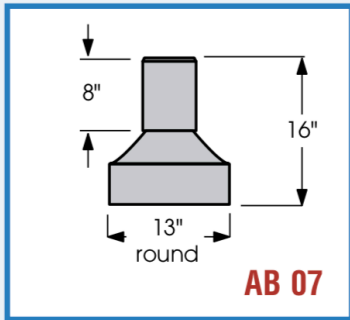
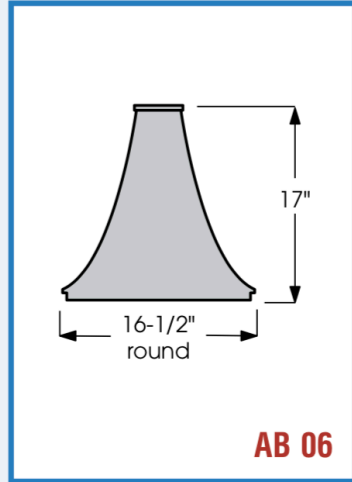
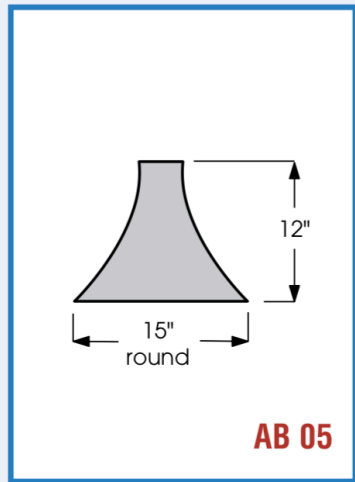
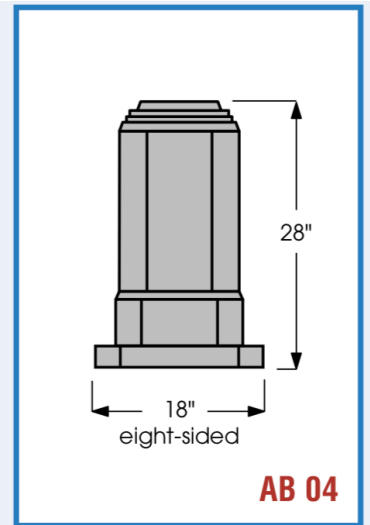
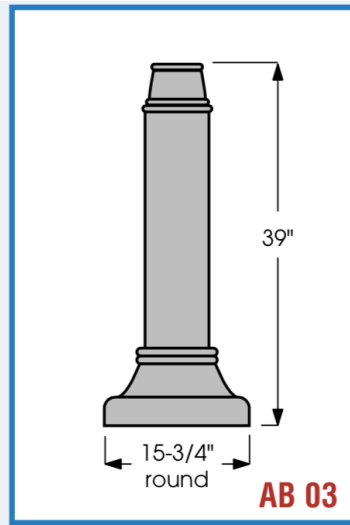
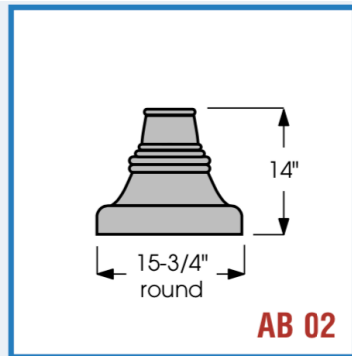
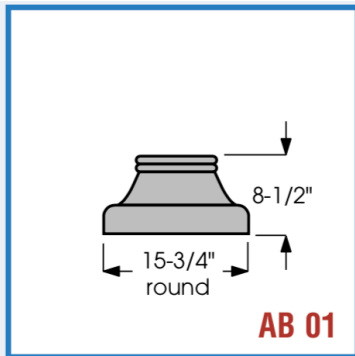
Create a catalog number from the tables below. Example for pole illustrated:

P-12-4R-A-2-AB11-BK

Custom designs are also available, consult factory for more information.

Pole	Pole Height	Diameter	Material	Gauge	Base	Color	Options
P = Pole	12 = 12ft. 20 = 20ft. (specify any height between 6' up to 30')	4R = 4" round 4S = 4" square 5R = 5" round 5S = 5" square RT = Round tapered	S = Steel A = Aluminum	2 = 11G, .120" 8 = 7G, .180" 5 = 3G, .250" 0 = other, consult factory	Select from bases sheet	DB = Dark Bronze BK = Black WH = White SL = Silver CC = Custom	TN = Tenon BN = Single Banner Arm BD = D-180 Banner Arms BS = Two Banner Arms on Same Side GL = Galvanize Steel GFI = Ground Fault Interrupter

Architectural Bases & Base Covers



STANDARD TWO-PIECE BASE COVERS

