



ZUMALIGHTING
QUALITY OUTDOOR SOLUTIONS



MODEL
LYON

TYPE
ALUMINUM POLE

SERIES
POLES/ARMS/BASES

ZUMA LIGHTING LLC
325 N LARCHMONT BLVD STE 406, LOS ANGELES, CA 90004
INFO@ZUMALIGHTING.COM • (310) 975-3126 • ZUMALIGHTING.COM

POLE SPECIFICATIONS

Model LYON
Type ALUMINUM POLE
Series POLES/ARMS/BASES



Pole	Pole Height	Diameter	Base	Color	Options
LYO = Lyon	10 = specify any height up to 10' 3" max	7 = 7" tapered to 5"	Wal = Walnut (shown here) B = Other base, please specify	DB = Dark Bronze BK = Black WH = White SL = Silver CC = Custom	DR = Duplex Receptacle GFI = Ground Fault Interrupter

POLE SPECIFICATIONS

Pole & Base Construction

Durable corrosion resistant cast aluminum pole welded to one-piece solid casting base with handhold and cover. The pole can be specified any height up to 10'3" length and tapers from 7" diameter at the bottom to 5" diameter at the top.

Pole & Base Height

The length of the entire pole & base combination is 13'.

The Lyon is shown with the Walnut one-piece cast base. For additional decorative base options, visit zumalighting.com

Shaft

The shaft tapers from 7" to 5" and is cast with decorative features

Color

Polyester powder fuse coating:

PP – Primed Painted

BK – Black Paint

BZ – Bronze Paint

GN – Green Paint

VG – Verde Green

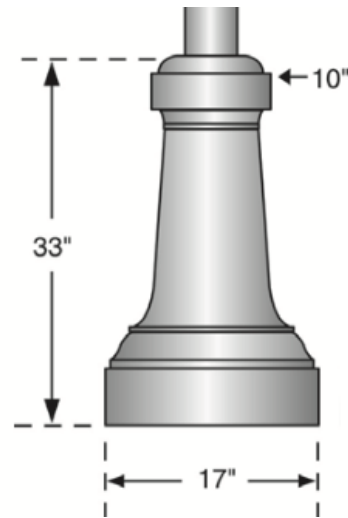
CC – Custom Color, consult factory

Anchor Bolts

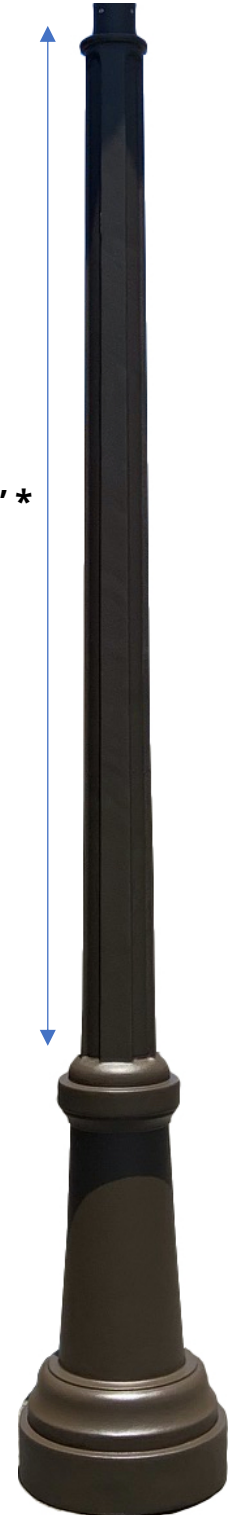
(4) ¾" x 16" x 3", fabricated from hot rolled steel, hot dip galvanized



10' 3" *



Walnut Base shown above, see website for more base options



*Custom height available up to 10' 3".