



**ZUMALIGHTING**  
QUALITY OUTDOOR SOLUTIONS



MODEL  
**PIEDMONT**

TYPE  
**LED**

SERIES  
**WALL & CEILING**

**ZUMA LIGHTING LLC**  
325 N LARCHMONT BLVD STE 406, LOS ANGELES, CA 90004  
[INFO@ZUMALIGHTING.COM](mailto:INFO@ZUMALIGHTING.COM) • (310) 975-3126 • [ZUMALIGHTING.COM](http://ZUMALIGHTING.COM)

# ORDERING INFORMATION

<b>Model</b> PIEDMONT
<b>Type</b> LED
<b>Series</b> WALL & CEILING



PIE-12 Wall Pack



PIE-15 Wall Pack



PIE-20 Wall Pack

FIXTURE	WATTAGE	VOLTS	COLOR TEMP	OPTICS	Lens	COLOR	OPTIONS
PIE-12	<b>PIE-12</b> 22W	U = 120v- 277v	4K = 4000K	T3	C = Clear Flat Glass Lens	DB = Dark Bronze	SF = Single Fuse
PIE-15	<b>PIE-15</b> 25W	H = 347- 480v*	5K = 5000K	T5	P = Clear Flat Prismatic Glass Lens*	CC = Custom	DF = Double Fuse
PIE-20	<b>PIE-20</b> 37W						SP = Surge Protection
	<b>PIE-20</b> 56W	<i>*Not available with PIE-15</i>			<i>*Only available with T5 optics</i>		PC = Photocell
							S2 = Microwave Sensor w/ Dimming for Mounting Height of 8-40' (120-277v only)
							BU = Battery Backup, 90 Minutes



# SPECIFICATIONS

## Piedmont Overview

The Piedmont cutoff wall pack series is available with a choice of optical distributions designed to replace HID lighting systems 175w to 400 MH or HPS. Typical wall mounted lighting applications include retail centers, industrial parks, school and universities, public transit and airports, office buildings, and medical facilities. Mounting heights of 8 to 30 feet can be used based on light level and uniformity requirements.

## Housing

Die cast hinged and gasketed aluminum front frame and housing with ½" coin plugs. Nickel-plated stainless steel hardware. Photocell adaptable.

## Listing & Ratings

CSA Listed for wet locations, ANSI/UL 1598, 8750; IP66 Sealed LED Compartment.

## Finish

Textured architectural bronze powder coat finish over a chromate conversion coating. Custom colors available upon request.

## Lens

Tempered clear flat glass lens or tempered clear flat prismatic glass lens.

## Mounting Options

Cast-in template for mounting directly over a 4" recessed outlet box, or use ½" surface conduit.

## Wattage

### PIE-12

22w: Array: 21.7w, System: 25w (175w HID Equivalent)

### PIE-15

25w: Array: 24.78w, System: 28w (150w HID Equivalent)

37w: Array: 37.2w, System: 43w (250w HID Equivalent)

### PIE-20

56w: Array: 55.8w, System: 63w (400w HID Equivalent)

## Driver

Electronic Driver, 120-277V, 50/60Hz or 347-480V, 50/60Hz; Less Than 20% THD and PF>0.90. Standard Internal Surge Protection is 2kV for 25w, 6kV for 37w and higher wattage. 0-10V Dimming Standard for a Dimming Range of 100% to 10%; Dimming Source Current is 150 Microamps.

## Controls

Fixtures Ordered with Factory-Installed Photocell or Motion Sensor Controls are Internally Wired for Switching and/or 1-10V Dimming Within the Housing. Remote Direct Wired Interface of 1-10V Dimming is Not Implied and May Not Be Available, Please Consult Factory. Fixtures are Tested with LEPG Controls and May Not Function Properly With Controls Supplied By Others. Fixtures are NOT Designed for Use with Line Voltage Dimmers.

## Warranty

5-Year warranty for -40° to +50°C environment.

## Photometric Performance

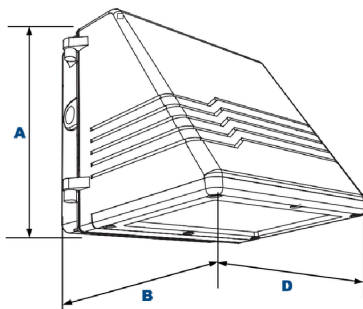
LED Board Watts	Drive Current (mA)	Input Watts	Optics	5000 CCT 80 CRI					4000 CCT 80 CRI				
				Lumens	LPW	B	U	G	Lumens	LPW	B	U	G
PIE-12	525	25	Type III	2,005	80	1	2	1	1,925	77	1	2	1
			Type V	2,251	90	1	2	0	2,161	86	1	2	0

LED Board Watts	Drive Current (mA)	Input Watts	Optics	5000 CCT 80 CRI					4000 CCT 80 CRI				
				Lumens	LPW	B	U	G	Lumens	LPW	B	U	G
PIE-15-37w	525	43	Type III	3,959	92	1	2	1	3,801	88	1	2	1
			Type V	4,148	97	2	2	0	3,982	93	2	2	0

LED Board Watts	Drive Current (mA)	Input Watts	Optics	5000 CCT 80 CRI					4000 CCT 80 CRI				
				Lumens	LPW	B	U	G	Lumens	LPW	B	U	G
PIE-20-56w	525	63	Type III	5,895	94	2	2	2	5,659	90	1	2	1
			Type V	6,525	104	2	2	1	6,264	99	2	2	1

## Dimensions

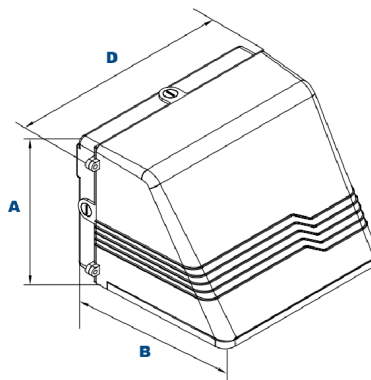
PIE-12



### Dimensions

<b>Width (D)</b>	8¾" (222mm)
<b>Length (B)</b>	9½" (241mm)
<b>Height (A)</b>	8⅝" (219mm)

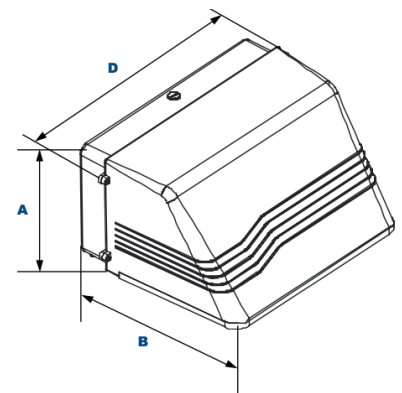
PIE-15



### Dimensions

<b>Width (D)</b>	14¼" (362mm)
<b>Length (B)</b>	11⅜" (289mm)
<b>Height (A)</b>	9⅞" (232mm)

PIE-20



### Dimensions

<b>Width (A)</b>	8¾" (220mm)
<b>Length (B)</b>	11" (280mm)
<b>Height 2 (D)</b>	5¼" (146mm)