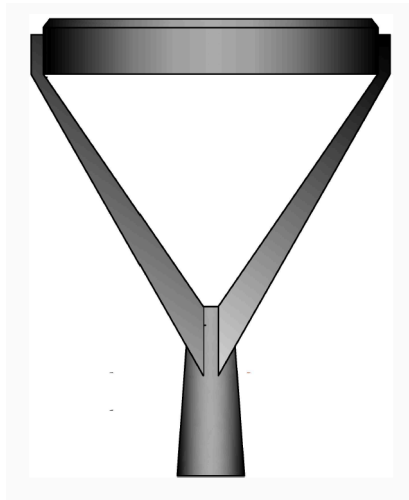




ZUMALIGHTING
QUALITY OUTDOOR SOLUTIONS



MODEL
SOLSTICE

TYPE
LED

SERIES
ARCHITECTURAL

ZUMA LIGHTING LLC
325 N LARCHMONT BLVD STE 406, LOS ANGELES, CA 90004
INFO@ZUMALIGHTING.COM • (310) 975-3126 • ZUMALIGHTING.COM

ORDERING INFORMATION

Model SOLSTICE
Type LED
Series ARCHITECTURAL



SOL-D w/ double support arms



SOL-S w/ single support arm



SOL-SI w/ side-arm support

FIXTURE	SUPPORT ARM STYLE	SUPPORT ARM DESIGN	WATTAGE	VOLTS	COLOR TEMP	OPTICS	COLOR	OPTIONS
SOL	D = Double Support Arm S = Single Support Arm SI = Side-Arm Support	1 2 3 (See pg. 4 for design option examples) <i>Only available w/ SOL-D & SOL-S</i>	30W 40W 60W 70W 80W 90W 120W	U = 120v-277v 8 = 480v	27K = 2700K 3K = 3000K 4K = 4000K 5K = 5000K	T2 T3 T4 T5	DB = Dark Bronze BK = Black WH = White SL = Silver CC = Custom	M = Motion Sensor PC = Photocell D = Dimming S = Surge Protection T = Textured Powder Coat Finish FAL = Frosted Acrylic Lens MGF = Marine Grade Finish

Housing and Lens

The fixture housing is fabricated from a combination of heavy duty cast and spun aluminum components.

Electrical Components

EncapLED, an IP66-rated ETL and DLC listed LED module system, combines optics and heat sink into one configurable unit which give precise light distribution. Available in types II, III, IV & V. It allows us to do 10w., 30w. & 40w. increment adjustment on light output. The module achieves 110-120 lm/w efficacy with LUXEON LUMILEDS TX CHIPS. Beside maximizing heat dissipation surface, we also utilize convection-based heat management which creates additional air flow around each chip. Unlike a big metal heat sink where the temperature for the chips in the middle is higher than the rest, the heat of each EncapLED chip gets dissipated evenly. A better heat dissipation design keeps the junction temperature low and ultimately prolongs the life of the LED chips. Our modules are available in any of our fixture designs, as well as in a simple retro-fit kit form for existing fixtures.

Mounting

Fixture can be installed on post-top.

Tenon top mounting options:

- over 3" OD (standard)
- over 2-3/8" OD

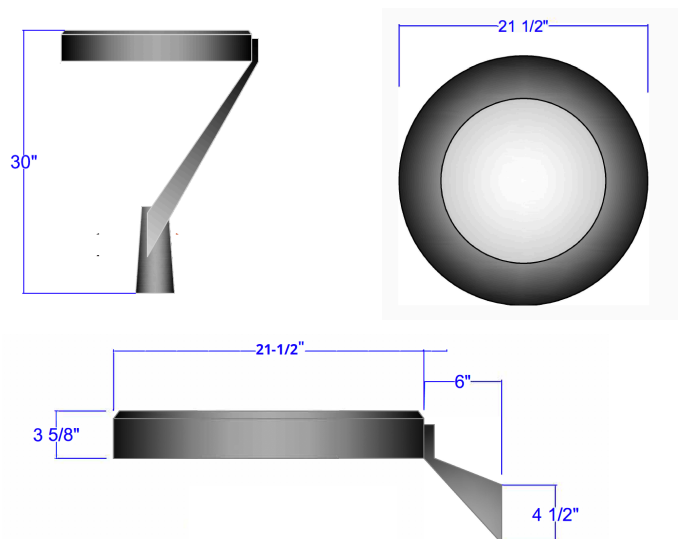
Fixture can also be installed on mounting arms, sold separately. See architectural arm .pdf for style options.

Finish

Thermoset polyester oven-baked powder coat, in any standard color. Custom colors are available to your specification.

Certificates & Warranty

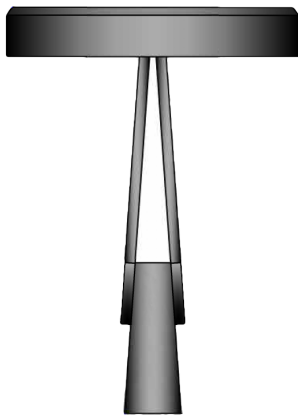
- DLC
- ETL
- Suitable for wet locations
- 5-year warranty



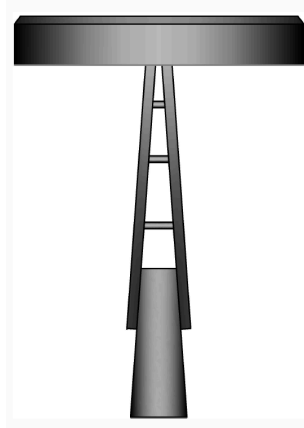
Support Arm Decorative Options

TO ORDER:

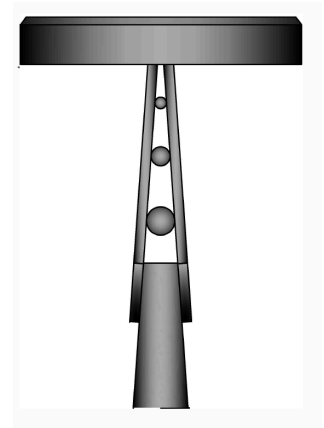
1. Specify single, double support, or side-mount arm (SOL-S, SOL-D, SOL-SI)
 2. Specify support arm decorative style 1-3 (ex. SOL-S-2 or SOL-D-1)
- *Note: support arm decorative styles only apply to SOL-S and SOL-D*



1



2



3