

CI8

8" Incandescent Cylinder

Specifications/Features

Fixture

8" diameter extruded aluminum construction for indoor commercial and industrial applications.

Three mounting options available: ceiling mount, pendant mount or wall mount.

Pendant mount fixtures feature a sloped ceiling canopy (select stem kits separately below).

Flexible cable mount fixtures are supplied with 120" field adjustable cable.

Wall mount bracket provides easy, one handed installation.

Safety chain connects the cylinder to the lid (ceiling mount and pendant mount).

Lamp/Electrical

250W PAR38, E26 Medium Base, max lamp (ceiling mount and pendant mount), 120-130V.

300W R40 or 250W PAR38, E26 Medium Base, max lamp (wall mount) 120-130V.

100W R40 or 100W PAR38, E26 Medium Base, max lamp (flexible cable mount), 120-130V.

Mounting

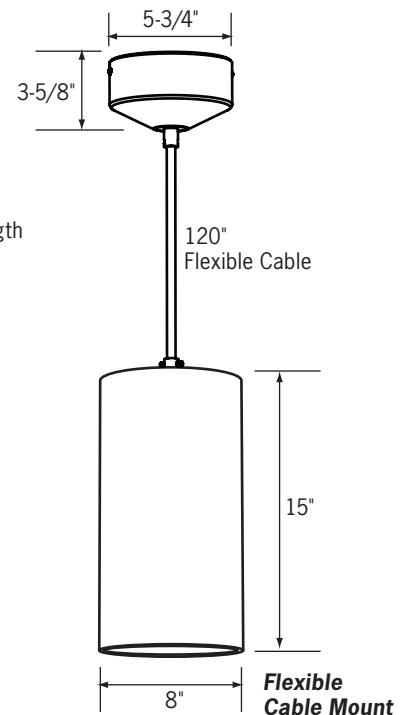
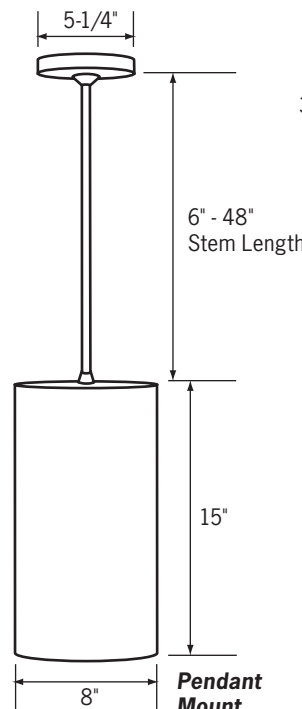
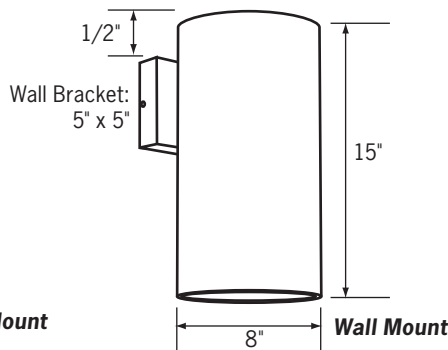
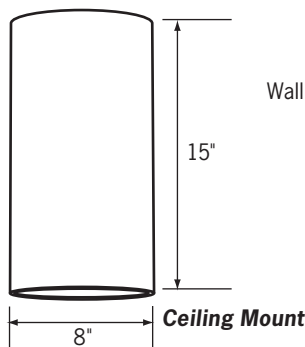
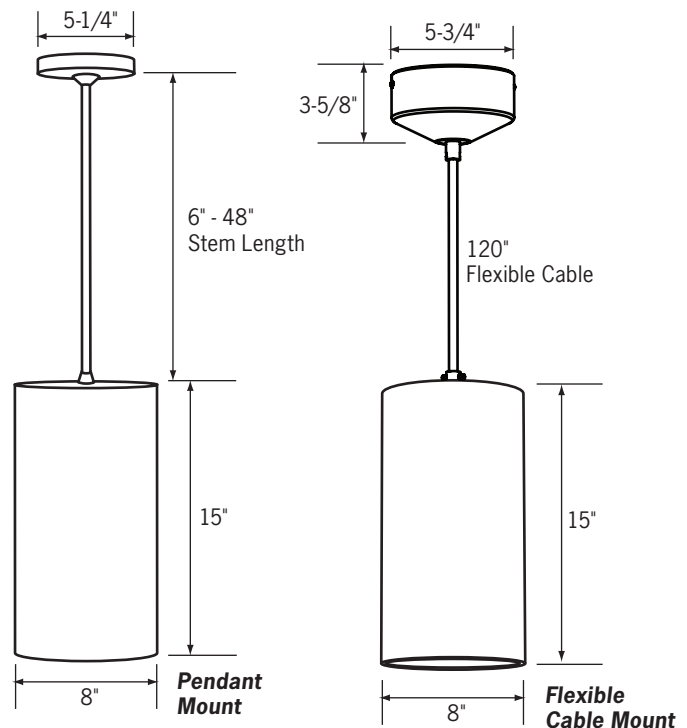
Ceiling mount, pendant mount or wall mount (hardware included for mounting to octagonal or rectangular switch junction box).

Warranty

This fixture is covered by ConTech's full one year replacement guarantee after date of purchase.

Labels/Usage

cULus listed. Suitable for damp locations.



Ordering Information

Example Order: -

| Fixture | Mounting | Baffle/Reflector | Finish |
|----------------------------------|--------------------------------|--------------------------------|--------------------------------|
| <input type="text" value="CI8"/> | <input type="text" value="C"/> | <input type="text" value="B"/> | <input type="text" value="B"/> |

CI8

C - Ceiling Mount
FC - Flexible Cable
P - Pendant Mount
W - Wall Mount

B - Black Baffle
C - Clear Reflector

B - Black
P - White
S - Silver

Stem Kit - Pendant Mount Only

CSK6-(B,P,S) - 6" Stem Kit
CSK12-(B,P,S) - 12" Stem Kit
CSK18-(B,P,S) - 18" Stem Kit
CSK24-(B,P,S) - 24" Stem Kit
CSK30-(B,P,S) - 30" Stem Kit
CSK36-(B,P,S) - 36" Stem Kit
CSK48-(B,P,S) - 48" Stem Kit