

EXR2H

Remote Capable LED Exit/LED Emergency Light Combination

Specifications/Features

Fixture

Injection molded thermoplastic ABS housing.
 UL 94V-0 Flame rating.
 Miniature, rectangular lamp head.
 Innovative, snap together design allows for fast and easy installation.
 Replaceable directional chevron inserts are easily removed and reinserted.
 Letters are 6" high with a 3/4" stroke.
 Single or double face configuration.

Mounting

Wall or ceiling mount.
 Simple twist and lock tightly secures housing to canopy.

Electrical

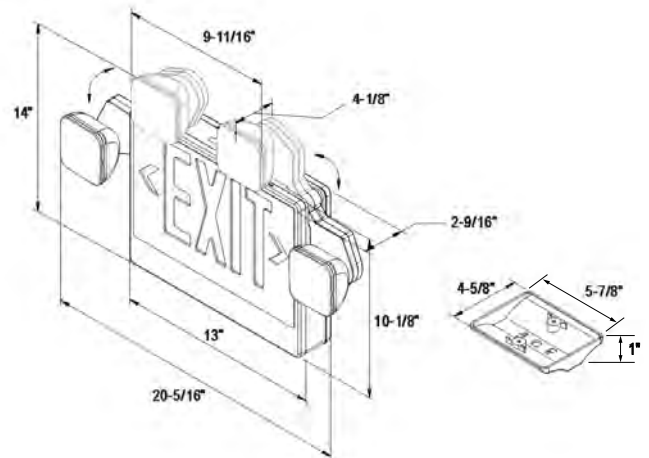
120/277VAC dual voltage operation.
 Push button test switch and charge light indicator.
 LED emergency heads each deliver 200 lumens at 2.5W each.
 Lead-Calcium battery (6V, 4.5Ah) delivers more than 90 minutes capacity to emergency heads.
 Can be used to energize four (4) REL1L remote single head units; six (6) REL1L remote single heads can be energized by adding a second lead-calcium (6V, 4.5Ah) battery.
 Can be used to energize two (2) REL2L remote dual head units; three (3) REL2L remote dual heads can be energized by adding a second lead-calcium (6V, 4.5Ah) battery.
 Maximum distance remote heads can be located from unit is 65 feet.
 24 Hour recharge after 90 minute discharge.
 Low voltage battery disconnection prevents deep discharge damage to the battery.

Warranty

This fixture is covered by ConTech's full one (1) year replacement guarantee after date of purchase.

Listing

UL listed for damp location. Meets UL924.



Lamp Heads: 3-3/8" x 3-3/16"

Ordering Information

Example Order: -

Fixture

Finish

- EXR2HGLEML** - Remote Capable LED Exit/LED Emergency Light Combination, Green Lettering
EXR2HRLEML - Remote Capable LED Exit/LED Emergency Light Combination, Red Lettering

- B** - Black
P - White