

STP13

Compact Fluorescent Step Light with Faceplate

Specifications/Features

Fixture/Mounting

8" x 3-1/2" aperture size.
 Dry wall, block wall or concrete pour mounting.
 Aluminum housing and cast aluminum face plates.
 Designed for interior or exterior applications.
 Through wiring with (2) 1/2" knock-outs
 Tempered glass lens.
 Tamper proof screws for trims.

Lamp/Electrical

(1) 4pin, 13W DTT or TRT, 4-PIN, G24Q-1 or GX24Q-1 base maximum lamp. Lamps sold separately.
 Electronic, instant start, single wattage ballast with high power factor; 120V or 277V
 Surge protected, meets ANSI C62.41.
 Class P thermally protected by internal fuse in electronic ballast.
 End of lamp life protection circuit
 Sound rating: A
 Maximum input (13W) current: @120V (.13A); @277V (.05A)

Trims

Cast aluminum face plates.
 Three styles available: Grill, Louver and Open
 Three color finishes: Black, White, and Silver

Warranty

This fixture is covered by ConTech's one (1) year full replacement guarantee after date of purchase.

Listing

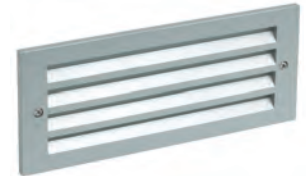
cULus listed. Suitable for wet locations.



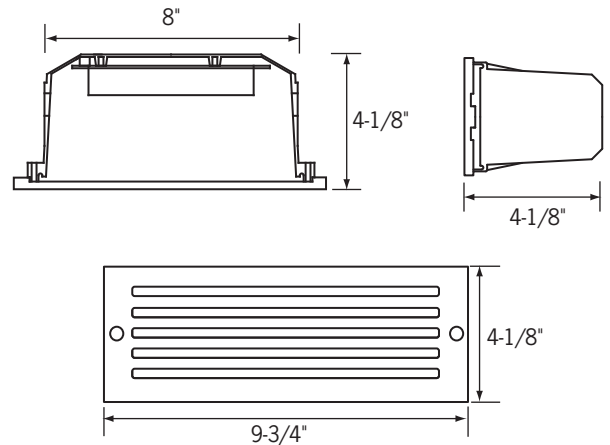
Grill Face Plate (FP-G)



Open Face Plate (FP-O)



Louver Face Plate (FP-L)



Ordering Information

Example Order: -

Fixture

STP13 - 13W, 120V Step Light Housing
STP13-27 - 13W, 277V Step Light Housing

Face Plate -

FP-G - Grill Face Plate
FP-L - Louver Face Plate
FP-O - Open Face Plate

Finish

B - Black
S - Silver
W - White