



LL18 LL30 LL36 LL54

Applications: outdoor / wet location, above cabinet, cove lighting, counter accent, architectural accents, under banisters, decks, gazebos, barbeque stations and wet bars.

LineLED Wet Tube is a new small profile, more energy efficient LED strip for wet locations. The LineLED Wet Tube has superior light output, a durable but flexible circuit board and it is very easy to install.

Due to the sealing bond needed to guarantee the wet-rating, exact lengths are required to order the LineLED Wet Tube. Extending and turning corners in the field require custom production.

**Mounting**  
LED strip is equipped with 3M™ VHB™ adhesive transfer tape.

**Approvals**  
IP65 & IP68 rated

**Beam Angle**  
120°

**Operating voltage**  
24 VDC

**Average life**  
50,000 hours

**Warranty**  
3 years



### Technical information

MODEL	LL18 WET	LL30 WET	LL36 WET	LL54 WET
LEDS/ft	18	30	36	54
Light output 3000K	121 lum/ft	190 lum/ft	244 lum/ft	353 lum/ft
Average power consumption (for 15' section)	1.5 W/ft	2.5 W/ft	3.0 W/ft	4.5 W/ft
Ordering increment	4.00"	2.50"	2.00"	1.3"
Maximum run length (in series)	100 ft	48 ft	39 ft	26 ft
Profile Dimensions W/connector dimensions, see line drawing	0.47" W 0.24" H	0.47" W 0.24" H	0.47" W 0.24" H	0.47" W 0.24" H

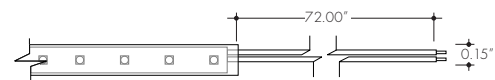
#### CCT INFO/LUMEN MULTIPLIER

#### TM-30-15

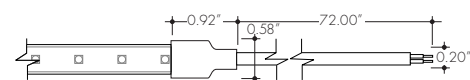
Color temperature	Multiplier (referenced from 3000K)	CRI	R <sub>f</sub>	R <sub>g</sub>
2700K	0.81	98	95	101
3000K	1.00	92	90	99
3500K	1.05	94	90	99

#### SECTION START/END OPTIONS

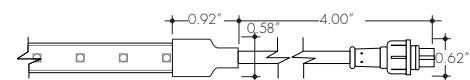
72" Soldered leads (SL65)



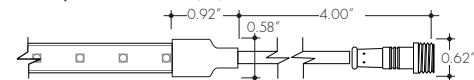
72" Soldered leads (SL68)



Female quick connect end (F)

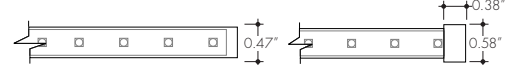


Male quick connect end (M)



No connector (NC)  
IP65 model only

No connector (NC)  
IP68 model only

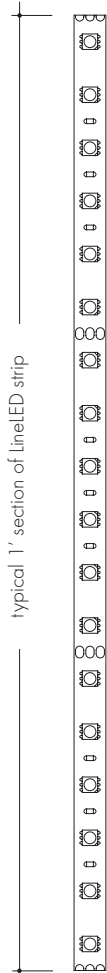


### Ordering code

MODEL	ENCLOSURE	COLOR TEMPERATURE	SECTION START	SECTION END	LENGTH
<b>LL18WET</b>	<b>T</b>	<b>27K</b>	<b>SL65</b>	<b>NC</b>	
LL18WET *LL30WET *LL36WET *LL54WET	T - Tube	27K - 2700K 30K - 3000K 35K - 3500K **Temperature - Custom	***SL65 - IP65 Soldered lead wires (72") SL68 - IP68 Soldered lead wires (72") F - Female connector M - Male connector ***NC - No connector	***SL65 - IP65 Soldered lead wires (72") SL68 - IP68 Soldered lead wires (72") F - Female connector M - Male connector ***NC - No connector	view table above for increment options and maximum run limits

\* Title 24 JA8 Compliant  
\*\* Other color temperature are available for special order  
\*\*\* Only available option with IP65, cannot be combined with any other options

Power consumption per linear foot - loads tested with PSD series of power supplies (page 4)

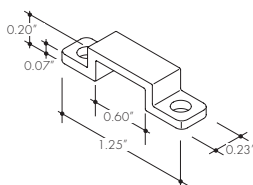


Length of strip (LF)	LL18WET-T		LL30WET-T		LL36WET-T		LL54WET-T	
	W/ft	Total wattage	W/ft	Total wattage	W/ft	Total wattage	W/ft	Total wattage
1	1.65	1.65	2.70	2.70	3.25	3.25	5.35	5.30
2	1.65	3.30	2.70	5.40	3.25	6.50	5.30	10.60
3	1.65	4.95	2.70	8.10	3.25	9.75	5.25	15.80
4	1.63	6.58	2.65	10.60	3.20	12.80	5.20	20.60
5	1.63	8.21	2.65	13.25	3.20	16.00	5.15	26.00
6	1.62	9.83	2.65	15.90	3.15	18.90	5.10	30.80
7	1.62	11.45	2.60	18.20	3.15	22.05	5.05	35.70
8	1.62	13.07	2.60	20.80	3.10	24.80	5.00	40.00
9	1.60	14.67	2.60	23.40	3.10	27.90	4.95	44.80
10	1.60	16.50	2.55	25.50	3.05	30.50	4.90	48.90
11	1.57	18.07	2.55	28.05	3.05	33.50	4.85	53.30
12	1.57	19.64	2.55	30.60	3.00	36.00	4.80	57.40
13	1.57	21.21	2.50	32.50	3.00	39.00	4.70	60.60
14	1.55	22.76	2.50	35.00	3.00	42.00	4.60	64.30
15	1.55	24.31	2.50	37.50	3.00	45.00	4.50	67.40
16	1.55	25.86	2.45	39.20	2.95	47.20	4.40	70.50
17	1.52	27.38	2.45	41.65	2.95	50.15	4.35	73.40
18	1.52	28.90	2.45	44.10	2.90	52.50	4.30	77.00
19	1.52	30.42	2.40	45.60	2.90	55.10	4.25	81.30
20	1.50	31.20	2.40	48.00	2.85	57.00	4.20	83.50
21	1.50	32.70	2.40	50.40	2.85	59.85	4.10	85.70
22	1.50	34.20	2.35	51.70	2.80	61.60	4.00	87.10
23	1.48	35.68	2.35	54.05	2.80	64.60	3.90	88.80
24	1.47	37.15	2.35	56.40	2.75	66.00	3.80	90.10
25	1.47	38.62	2.30	57.50	2.75	68.75	3.70	92.30
26	1.45	40.07	2.30	59.80	2.70	70.20	3.60	93.60
27	1.45	41.52	2.30	62.10	2.70	72.90		
28	1.43	42.20	2.25	63.00	2.65	74.20		
29	1.42	43.00	2.25	65.25	2.65	76.85		
30	1.40	43.70	2.25	67.50	2.60	78.00		
31	1.40	45.10	2.20	68.20	2.60	80.60		
32	1.38	46.50	2.20	70.40	2.55	81.60		
33	1.37	47.70	2.20	72.60	2.55	84.15		
34	1.37	49.00	2.15	73.10	2.50	85.00		
35	1.36	50.45	2.15	75.25	2.50	87.50		
36	1.36	51.70	2.15	77.40	2.45	88.20		
37	1.36	52.50	2.10	77.70	2.45	90.65		
38	1.36	53.00	2.10	79.80	2.40	91.20		
39	1.35	53.90	2.10	81.90	2.40	93.60		
40	1.35	54.40	2.05	82.00				
41	1.35	55.75	2.05	84.05				
42	1.34	57.09	2.05	86.10				
43	1.34	58.43	2.02	86.90				
44	1.33	59.76	2.00	88.00				
45	1.33	61.07	2.00	90.00				
46	1.32	61.97	1.96	90.20				
47	1.32	62.70	1.95	91.65				
48	1.31	63.50	1.95	93.60				
49	1.31	64.05						
50	1.30	64.80						
51-60	1.30 - 1.25	65.20 - 70.80						
61-70	1.25 - 1.20	71.00 - 76.20						
71-80	1.20 - 1.10	77.00 - 81.60						
81-90	1.10 - 1.00	82.00 - 86.20						
91-100	1.00 - 0.95	87.00 - 91.40						

Accessories

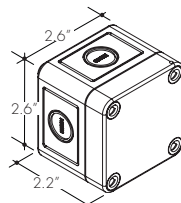
**Mounting clip**  
CL-2

Recommended at every 12" when LineLED strip is facing down.



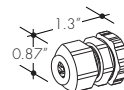
**Splice Box**  
LVSP-WET

Wet rated, low voltage splice box, gray



**Connector**  
LVSP-WET-CM

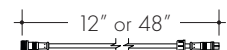
Low voltage splice box wet cable, management gray



**Male/Female Joiner**  
IP67 - 12

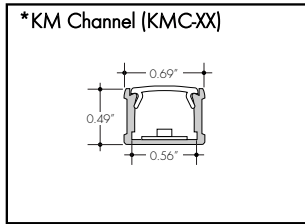
12 - 12"  
48 - 48"

Linking and extension cable in 12" or 48"

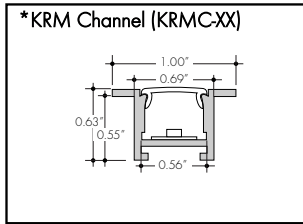


Lens options / light transmission percentage per lens

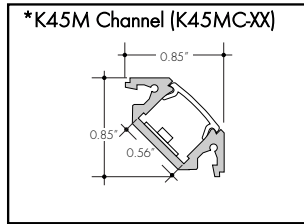
- C** Clear
- HF** Half (50%) Frosted
- G** Graze
- SI** Satin Ice
- S** Square Frosted
- Q** Rounded Square Frosted
- F** Frosted
- M** Medium beam frosted
- R** Raised
- C36** Clear 36° beam angle
- C10** Clear 10° beam angle



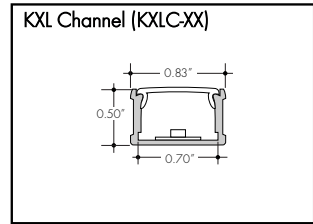
- C** 71%
- F** 42%
- HF** 58%
- C10** 67%
- R** 39%



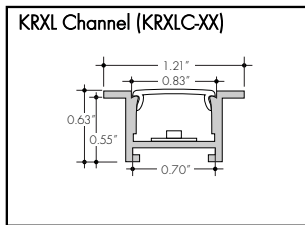
- C** 71%
- F** 42%
- HF** 58%



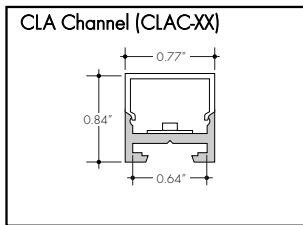
- C** 71%
- F** 42%
- HF** 58%
- C10** 67%



- C** 74%
- F** 46%
- HF** 61%



- C** 74%
- F** 46%
- HF** 61%



- S** 62%
- Q** 63%

\*Not compatible with IP68 connectors

**Installation**

All mounting channels are field cuttable using miter saw with circular blade suitable for cutting aluminum.

**Ordering**

Extrusions are sold separately. View respective specsheets for details on ordering extrusions and their accessories (endcaps, mounting brackets, etc).

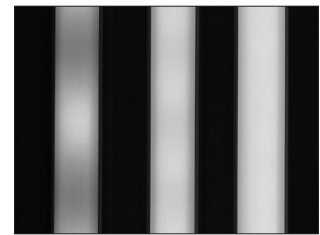
**Discontinued Extrusion Reference Link**

<https://www.luminii.com/media/4351/extrusion-update-02.pdf>

**LED Dotting per extrusion**

using the frosted lens option

extrusion	LED Models			
	LL18 Wet	LL30 Wet	LL36 Wet	LL54 Wet
<b>KMC, KRMC, K45MC</b>	CD	CD	SD	ND
<b>KXLC, KRXLC</b>	CD	CD	SD	ND
<b>ALS20</b>	CD	CD	SD	ND
<b>CLAC</b>	CD	SD	ND	ND



Clear Dotting (CD)      Slight Dotting (SD)      NO Dotting (ND)

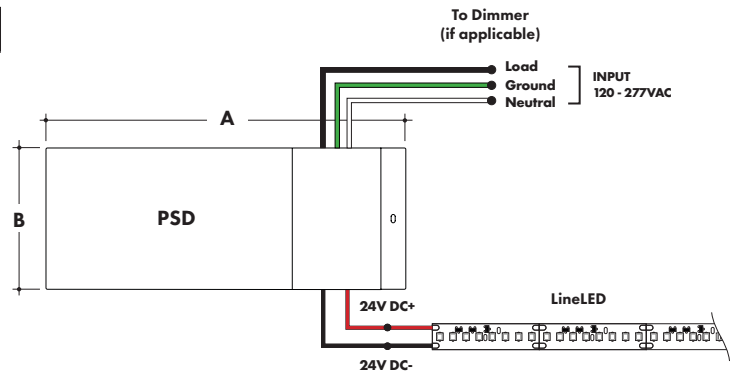
### Power supply

See fixture and power supply instructions & spec sheet for wiring information. Dimming possible in select models - view luminii website for list of compatible dimmers.

#### Magnetic Low Voltage Dimming Power Supplies

MODEL	POWER	OUTPUT	INPUT
<b>PSD</b>	<b>48</b>	<b>24</b>	
PSD - PSD Series dims down to 0%	48 - 48 Watt 96 - 96 Watt 288 - 288 Watt (3 x 96Watt)	24 - 24 VDC	Blank - 120 V 240 - 240 V 277 - 277 V

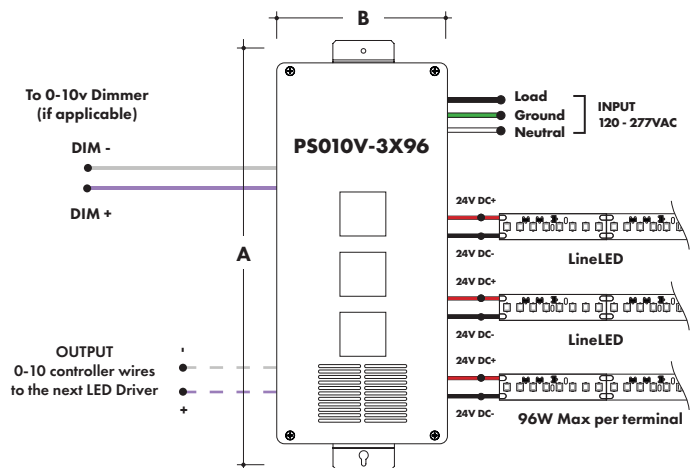
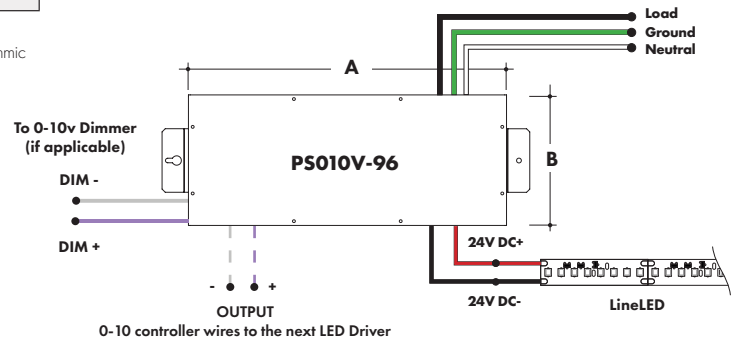
MODELS	PSD 48	PSD 96	PSD 288
<b>A Length</b>	11.25"	11.25"	13.06"
<b>B Width</b>	3.42"	3.42"	8.42"
<b>Depth</b>	3.42"	3.27"	4.47"



#### 0-10V Dimming Power Supplies

MODEL	POWER	OUTPUT	DIMMING
<b>PS010V</b>	<b>3X96</b>	<b>24</b>	<b>LIN</b>
PS010V - 0-10V Power Supply dims down to 0%	96 - 96 Watt 3X96 - 3 X 96 Watt	24 - 24 VDC	LIN - Linear LOG - Logarithmic

MODELS	96W	3X96
<b>A Length</b>	14.40"	15.75"
<b>B Width</b>	5.20"	6.62"
<b>Depth</b>	2.60"	4.95"



**Power supply**

See fixture and power supply instructions & spec sheet for wiring information. Dimming possible in select models - view Luminii website for list of compatible dimmers.

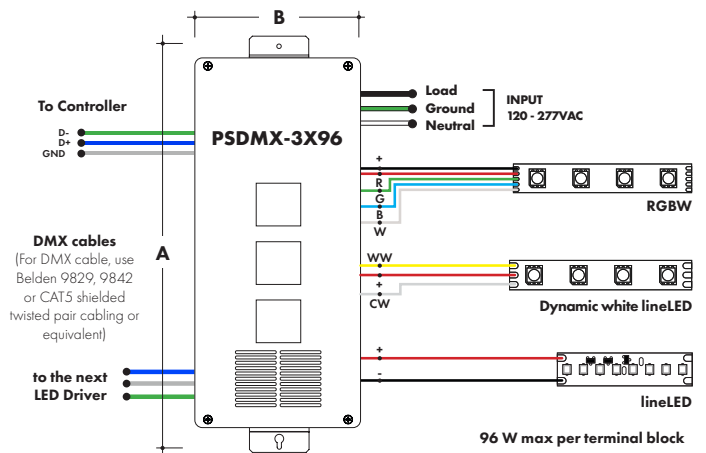
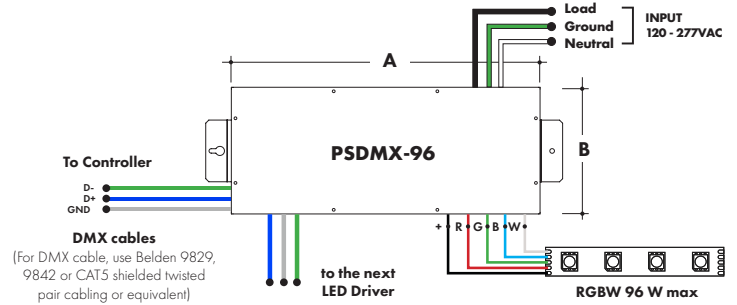
**DMX Dimming Power Supplies**

MODEL	POWER	OUTPUT
<b>PSDMX</b>	<b>96</b>	<b>24</b>

PSDMX - DMX Power Supply      96 - 96 Watt      24 - 24 VDC  
 3X96 - 3 X 96 Watt

Features eldoLED's LINEARdrive configurable dimmable drivers

MODELS	96W	3X96
<b>A Length</b>	14.40"	15.75"
<b>B Width</b>	5.20"	6.62"
<b>Depth</b>	2.60"	4.95"



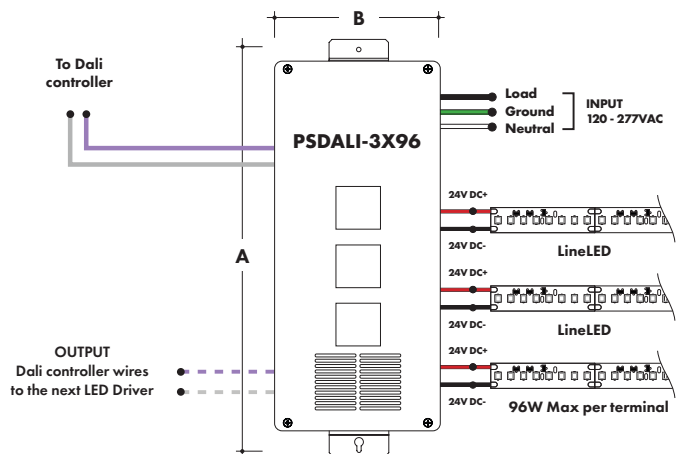
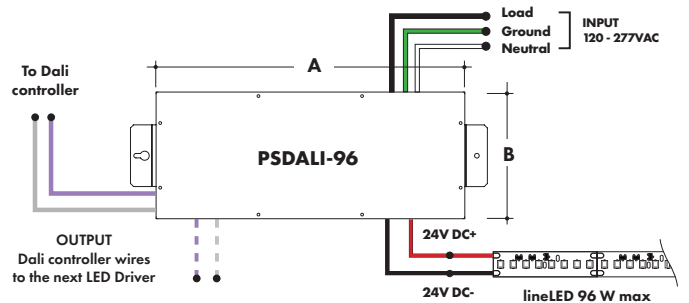
**DALI Dimming Power Supplies**

MODEL	POWER	OUTPUT
<b>PSDALI</b>	<b>96</b>	<b>24</b>

PSDALI - DALI Power Supply      96 - 96 Watt      24 - 24 VDC  
 dims down to 0%      3X96 - 3 X 96 Watt

Features eldoLED's LINEARdrive configurable dimmable drivers

MODELS	96W	3X96
<b>A Length</b>	14.40"	15.75"
<b>B Width</b>	5.20"	6.62"
<b>Depth</b>	2.60"	4.95"



**Power supply**

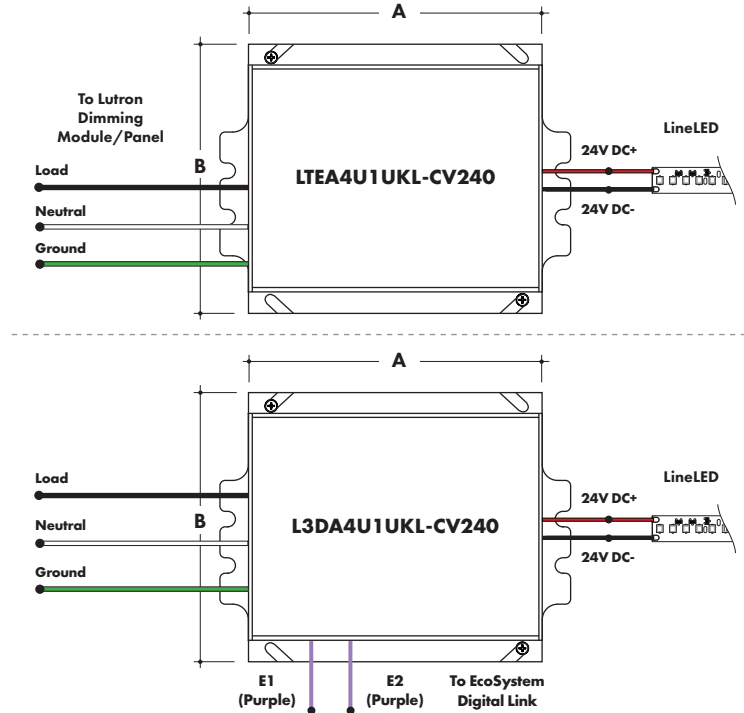
See fixture and power supply instructions & spec sheet for wiring information. Dimming possible in select models - view Luminii website for list of compatible dimmers.



Luminii is a Lutron OEM Advantage Partner

MODEL	MODEL
<b>LTEA4U1UKL-CV240</b>	<b>L3DA4U1UKL-CV240</b>
Lutron - HiLume™ 1% 2-wire LED Driver (120V forward phase only)	HiLume™ 1% EcoSystem Voltage LED driver

MODELS	LTEA41UKL-CV240	L3DA4U1UKL-CV240
<b>A Length</b>	4.89"	4.98"
<b>B Width</b>	4.00"	4.00"
<b>Depth</b>	2.62"	2.62"

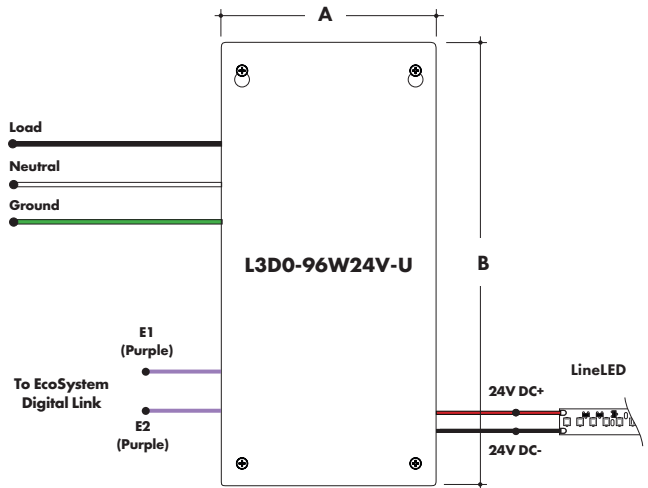


Luminii is a Lutron OEM Advantage Partner

MODEL
<b>L3D0-96W24V-U</b>

HiLume™ 0.1% EcoSystem Voltage LED Driver with Soft-On, Fade-to-Black™

MODELS	L3D0
<b>A Length</b>	10.50"
<b>B Width</b>	5.50"
<b>Depth</b>	2.00"

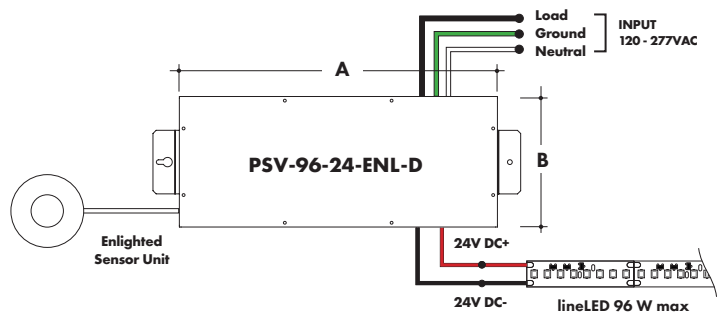


**Enlighted Enabled Dimming Power Supplies:**

MODEL	POWER	OUTPUT	DIMMING	LOCATION
<b>PSV</b>	<b>96</b>	<b>24</b>	<b>ENL</b>	<b>D</b>

PSV - PSV Series    96 - 96 Watt    24 - 24 VDC    ENL - Enlighted Dimming    D - Damp

MODELS	96 W
<b>A Length</b>	14.40"
<b>B Width</b>	5.20"
<b>Depth</b>	2.60"



### Power supply

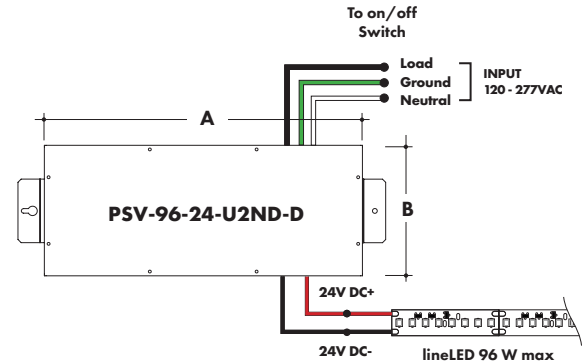
See fixture and power supply instructions & spec sheet for wiring information. Dimming possible in select models - view Luminii website for list of compatible dimmers.

#### Non-Dimming Power Supply

MODEL	POWER	OUTPUT	DIMMING	LOCATION
<b>PSV</b>	<b>96</b>	<b>24</b>	<b>U2ND</b>	<b>D</b>

PSV - PSV Series    96 - 96 Watt    24 - 24 VDC    U2ND - Non Dimming    D - Damp

MODELS	96W
<b>A Length</b>	14.40"
<b>B Width</b>	5.20"
<b>Depth</b>	2.60"



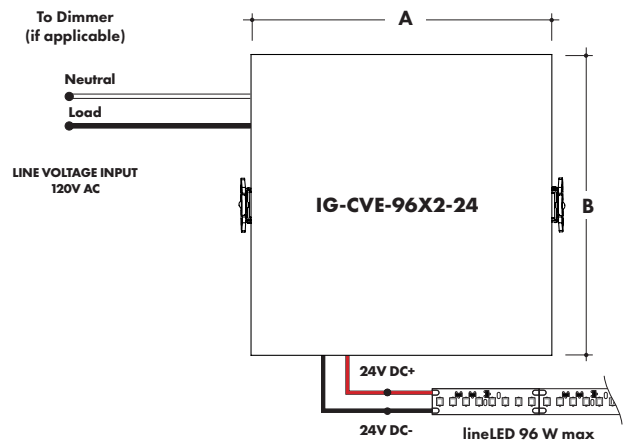
#### In ground, Electronic Low Voltage Dimming Power Supplies

MODEL	POWER	OUTPUT	INPUT
<b>IG</b>	<b>CVE</b>	<b>96X2</b>	<b>24</b>

IG - In ground CVE Series    CVE - ELV Dimming DALI - eldoLED Dali dimming  
Both dims down to 0.1%

96X2 - 2 X 96 Watt    24 - 24 VDC    Blank - 120 V 277 - 240/277 V

MODELS	Dual Circuit
<b>A Length</b>	8.40"
<b>B Width</b>	8.30"
<b>Depth</b>	8.10"

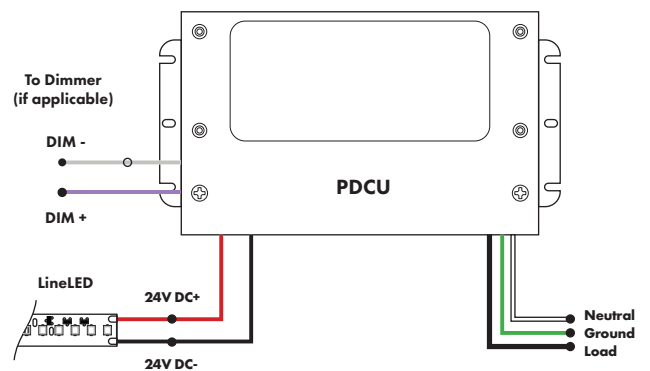


#### Universal Power Supply

MODEL	POWER	OUTPUT
<b>PDCU</b>	<b>30</b>	<b>24</b>

PDCU - PDCU Series    30 - 30 Watt    24 - 24 VDC  
PDCUe - PDCUe Series    60 - 60 Watt    96 - 96 Watt    3X96 - 3x96 Watt

- 0-10V - 1% dimming
- MLV/ELV/TRIAC - 1% dimming

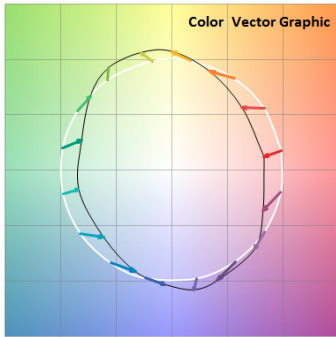


MODELS	PDCU 30W	PDCUe 30W	PDCU 60W	PDCUe 60W	PDCU 96W	PDCUe 96W	PDCU 3X96W	PDCUe 3X96W
<b>A Length</b>	6.50"	6.10"	7.40"	7.93"	8.66"	8.25"	11.85"	9.57"
<b>B Width</b>	3.73"	3.35"	3.73"	3.35"	3.73"	4.10"	4.32"	5.94"
<b>Depth</b>	1.61"	1.33"	1.61"	1.32"	1.61"	1.56"	1.81"	1.13"

TM-30-15: Data

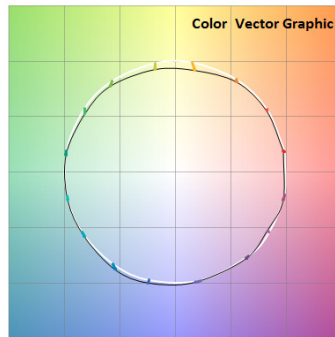
based on LL36 values

22K CCT



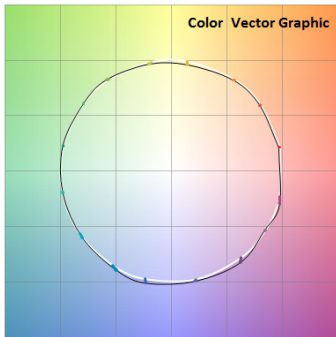
Hue Bin	R <sub>f</sub>	Graphic shifts (%)	
		Chroma	Hue
1	65	-16%	-2%
2	63	-16%	12%
3	50	-7%	22%
4	72	5%	18%
5	83	10%	9%
6	84	9%	-7%
7	69	-2%	-18%
8	73	-15%	-11%
9	70	-15%	-2%
10	61	-16%	15%
11	62	-6%	22%
12	64	2%	19%
13	87	9%	-4%
14	55	5%	-23%
15	72	1%	-17%
16	65	-12%	-20%

24K CCT



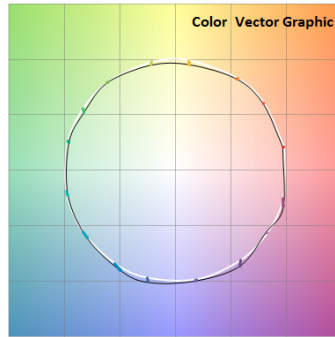
Hue Bin	R <sub>f</sub>	Graphic shifts (%)	
		Chroma	Hue
1	95	-1%	0%
2	95	-1%	-1%
3	94	-2%	-2%
4	89	-7%	-3%
5	93	-6%	1%
6	92	-3%	4%
7	91	-3%	5%
8	93	0%	4%
9	92	0%	4%
10	92	0%	4%
11	91	3%	4%
12	94	3%	0%
13	93	1%	-6%
14	93	1%	-4%
15	93	-2%	1%
16	91	0%	-5%

27K CCT



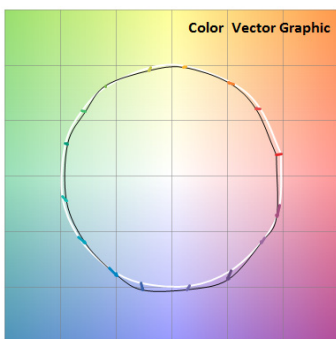
Hue Bin	R <sub>f</sub>	Graphic shifts (%)	
		Chroma	Hue
1	97	-1%	0%
2	98	-1%	0%
3	96	-1%	1%
4	94	-3%	-1%
5	95	-1%	2%
6	96	1%	2%
7	96	0%	1%
8	98	0%	0%
9	97	0%	2%
10	93	0%	4%
11	91	2%	5%
12	93	4%	1%
13	95	2%	-2%
14	93	3%	-3%
15	95	-1%	-1%
16	90	1%	-7%

29K CCT



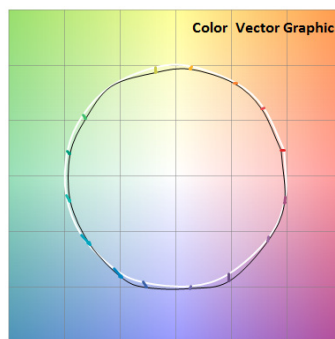
Hue Bin	R <sub>f</sub>	Graphic shifts (%)	
		Chroma	Hue
1	95	-1%	0%
2	97	-1%	0%
3	96	-1%	1%
4	92	-4%	-1%
5	94	-3%	2%
6	97	0%	1%
7	93	-3%	3%
8	97	-1%	1%
9	93	-1%	4%
10	88	0%	7%
11	88	3%	8%
12	91	4%	2%
13	96	1%	-2%
14	92	4%	-3%
15	94	-1%	0%
16	89	2%	-8%

30K CCT



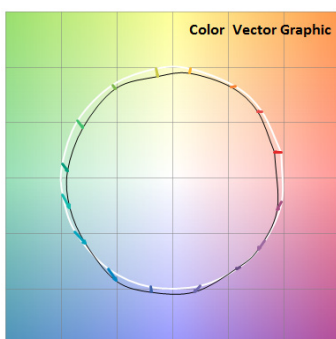
Hue Bin	R <sub>f</sub>	Graphic shifts (%)	
		Chroma	Hue
1	90	-4%	0%
2	92	-3%	2%
3	89	-2%	5%
4	93	-1%	2%
5	92	-3%	2%
6	96	1%	0%
7	92	-3%	-1%
8	96	-2%	0%
9	91	-3%	4%
10	84	-2%	8%
11	84	2%	10%
12	89	6%	3%
13	93	3%	-3%
14	88	5%	-7%
15	89	0%	-6%
16	85	0%	-11%

35K CCT



Hue Bin	R <sub>f</sub>	Graphic shifts (%)	
		Chroma	Hue
1	92	-3%	0%
2	94	-2%	1%
3	93	-1%	2%
4	92	-3%	1%
5	90	-5%	1%
6	96	0%	0%
7	92	-4%	1%
8	93	-3%	2%
9	90	-3%	6%
10	82	-2%	11%
11	83	3%	10%
12	89	4%	4%
13	95	2%	-1%
14	90	6%	-4%
15	90	1%	-4%
16	88	0%	-6%

41K CCT



Hue Bin	R <sub>f</sub>	Graphic shifts (%)	
		Chroma	Hue
1	85	-6%	1%
2	90	-3%	2%
3	90	-3%	3%
4	88	-4%	0%
5	87	-7%	0%
6	92	-4%	0%
7	87	-8%	2%
8	85	-6%	6%
9	80	-4%	13%
10	75	-2%	14%
11	79	5%	12%
12	90	5%	2%
13	88	4%	-6%
14	90	0%	-4%
15	81	-1%	-10%
16	81	-3%	-8%