

JOB NAME _____

CONTACT _____

ORDERING CODE _____

ORDERING CODE



PART NUMBER	680XK				
APERTURE	9	9"			
LED	CXB	Cree Xlamp CXB			
DELIVERED LUMENS	70LM	7,000 lm			
	80LM	8,000 lm			
	90LM	9,000 lm			
	100LM	10,000 lm			
	110LM	11,000 lm			
	120LM ¹	12,000 lm			
Standard Configuration: 3000K SA30. Refer to ies files for other lumen options. Calculated Delivered Lumens = [Delivered Lumen Value] x [CCT Multiplier]					
CCT	30K	3000K	CCT	3000K	3500K
	35K	3500K	CCT MULTIPLIER FOR LUMEN OUTPUT	1.00	1.09
	40K	4000K			
	50K	5000K			
CRI	80	80 CRI			
REFLECTOR	SA30	30° specular			
	SA40	40° specular			
	SA50	50° specular			
	WH60 ²	60° brilliant white			
DIMMING	10V	0-10V dimming to 10%			
FINISH	BK	black			
	WH	white			
	MC	matte chrome			
MOUNTING OPTIONS	S	surface mount			
	RP	rigid pendant			
	RP2	two piece rigid pendant			
SHADE	M16	16" silver aluminum			
	A16	16" prismatic			

DELTA9 High Bay



S



RP



RP2

DESCRIPTION

The DELTA9 has power and versatility. With 6 lumen packages from 7,000 to 12,000 delivered lumens, the DELTA9 packs a punch from a small 9" diameter. 10,000 lumen version is DLC pending. Offered in 3000K, 3500K, 4000K and 5000K. Black, white and matte chrome finish for its extruded aluminum housing. Prismatic shade or aluminum reflector in 16" is offered for traditional high bay aesthetics. Great for mid to high ceiling applications.

HOUSING

Extruded aluminum housing with black, white or matte chrome finish. Removable formed aluminum or acrylic shade.

MOUNTING

- Mounting over a 3-1/2" to 4" recessed octagonal junction box for surface mount and rigid pendant mounting options.
- RP mounting option can be mounted on ≤ 45° sloped ceiling (fixture is a self-contained operating unit, wiring through stem by others). 4' field cuttable rigid stem available. For custom stem lengths consult factory.

LISTINGS

- ETLus Listed to UL1598 (suitable for dry and damp locations)
- cETL Listed to CSA C22.2 #250.0
- Made in the USA - meets the requirements of the Buy American provision within the ARRA
- DLC pending

LED INFO

- Cree Xlamp CXB:
- SDCM = 2-step MacAdam Ellipse, Duv +/- 0.001, Lumen Maintenance: L₉₀ > 36,000 hrs

ORDERING CODE

Follow the steps to specify your fixture, example:
680XK - 9 - CXB - 100LM - 40K - 80 - SA30 - 10V - WH - RP - M16

CXB (LED)	POWER
DELIVERED LM	W (80 CRI)
7,000	68
8,000	79
9,000	92
10,000	106
11,000	121
12,000	136

Power Factor ≥ 0.9

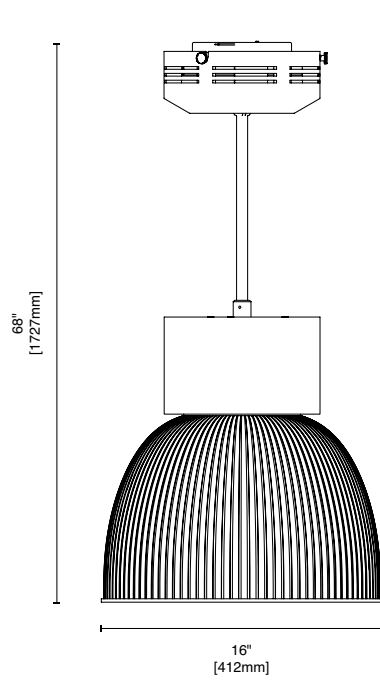
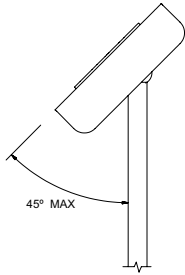
NOTES

1. 120LM package only available with SA30 reflector option.
2. WH60 reflector option not available in 120LM package.

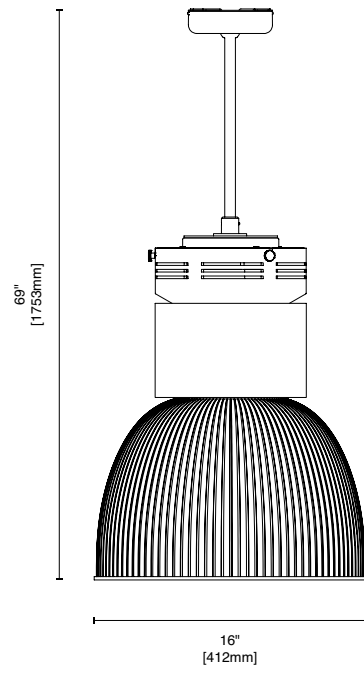
MOUNTING OPTIONS

Mounting Options

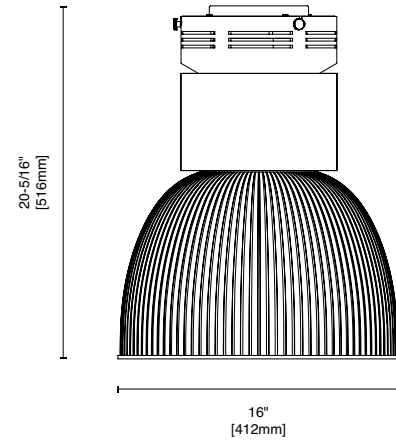
- S** surface mount
- RP** rigid pendant
- RP2** two piece rigid pendant



RP



RP2



S