

JOB NAME _____

CONTACT _____

ORDERING CODE _____



DIMENSION Linear Wall Wash



DW10



DW5

DESCRIPTION

Dimension is an ultra-mini recessed downlight in linear housing. It features a white or black micro trim for retrofit or new construction. Options include 2 different beam spreads and 3 different baffle colors. Highly efficient 90CRI is standard up to 2000 lm. Offered fixed in 1, 2, 3, 5 and 10 cell combinations as well as wall wash, adjustable and fixed with integrated spots. Universal voltage 120V-277V. The flush, incognito appearance limits glare with unrivaled performance. Compatible with most dimming protocols including Casambi, nLight® and PoE.

HOUSING

Aluminum die cast frame and heatsink integrated into one piece to provide enhanced thermal transfer from the LED board. 90min constant power IOTA emergency battery backup available in several power options.

MOUNTING

A spring loaded mounting system allows for quick and secure installation with LED and driver serviceability from below the ceiling. The springs allow variable ceiling thicknesses ranging from 1/8" to 7/8". Integrated rubber over the end of the spring provide a non-slip vibration resistant installation. Integrated bar hangers feature integral toothed nails, T-bar mounting slots with locking holes, tabs for joist positioning, and extendibility form 14-3/4" to 26". Remote driver mounting is also available.

LISTINGS

- ETLus Listed to UL2108, cETL Listed to CSA C22.2 #250.0
- Type Non-IC, IC, CP, Airtight ASTM Standard E283
- Suitable for damp locations

LED INFO

- LED: Osram® Opto Semiconductors SMT package # GW CSSRM2.CM
- SDCM: 3-step MacAdam Ellipse
- Lumen Maintenance: $L_{70} > 60,000$ hrs

ORDERING CODE

| | | |
|--------------------------------|---|---|
| SERIES | DW DWT | linear wall wash linear wall wash trimless |
| TYPE | 5 10 | 5 lens wall wash, 460 lm delivered 10 lens wall wash, 1050 lm delivered <small>Calculated Delivered Lumens = [Delivered Lumen Value] x [CCT Multiplier]</small> |
| LED | SW | static white |
| CCT & LM MULTIPLIER | 27K 30K 35K | 2700K (0.99) 3000K (1.00) 3500K (1.01) |
| CRI | 90 | 90 CRI |
| REFLECTOR | WW | wall wash |
| VOLTAGE & DIMMING | UNV-DIM10 120-ELV ^{2,3} LVL | 120V-277V integrated driver, flicker free 0-10V dimming to 1% 120V integrated driver, leading and trailing edge dimming (Triac/ELV) low voltage luminaire, see page 2 for REMOTE DRIVER ORDERING CHART to specify driver. |
| MOUNTING OPTIONS | NC IC ICAT CP RET | new construction with ceiling fitting plate insulation contact housing insulation contact/airtight housing chicago plenum housing retrofit, no ceiling fitting plate |
| FINISH | BK WH | black white |
| ELECTRICAL OPTIONS | EM7 ^{1,4} EM12 ^{1,4} FOR 347V OPTION | emergency battery backup, 90 minutes at 7 watts to LED emergency battery backup, 90 minutes at 12 watts to LED order separate "347V to 277V" step down transformer p/n: P70489 |

ORDERING CODE

Follow the steps to specify your fixture, example:
DW10 - SW - 30K - 90 - WW - UNV - DIM10 - NC - WH - EM7

| SW (LED) | POWER (WITH DRIVER) | POWER (LVL) | | |
|----------|---------------------|--------------|-----------|----|
| | | DELIVERED LM | W (90CRI) | MA |
| 460 | 13 | 700 | 15 | 11 |
| 1050 | 24 | 700 | 29 | 20 |

Power Factor ≥ 0.9

NOTES

1. EM options require above ceiling access for battery maintenance. EM12 compatible with DW10 only.
2. Leading and Trailing Edge dimming available in 120V only. Dimming performance depends on dimmer and wiring configuration.
3. "120-ELV" option dims to 1% in DW10, 5% in 1xDW5. EATON dimmer # DAL06P recommended.
4. "EM7" & "EM12" not available with LVL option.

REMOTE DRIVER ORDERING CODE (ORDER SEPARATELY)

| PART NUMBER | DMNREM | remote driver |
|------------------------------|---|---|
| VOLTAGE & DIMMING | UNV-DIM10-30 | 120V-277V remote driver, flicker free 0-10V dimming to 1%; 1-30W, 2-42.9Vdc output |
| | UNV-DIM10Z-30 | 120V-277V remote driver, flicker free 0-10V dimming to 0.1%; 1-30W, 2-42.9Vdc output |
| | UNV-DIM10-50 | 120V-277V remote driver, flicker free 0-10V dimming to 1%; 1-50W, 1.5-55Vdc output |
| | UNV-DIM10Z-50 | 120V-277V remote driver, flicker free 0-10V dimming to 0.1%; 1-50W total, 2x 1.5-55Vdc outputs |
| | UNV-DALI-50 | 120V-277V remote driver, flicker free DALI dimming to 1%; 1-50W, 1.5-55Vdc output |
| | UNV-DALIZ-50 | 120V-277V remote driver, flicker free DALI dimming to 0.1%; 1-50W total, 2x 1.5-55Vdc outputs |
| | UNV-DMX-50 | 120V-277V remote driver, flicker free DMX dimming to 0.1%; 1-50W total, 3x 2-55Vdc outputs |
| | 120-ELV-12 | 120V remote driver, leading & trailing edge dimming (Triac/ELV); 3.5-12W, 5-17Vdc output |
| | 120-ELV-25 | 120V remote driver, leading & trailing edge dimming (Triac/ELV); 8.4-25W, 12-36Vdc output |
| | 120-LTE-g | 120V remote driver, Lutron Hi-Lume 2-Wire (Triac) dimming to 1%; 5.6-14W, 8-20Vdc output |
| | 120-LTE-h | 120V remote driver, Lutron Hi-Lume 2-Wire (Triac) dimming to 1%; 10.5-26.6W, 15-38Vdc output |
| | UNV-LUT-b | 120V-277V remote driver, Lutron Hi-Lume Ecosystem dimming to 1%, Soft-on & Fade-to-Black; 21-35W, 30-50Vdc output |
| | UNV-LUT-c | 120V-277V remote driver, Lutron Hi-Lume Ecosystem dimming to 1%, Soft-on & Fade-to-Black, 14.4-26W, 20.6-37.1Vdc output |
| | UNV-LUT-d | 120V-277V remote driver, Lutron Hi-Lume Ecosystem dimming to 1%, Soft-on & Fade-to-Black, 8.4-16W, 12-22.9Vdc output |
| | UNV-LUTP-20 | 120V-277V remote driver, Lutron Hi-Lume Premier Ecosystem dimming to 0.1%, Soft-on & Fade-to-Black; 7-20W, 10-25.6Vdc output |
| | UNV-CAS-50 | 120V-277V remote driver, flicker free Casambi dimming to 0.1%, dim-to-dark; 1-50W, 2x 1.5-55Vdc outputs |
| | UNV-NLT-50 ¹ | 120V-277V remote driver, nLight control interface. Standard Cat-5/RJ45 connection, dimming to 0.1%; 1-50W, 2x 1.5-55Vdc outputs |
| 48-POE-1CH-N ¹ | 48V POE remote network node, standard Cat-5/RJ45 connection, dim-to-dark; 1 channel with a combined 8-53W, 12-48Vdc output | |
| 48-POE-1CH-D ¹ | 48V POE remote device node, standard Cat-5/RJ45 connection, dim-to-dark; 1 channel with a combined 8-53W, 12-48Vdc output | |
| 48-POE-1CH-NA ¹ | 48V POE remote network node, standard Cat-5/RJ45 connection, dim-to-dark; 1 channel with a combined 8-53W, 12-48Vdc output, with Accessory Inputs and Outputs | |
| 48-POE-1CH-DA ¹ | 48V POE remote device node, standard Cat-5/RJ45 connection, dim-to-dark; 1 channel with a combined 8-53W, 12-48Vdc output, with Accessory Inputs and Outputs | |
| 48-POE-4CH-NA ¹ | 48V POE remote network node, standard Cat-5/RJ45 connection, dim-to-dark; 4 channel with a combined 8-53W, 12-48Vdc output, with Accessory Inputs and Outputs | |
| 48-POE-4CH-DA ¹ | 48V POE remote device node, standard Cat-5/RJ45 connection, dim-to-dark; 4 channel with a combined 8-53W, 12-48Vdc output, with Accessory Inputs and Outputs | |

ORDERING CODE

Follow the steps to specify your fixture, example:

DMNREM - UNV - DIM10 - 30
NOTES

1. A POE string of fixtures consists of 1 Network Node connected to a POE Power Injector and multiple Device Nodes. The combined output of the string must be between 8-53W and 12-48Vdc.

REMOTE POWER SUPPLY MATRIX (MIN-MAX UNITS & DIMMING RANGE)

| | DF1 | DF2 | DF3 | DF5/DW5/DA5 | DF10/DW10/DA10 | DFS3 | DFS6 |
|-----------------------------------|-----------|----------|---------|-------------|----------------|---------|---------|
| DMNREM-UNV-DIM10-30 | 1-12 | 1-6 | 1-4 | 1-2 | 1 | 1-3 | 1 |
| DMNREM-UNV-DIM10Z-30 | 1-12 | 1-6 | 1-4 | 1-2 | 1 | 1-3 | 1 |
| DMNREM-UNV-DIM10-50 | 1-16 | 1-8 | 1-5 | 1-3 | 1 | 1-4 | 1-2 |
| DMNREM-UNV-DIM10Z-50 ¹ | 1-21 (16) | 1-10 (8) | 1-7 (5) | 1-4 (3) | 2 (1) | 1-5 (4) | 1-2 (2) |
| DMNREM-UNV-DALI-50 | 1-16 | 1-8 | 1-5 | 1-3 | 1 | 1-4 | 1-2 |
| DMNREM-UNV-DALIZ-50 ¹ | 1-21 (16) | 1-10 (8) | 1-7 (5) | 1-4 (3) | 2 (1) | 1-5 (4) | 1-2 (2) |
| DMNREM-UNV-DMX-50 ¹ | 1-21 (16) | 1-10 (8) | 1-7 (5) | 1-4 (3) | 2 (1) | 1-5 (4) | 1-2 (2) |
| DMNREM-120-ELV-12 | 2-5 | 1-2 | 1 | 1 | 0 | 1 | 0 |
| DMNREM-120-ELV-25 | 5-10 | 3-5 | 2-3 | 1-2 | 1 | 2 | 1 |
| DMNREM-120-LTE-g | 3-6 | 2-3 | 1-2 | 1 | 0 | 1 | 0 |
| DMNREM-120-LTE-h | 6-11 | 3-5 | 2-3 | 2 | 1 | 2 | 1 |
| DMNREM-UNV-LUT-b | 11-15 | 6-7 | 4-5 | 3 | 0 | 3 | 0 |
| DMNREM-UNV-LUT-c | 7-11 | 4-5 | 3 | 2 | 1 | 2 | 1 |
| DMNREM-UNV-LUT-d | 5-6 | 3 | 2 | 1 | 0 | 0 | 0 |
| DMNREM-UNV-LUTP-20 | 4-7 | 2-3 | 2 | 1 | 0 | 1 | 0 |
| DMNREM-UNV-CAS-50 ¹ | 1-21 (16) | 1-10 (8) | 1-7 (5) | 1-4 (3) | 2 (1) | 1-5 (4) | 1-2 (2) |
| DMNREM-UNV-NLT-50 ¹ | 1-21 (16) | 1-10 (8) | 1-7 (5) | 1-4 (3) | 2 (1) | 1-5 (4) | 1-2 (2) |
| DMNREM-48-POE-XXX | 5-14 | 3-7 | 2-4 | 1-2 | 1 | 2-3 | 1 |

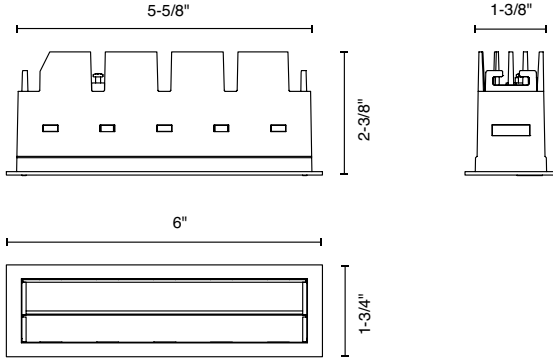
| | |
|-----------------------------------|--------------|
| DIMMING RANGE DOWN TO XX % | Dims to 0.1% |
| | Dims to 1% |
| | Dims to 5% |
| | Dims to 10% |

NOTES

1. DMNREM-UNV-DIM10Z-50, DMNREM-UNV-DALIZ-50, DMNREM-UNV-DMX-50, DMNREM-UNV-CAS-50 and DMNREM-UNV-NLT-50 have multiple outputs. The number in parentheses "(x)" is the max number of fixtures per output.

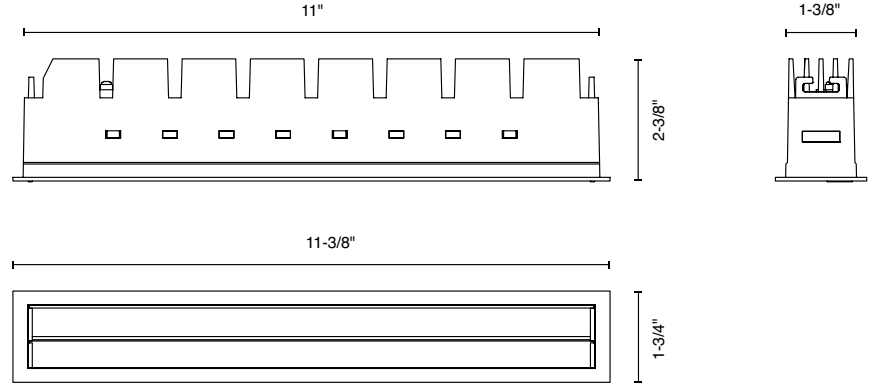
PRODUCT DIMENSIONS

DW5



TRIMMED CEILING CUTOUT 1-1/2" X 5-3/4"
TRIMLESS CEILING CUTOUT 2-1/8" X 6-3/8"

DW10

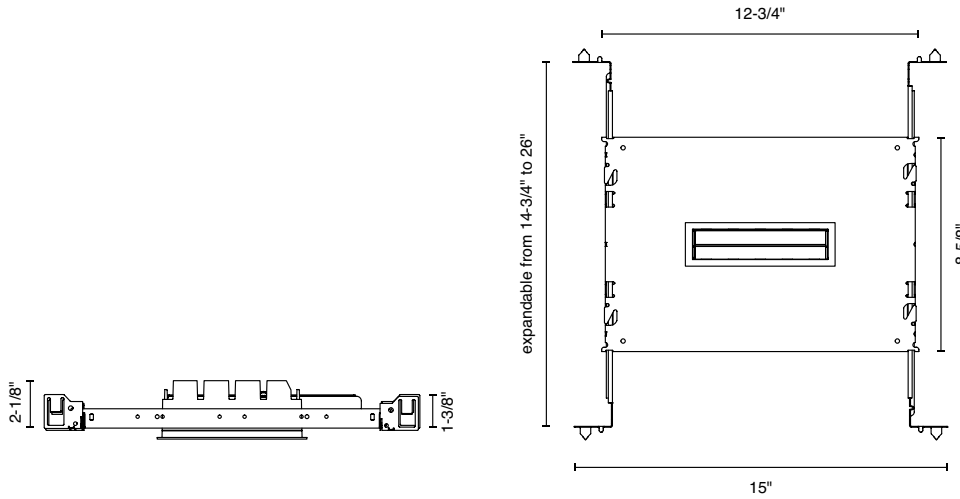


TRIMMED CEILING CUTOUT 1-1/2" X 11-3/16"
TRIMLESS CEILING CUTOUT 2-1/8" X 11-3/4"

MOUNTING OPTIONS

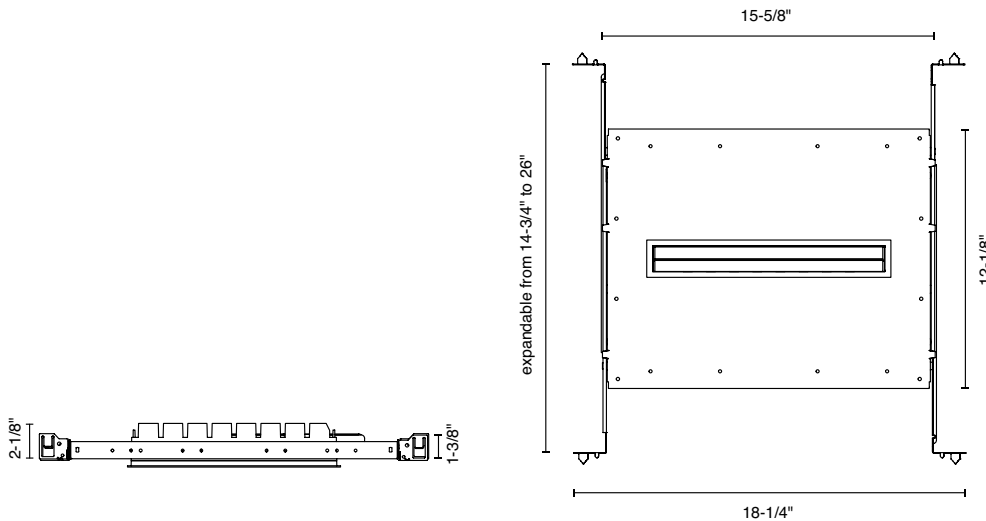
NC - NEW CONSTRUCTION

DW5 TRIM



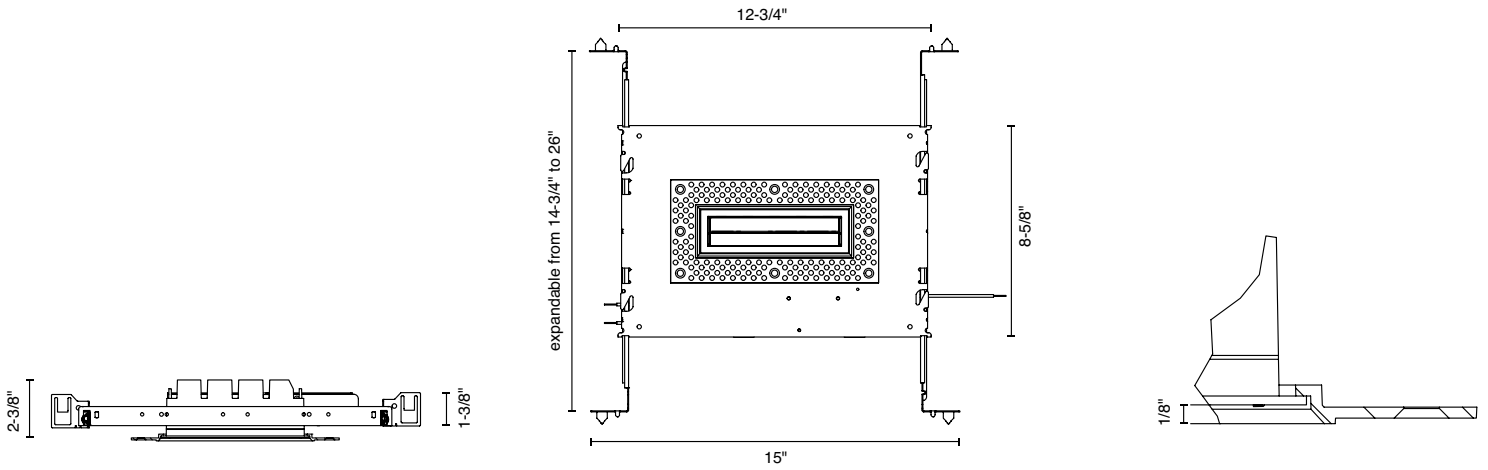
NC - NEW CONSTRUCTION

DW10 TRIM

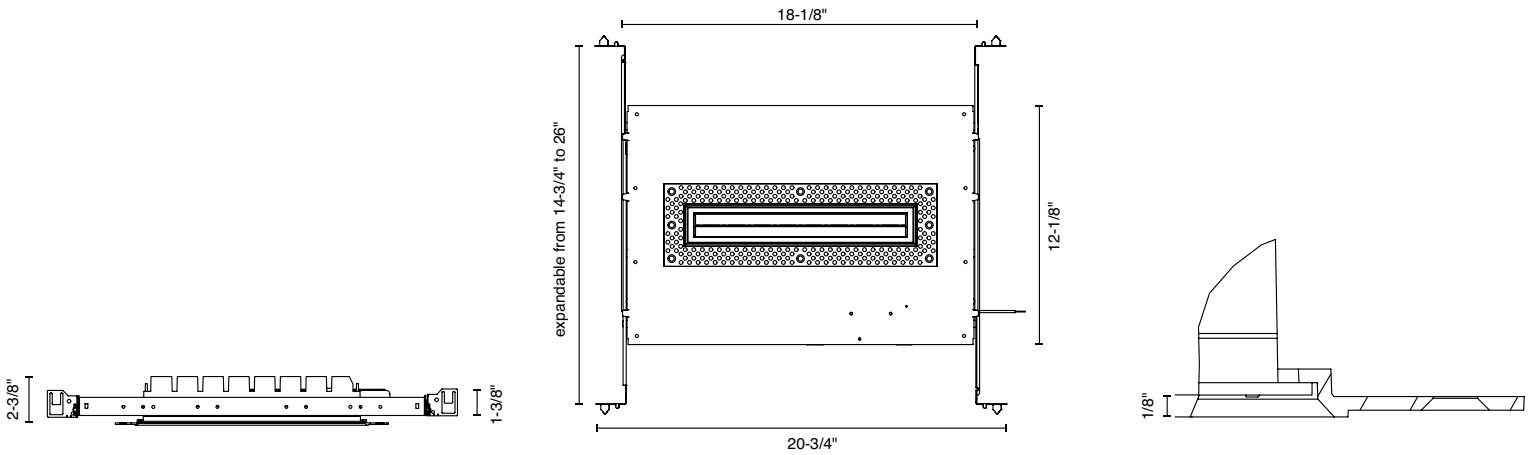


MOUNTING OPTIONS (CONTINUED)

NC - NEW CONSTRUCTION DW5 TRIMLESS

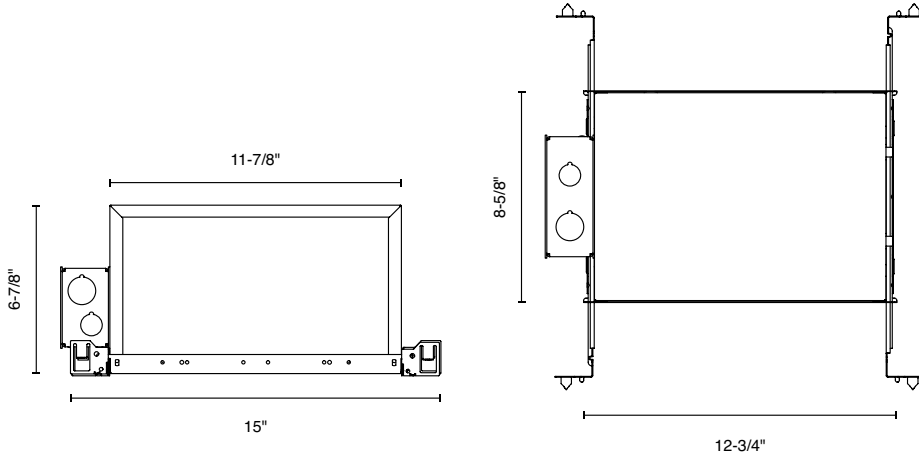


NC - NEW CONSTRUCTION DW10 TRIMLESS

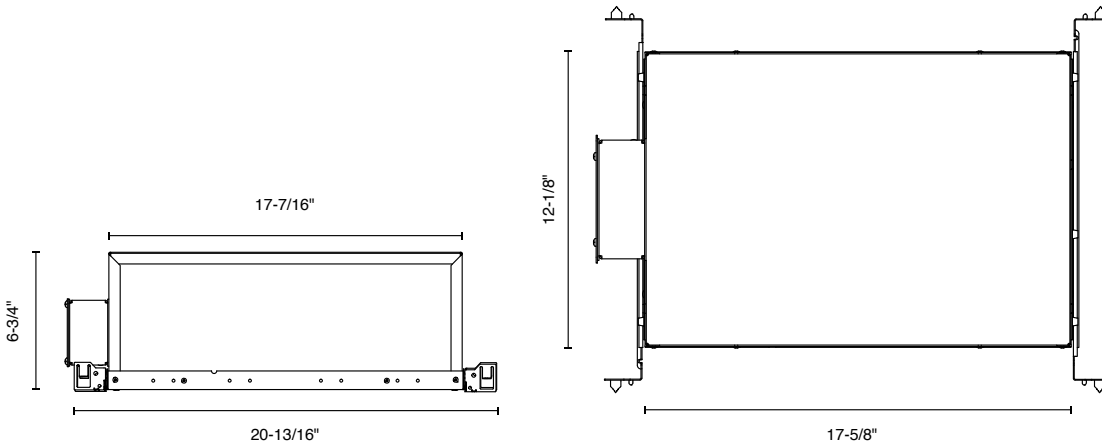


MOUNTING OPTIONS (CONTINUED)

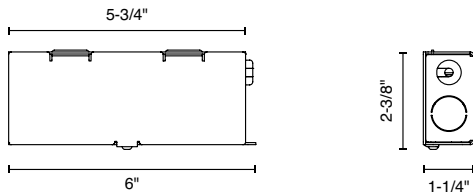
IC - INSULATION CONTACT HOUSING
CP - CHICAGO PLENUM
ICAT - INSULATION CONTACT / AIR TIGHT
DW5



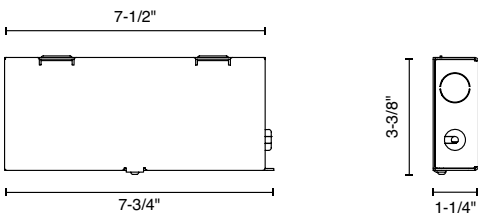
IC - INSULATION CONTACT HOUSING
CP - CHICAGO PLENUM
ICAT - INSULATION CONTACT / AIR TIGHT
DW10



RET - RETROFIT
DW5 ELV DIMMING



RET - RETROFIT
DW10 ELV DIMMING
DW5/DW10 DIM10



APPLICATION EXAMPLE

FOOTCANDLES OF FIVE DW10 FIXTURES, 4' ON CENTER, 2' OFF THE WALL

