

JOB NAME _____

CONTACT _____

ORDERING CODE _____

ORDERING CODE



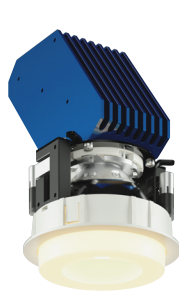
SERIES	NU3	
TYPE	RD	round downlight
LED	XTM19	XICATO XTM 19mm
DELIVERED LUMENS	07LM 10LM 13LM 20LM 27LM ²	530 lm 680 lm 1040 lm 1290 lm 1750 lm
CCT	27K 30K 35K 40K	2700K 3000K 3500K 4000K
CRI	83 90 98	83 CRI 90 CRI 98 CRI
LITEOPTIC	CQR-S15 CQR-S30 CQR-D40 DPR-S20 DPR-D35 DPR-HE50	15° CIRQUE RING with clear lens 30° CIRQUE RING with clear lens 40° CIRQUE RING with diffused lens 20° DROP RING with clear lens 35° DROP RING with clear lens 50° DROP RING with diffused lens
VOLTAGE	120 UNV	120V 120V-277V
DIMMING	DIM10 ⁴ DIM10Z ⁴ DALI ⁴ DALIZ ⁴ LUT ⁶ LUTP ⁶ ELV ⁵	eldoLED flicker free 0-10V dimming to 1% eldoLED flicker free 0-10V dimming to 0% eldoLED flicker free DALI dimming to 1% eldoLED flicker free DALI dimming to 0% Lutron Hi-lume Ecosystem dimming to 1%, Soft-on & Fade-to-Black Lutron Hi-lume Premier Ecosystem dimming to 0.1%, Soft-on & Fade-to-Black leading & trailing edge dimming (Triac/ELV)
MOUNTING OPTIONS	NC IC ¹ ICAT ¹ CP ¹ RET	new construction with ceiling fitting plate insulation contact housing insulation contact/airtight housing chicago plenum housing retrofit, no ceiling fitting plate
TRIM COLOR	BK WH MC BZ WT	black white matte chrome bronze wheat
ELECTRICAL OPTIONS	EM7 EM12 ³	emergency battery backup, 90 minutes at 7W to LED emergency battery backup, 90 minutes at 12W to LED

NU3" Round Downlight LiteOptics Xicato

XICATO



eldoLED
your product | our drive



NU3RD Optic CQR



NU3RD Optic DPR

DESCRIPTION

The NU3RD LiteOptics 3" recessed downlight by ALPHABET offers multiple cutting edge LED technologies, premium performance, thoughtful construction and pleasing aesthetics. Offered standard with premium dimming using EldoLED 1% flicker free drivers 120V-277V universal voltage. A minimalistic look is achieved with an ultrathin 1/16" trim that is only 5/16" wide. Complimented by premium, UV stabilized, evenly diffused PMMA optic. Several beam angles and LiteOptics available, plus an optional high-efficiency BrightView diffused lens for smooth light distribution and obscured LED image.

HOUSING

Electrocoated 16-gauge cold-rolled steel provides enhanced structural reinforcement and rust prevention. Superior, UL-certified, injection-molded commercial-grade Lexan™ (PC) is used for the frame and regressed bezel trim. Lexan provides unmatched durability and impact resistance, and is tested for UV resistance and water exposure in outdoor applications. The thermally-advanced, anodized heat sink uses 6063 aluminum alloy. Wet location rated is offered standard. A 90-minute constant-power IOTA emergency battery backup is available.

MOUNTING

An advanced mounting system allows for quick and secure installation with LED and driver serviceability from below the ceiling. The LED assembly uses die-cast aluminum mounting clamp grips (MCG) that swing out to tighten onto variable ceiling thicknesses. Integrated rubber feet on each MCG provide a non-slip vibration-resistant installation. The hidden MCG system is accessible from below ceiling by removing the snap-in lens/bezel assembly with either the included suction cup or a screwdriver blade. Integrated bar hangers feature integral toothed nails, T-bar mounting slots with locking holes, tabs for joist positioning. Retrofit mounting option allows for installation from below ceiling by use of compact driver box. No risk damaging LED or bezel assembly during installation, these are installed during last steps. Fixture and driver are easily removed for servicing after install without damaging drywall.

MOUNTING DIMENSIONS	CEILING THICKNESS	CEILING CUTOUT
Trim	1/8" to 1-1/4"	3-3/8" diameter

New Construction Bar Hangers (included)	Mounting Length: 14-3/4" to 26"
Extension Kit p/n: K20266 (ordered separately, 1 per fixture)	Extends a pair of Bar Hangers Total Mounting Length: 29" to 48"

ORDERING CODE

Follow the steps to specify your fixture, example:
NU3 - RD - XTM19 - 13LM - 35K - 98 - DPR - HE50 - 120 - DIM10 - NC - WH - EM7

XTM19 (LED)	POWER			
	DELIVERED LM	W (83 CRI)	W (90 CRI)	W (98 CRI)
530		8	10	11
680		11	14	15
1040		14	19	21
1290		20	25	27
1750		29	N/A	N/A

Power Factor ≥ 0.9

- NOTES**
- IC/ICAT/CP not available for 27LM in 83CRI, 90CRI and 98CRI. Not available for 20LM in 98CRI.
 - 27LM not available for 90CRI and 98CRI.
 - EM12 not available for 83CRI and 90CRI in 07LM, 10LM and 98CRI in 07LM.
 - Driver uses logarithmic dimming curve as standard. For linear dimming curve add "LIN" after dimming code, i.e. DIM10LIN.
 - Triac/ELV dimming not available in 07LM. Dimmable to < 10% for 10LM, 13LM and dimmable to < 1% for 20LM or 27LM in 120V only.
 - LUT/LUTP not available in 20LM or 27LM.

LISTINGS

- ETLus Listed to UL1598, cETL Listed to CSA C22.2 #250.0
- IP65 with lens - Suitable for wet locations with lens - Suitable for damp locations without lens
- Non-conductive, Lexan dead-front construction
- Made in the USA - meets the requirements of the Buy American provision within the ARRA

RATINGS / CERTIFICATIONS	NC	RET	IC	ICAT	CP
Type non-IC	✓	✓			
Type IC			✓	✓	✓
Chicago Plenum (CCEA)					✓
Suitable for air handling plenums				✓	✓
Reduced airflow (with lens) ASTM E283	✓	✓	✓	✓	✓

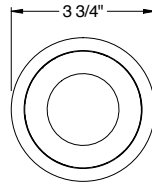
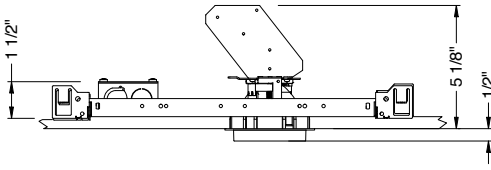
LED INFO

- SDCM = 1X2 MacAdam Ellipse, Duv +/- 0.001, Lumen Maintenance: L₉₀ > 55,000 hrs

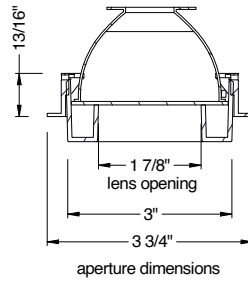
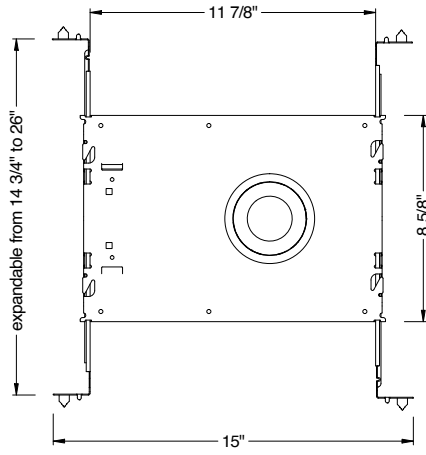
MOUNTING OPTIONS

NC - NEW CONSTRUCTION

CQR



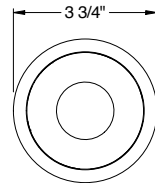
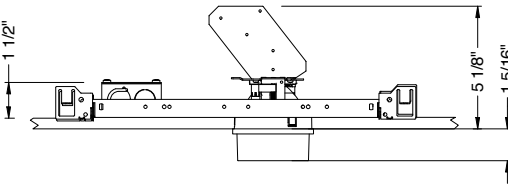
ceiling cutout
3 3/8" diameter



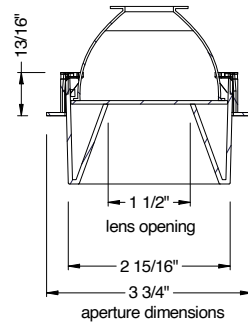
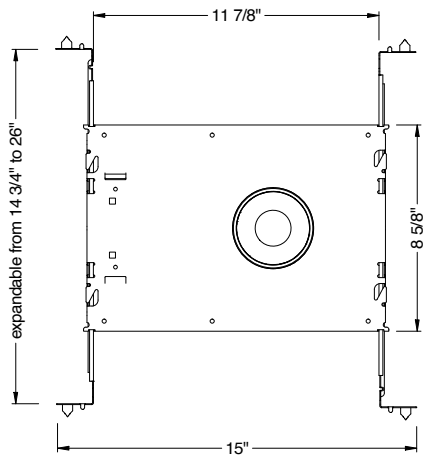
aperture dimensions

NC - NEW CONSTRUCTION

DPR



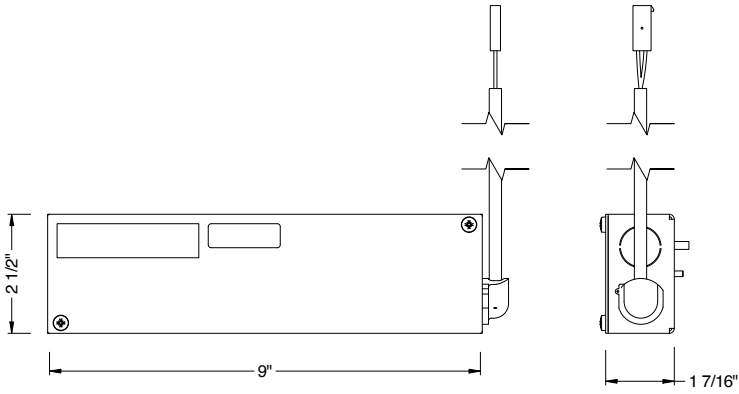
ceiling cutout
3 1/2" diameter



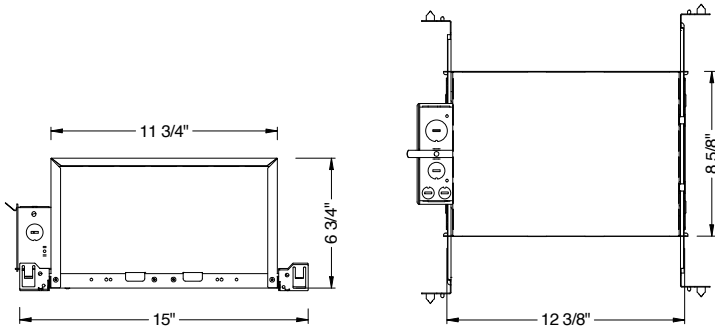
aperture dimensions

MOUNTING OPTIONS (CONTINUED)

RET - RETROFIT



IC - INSULATION CONTACT HOUSING



CP - CHICAGO PLENUM ICAT - INSULATION CONTACT / AIR TIGHT

