

JOB NAME _____

CONTACT _____

ORDERING CODE _____

LM-79

ORDERING CODE

PART NUMBER	P70414	LED driver with box
CURRENT	500	500mA
DIMMING	ECO SOLO	1% 0.1%

ZETA750 **0-10V Dimming Driver**
50W LED

ORDERING CODE _____

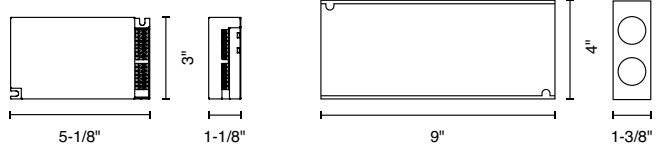
Follow the steps to specify your fixture, example:
P70414 - 500 - ECO

See Wiring Diagram on page 2.



NUMBER OF PUCKS IN SERIES (500MA AT FULL LOAD)			MAXIMUM WIRING DISTANCE FROM DRIVER TO THE FIRST PUCK AT FULL LOAD	
PUCKS	AWG VALUE	DISTANCE ¹ (FT)	AWG VALUE	DISTANCE (FT)
15	20	270	20	46
15	18	410	18	72
12	20	600	17	92
12	18	760	16	118

NOTES
1. Maximum wiring distance from the first to the last puck.



ECO or SOLO 561/S

Box

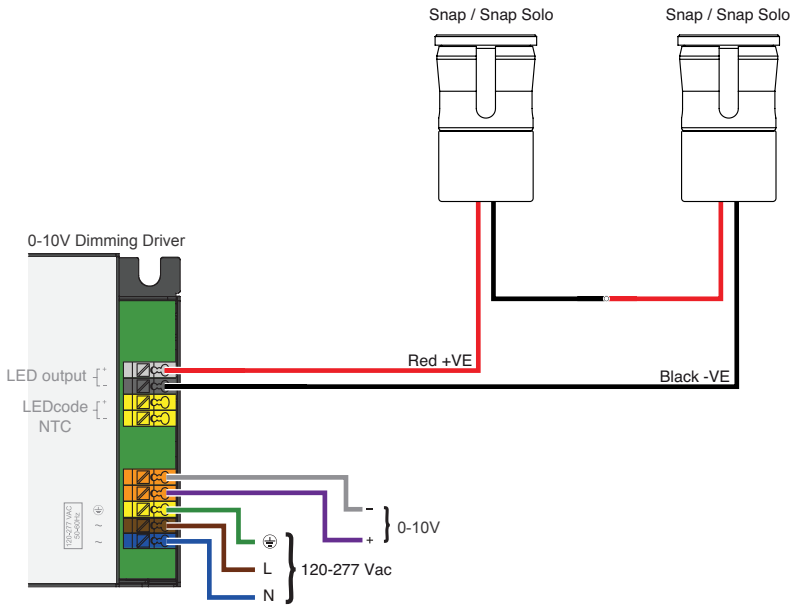
DESCRIPTION
- 0-10V dimmable protocol LED drive with smooth flicker free dimming

- TECHNICAL SPECS**
- 120-277Vac, 50/60Hz input
 - 50W max output
 - 500mA DC constant current output per channel
 - 2-55Vdc output per channel
 - ECO 1% dimming - 1 channel output
 - Solo 0.1% dimming - 2 channel output
 - 0-10V compatible
 - Operating temperature: -4°F to 122°F
 - Class II rated
 - Suitable for use in damp and dry locations
 - Short circuit protection
 - Overload protection
 - Over-voltage protection
 - Thermal protection
 - Box: Length = 9", Width = 4", Height = 1-3/8"
 - Driver: Length = 5-1/8", Width = 3", Height = 1-1/8"

- LISTINGS**
- ETLus Listed to UL2108 (suitable for dry and damp locations)
 - cETL Listed to CSA C22.2 #250.0

WIRING DIAGRAMS

ECO



SOLO

