

JOB NAME \_\_\_\_\_

CONTACT \_\_\_\_\_

ORDERING CODE \_\_\_\_\_

## Zeta750 Snap Solo

Recessed - Integrated Heat Sink - Snap In  
Static White



### DESCRIPTION

Zeta750 Snap Solo features an integrated heat sink for installation in a range of materials from metallic to wood.

Zeta750 Snap Solo features a patented design with a collapsible thread. With one easy push, the module snaps securely into the rail. Removal is only possible with a unique extraction tool. Most cost effective rail solution on the market. Field or OEM handrail installation. Curved face available, consult factory. Series shunt bypass ensures remaining operate if single puck failure (exception: RGBW).

### HOUSING

Extremely durable 316 stainless steel marine grade electro-polished housing, with 3.5" (90mm) 20AWG wire leads

### MOUNTING

- Install in a range of materials from metallic to wood. Luminaire is for use in non-insulated recessed surfaces
- Flat mounting surface
- Through hole required for wiring in alternate materials
- Aperture - 15mm or 15mm + (16mm x 0.5mm) counterbore (required for flush finish)

### ELECTRICAL/LED Driver

- 3Vdc, 500mA, 1.5W (Remote Driver Required)
- Cool splice connector included
- Ambient operating temperature: -40°C to + 55°C
- Series shunt bypass ensures remaining operate if single puck failure (exception: RGBW)

### LISTINGS

- ETLus Listed to UL2108 (suitable for wet locations)
- cETL Listed to CSA C22.2 #250.0
- Impact tested to IK10 (EN62262) PC lens only
- IP65 rated with PC lens
- IP67 rated with Borosilicate glass lens
- 3000k or warmer must be selected for International Dark-Sky Association approval.

### LED INFO

- LED: Cree Xlamp® XP-G3  
Cree Xlamp® XP-GA (Amber-590nm \*Dominant Wavelength\* complies with Wildlife and Marine Turtle safelighting requirements)
- Duv: 0.001
- CCT: 2700K, 3000K, 3500K, 4000K, amber
- CRI: >80
- Lumen Maintenance: L<sub>90</sub> > 90,700 hrs
- Warranty: 5 year limited warranty

### ORDERING CODE

SERIES	750SS	snap solo
CCT	27K 30K 35K 40K AMB	2700K 3000K 3500K 4000K amber
BEAM	ST VA	70° standard 75° asymmetric
LENS	PC BG	polycarbonate - IP65 borosilicate glass - IP67
FACE TYPE	FF	flat face

### ORDERING CODE

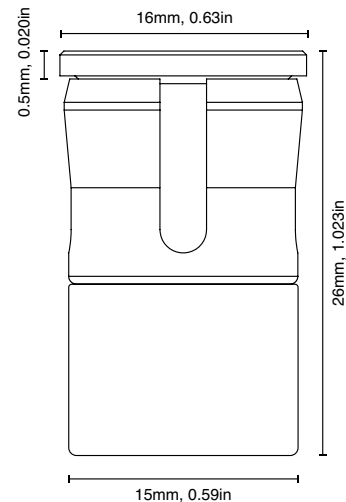
Follow the steps to specify your fixture, example:

750SS - 27K - ST - PC - FF

### LUMENS FOR ST/VA BEAM OPTION

LUMENS (LM)	CCT (K)
165	2700
170	3000
175	3500
180	4000
145	amber

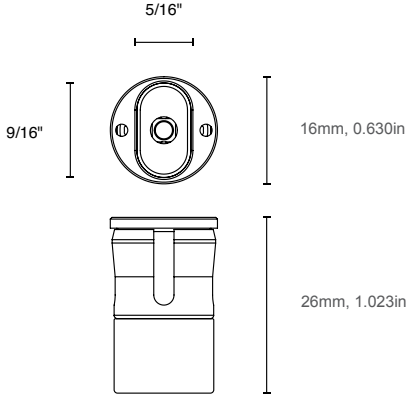
See page 4 for Design Guide.



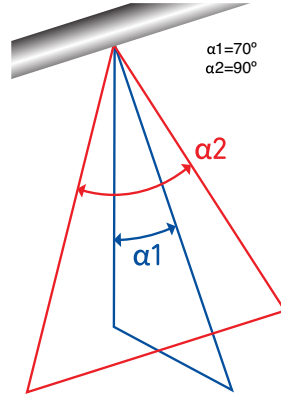
**STANDARD BEAM**

ZETA750 Snap Solo Standard Beam has an elliptical symmetric distribution. Snap Solo is available in a range of standard distributions and special angles on request. Asymmetrical beam, see page 3.

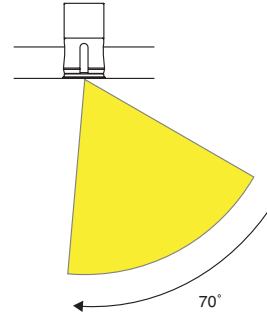
ZETA750 SNAP SOLO ST  
FLAT FACE DETAIL



ZETA750 SNAP SOLO ST  
BEAM ALPHA 3000K

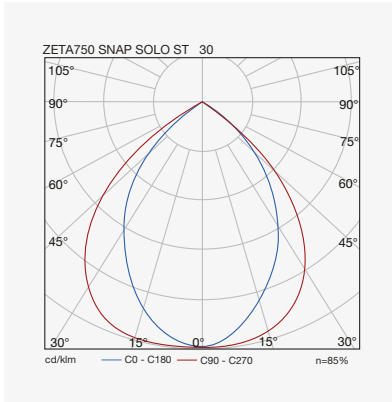


ZETA750 SNAP SOLO ST  
STANDARD BEAM



Elliptical symmetric distribution  
displayed here with a vertical mount.

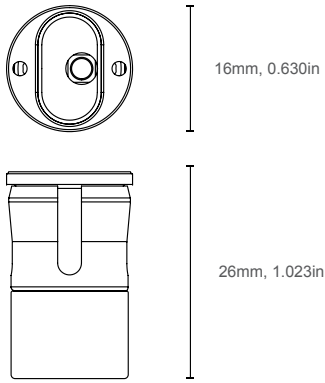
ZETA750 SNAP SOLO ST 30  
STANDARD SYMMETRICAL BEAM 3000K



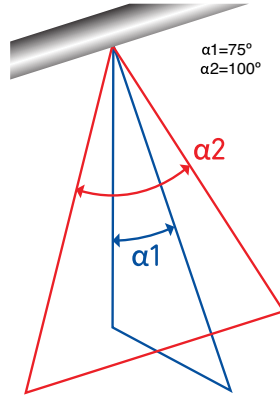
**ASYMMETRICAL BEAM**

ZETA750 Snap Solo Asymmetric has an elliptical asymmetric distribution. The asymmetric beam illuminates the path but keeps the light source out of sight. Snap Solo is available in a range of standard distributions and special angles on request.

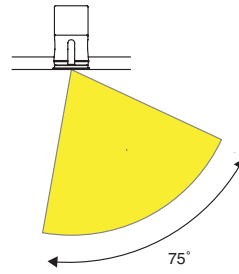
ZETA750 SNAP SOLO VA  
FLAT FACE DETAIL



ZETA750 SNAP SOLO VA  
BEAM ALPHA 3000K

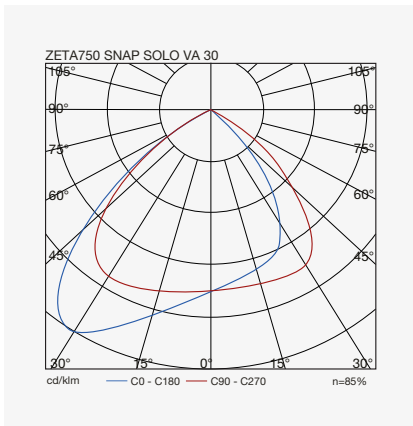


ZETA750 SNAP SOLO VA  
ASYMMETRICAL BEAM



Elliptical asymmetric distribution displayed here with a vertical mount

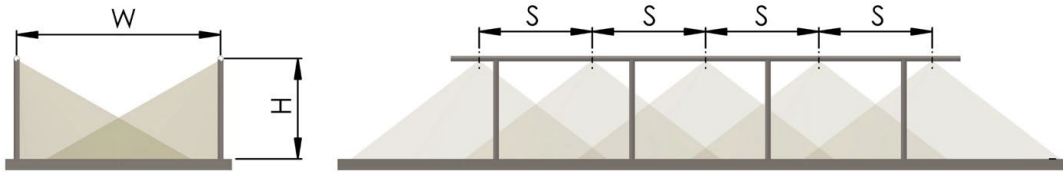
ZETA750 SNAP SOLO VA 30  
ASYMMETRICAL BEAM 3000K



**SPACING GUIDE**

The following guide is intended to help designers and engineers with desired foot-candle levels. The drawing to the right shows a typical installation into a handrail. The tables list the average foot-candles at a variety of path widths and LED spacings

TYPICAL INSTALLATION



Height (H) is at 3'-1/4"

**STATIC WHITE - STANDARD BEAM IP65-67: LIGHT FROM BOTH SIDES**

PATH WIDTH (W)	4ft	6.5ft	10ft	13ft
LED SPACING (S)	fc	fc	fc	fc
1.5ft	32	19	13	10
3ft	16	10	6	5
6.5ft	8	5	3	2

fc = average foot-candles  
CCT = 3000K  
NOTE: Calculations indicated are with LED module installed at 30° offset from vertical down axis.

**STATIC WHITE - ASYMMETRICAL BEAM IP65-67: LIGHT FROM BOTH SIDES**

PATH WIDTH (W)	4ft	6.5ft	10ft	13ft
LED SPACING (S)	fc	fc	fc	fc
1.5ft	27	16	11	8
3ft	14	8	5	4
6.5ft	7	4	3	2

fc = average foot-candles  
CCT = 3000K  
NOTE: Calculations indicated are with LED module in vertical down position.

## ZETA750 SNAP TOOL KIT - FOR ROUND OR SQUARE HANDRAIL



Product Number: 750-TOOL KIT ZETA SNAP

- 1 1 x Drill Jig unit pre-installed with 1 x 15 and 16mm cutters
- 2 1 x Flat Face Spacer (for use ONLY with Flat face / Square Pipe).  
Not Shown.
- 3 1 x Drilling manual (this guide)
- 4 2 x 15mm cutters (spares)
- 5 1 x 16mm cutter (spare)
- 6 1 x Cutter removal tool (double-sided)
- 7 1 x 2mm Allen (hex) key
- 8 2 x cutting lubricant
- 9 1 x AF 10mm nut driver
- 10 1 x 10mm wrench
- 11 1 x Insertion pliers
- 12 1 x File

\* Not shown, wire crimping pliers.

### Purchases

- It is strongly recommended to purchase a kit or multiple kits for larger projects or projects with several phases.
- Additional drill bits jig assemblies can be purchased at nominal cost to replace worn or ineffective parts. CONSULT FACTORY.

## NO TOOL KIT REQUIRED - FOR FLAT SURFACES

- Drill 15mm hole in mounting surface