



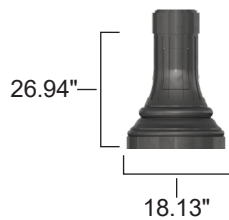
DECORATIVE BASES
designed with
CLASSIC ELEGANCE

- Traditional styling and clean lines that enhance any environment
- Clamshell design for quick, easy assembly
- Custom heights available
- Classic historic design
- Clean, crisp details
- Provided with stainless steel hardware
- Tamper proof hardware available as special order
- Long-lasting finish available in a variety of colors
- Install on existing poles to enhance streetscape

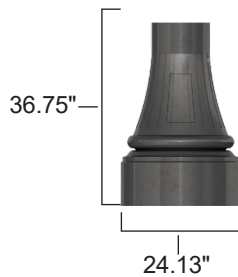
Model 3V24AC Shown

Pole Range: 4.00" - 17.00" Tapered

Model: 3V18AC



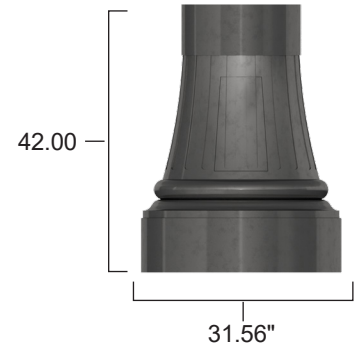
3V24AC



3V25AC



3V32AC



28800 Ida Street, Valley NE, 69064 | valmontstructures.com | 800.825.6668