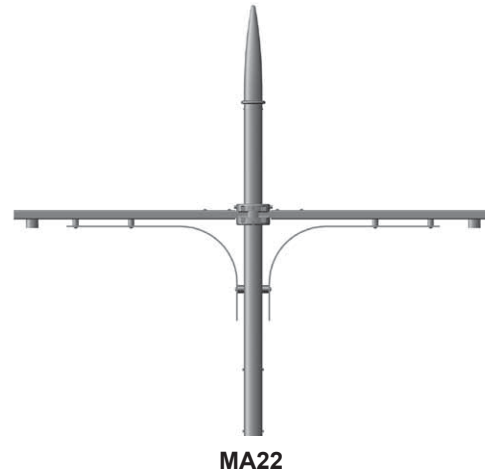
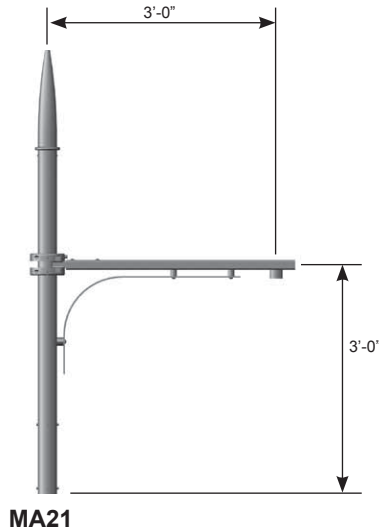


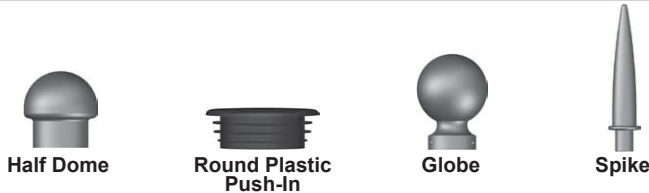
| | |
|---|--------------------------------------|
| Job Name: _____ | Client Name: _____ |
| Job Location - City: _____ State: _____ | Created By: _____ Date: _____ |
| Product: _____ Quote: _____ | Customer Approval: _____ Date: _____ |

SPECIFICATIONS



| ARM TYPE | ARM ATTACHMENT | EPA (SQ. FT) | WEIGHT (LBS) | MODEL NUMBER |
|---------------|-------------------------|--------------|--------------|--------------|
| Single | 2.38" OD x 12.00" Tenon | 2.6 | 58 | MA21 |
| Double - 180° | 2.38" OD x 12.00" Tenon | 3.7 | 85 | MA22 |

FINIALS



PRODUCT ORDERING CODES

| DESIGN SERIES | MODEL NUMBER | LUMINAIRE MOUNTING | VERTICAL UPRIGHT COLOR* | LUMINAIRE ARM COLOR* | FINIAL | FINIAL COLOR* | OPTIONS |
|---------------|--------------|---|-------------------------|--|--|---------------|--|
| PTS | MA21 MA22 | D2 = 1.50" NPS Coupling T2 = 2.38" OD x 3.00" T3 = 3.00" OD x 3.00" ST = Special Tenon (Specify) | V | STEEL WH = White ST = Sandstone BK = Black SM = Silver Metallic SL = Silver LG = Light Gray SG = Slate Gray DT = Dark Tan MB = Medium Bronze CB = Bronze DB = Dark Bronze BN = Brown HG = Hunter Green DG = Dark Green RD = Red SC = Special Color (Contact Factory) | D = Half Dome F = Round Plastic Push-In G = Globe S = Spike | | See Accessories at valmontstructures.com (Please Specify) |

* Decorative scroll is finished in the color selected for the luminaire arm.