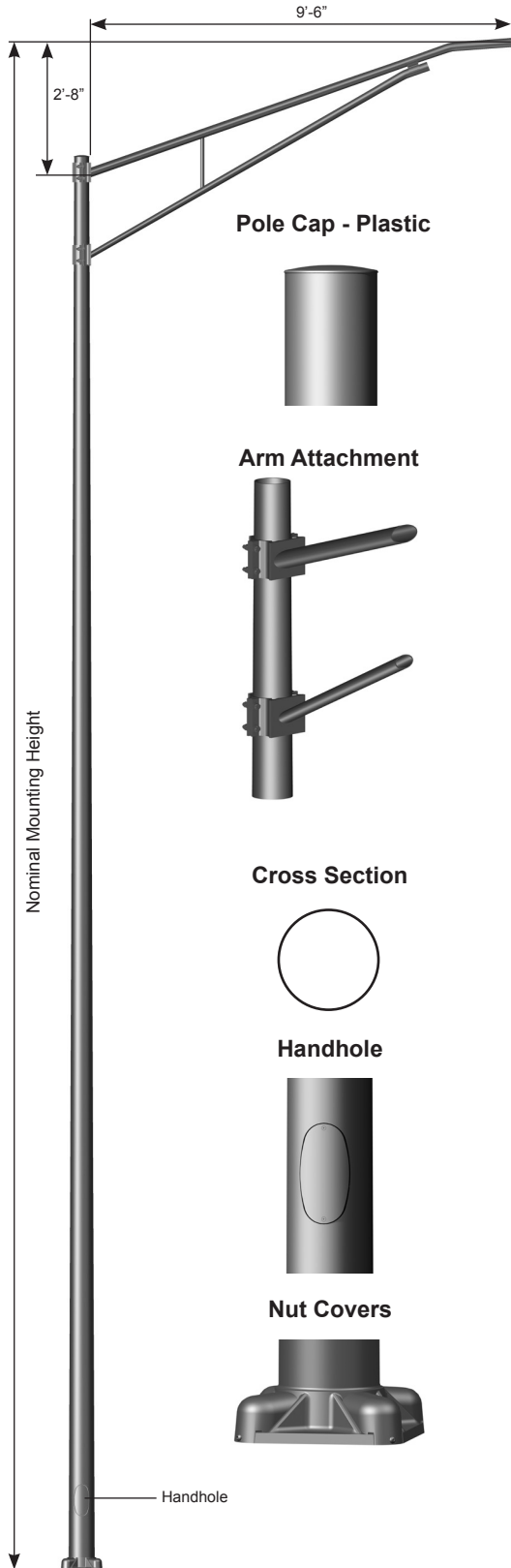


Job Name: _____	Client Name: _____
Job Location - City: _____ State: _____	Created By: _____ Date: _____
Product: _____ Quote: _____	Customer Approval: _____ Date: _____



**SPECIFICATIONS**

**Pole** - The pole shaft is extruded from seamless alloy aluminum.

**Pole Top** - A removable pole cap is provided.

**Luminaire Arm** - Luminaire arms are conically tapered from seamless alloy aluminum to 2.38" OD at the luminaire end.

**Luminaire Arm Attachment** - Connection allows arm to be erected and held in place by gravity and secured by eight bolts, lock washers, flat washers and hex nuts.

**Handhole** - A covered handhole with hardware and grounding provision are provided.

**Base Cover** - Optional decorative base covers available as special order.

**Anchor Base** - The anchor base is cast from 356 alloy aluminum. The completed assembly is heat-treated to a T6 temper. Aluminum nut covers are included with anchor base unless otherwise specified.

**Anchor Bolts** - Anchor bolts conform to ASTM F1554 Grade 55 and are provided with two hex nuts and two flat washers. Bolts have an "L" bend on one end and are galvanized a minimum of 12" on the threaded end.

**Hardware** - All structural and non-structural fasteners are stainless steel.

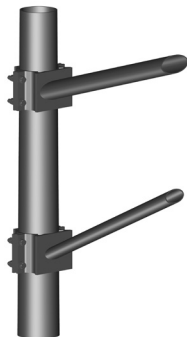
**Finish** - The standard finish for the pole assembly and components is satin brushed, natural anodize, duranodic or polyester powder applied coating in accordance with Valmont's Specifications. Additional finish options available upon request.

**Design Criteria** - Please reference Design Criteria Specification for appropriate design conditions.

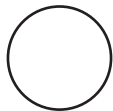
**Pole Cap - Plastic**



**Arm Attachment**



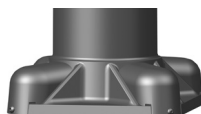
**Cross Section**



**Handhole**



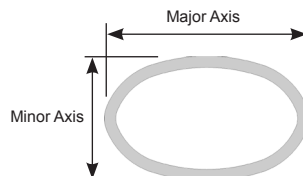
**Nut Covers**



Handhole

**ARM DATA**

**Ovalized Arm Cross Section**



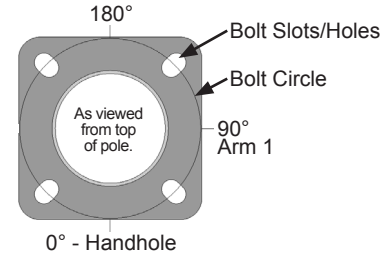
# ROUND TAPERED ALUMINUM Elliptical Truss Arm 10' Single - Clamp Mount

Job Name: _____	Client Name: _____
Job Location - City: _____ State: _____	Created By: _____ Date: _____
Product: _____ Quote: _____	Customer Approval: _____ Date: _____

## ANCHORAGE DATA

POLE		BASE PLATE				ANCHOR BOLTS			
BASE OD (IN)	WALL THK (IN)	BOLT CIRCLE		SQUARE (IN)	THK (IN)	DIA x LENGTH x HOOK (IN)	PROJECTION (IN)	± (IN)	
		DIA (IN)	± (IN)						
8.00	0.156	11.63	0.37	12.05	0.750	1.00 x 36.00 x 4.00	4.13	N/A	
8.00	0.188	11.63	0.37	12.05	0.750	1.00 x 36.00 x 4.00	4.13	N/A	
8.00	0.250	11.63	0.37	12.05	0.750	1.00 x 36.00 x 4.00	4.13	N/A	
9.00	0.156	13.25	0.75	12.48	1.250	1.00 x 36.00 x 4.00	4.13	N/A	
9.00	0.188	13.25	0.75	12.48	1.250	1.00 x 36.00 x 4.00	4.13	N/A	
10.00	0.188	14.25	0.75	13.19	1.250	1.00 x 36.00 x 4.00	4.75	N/A	

Anchor Base Detail



## LOAD AND DIMENSIONAL DATA

NOMINAL MOUNTING HEIGHT	MAX WEIGHT <sup>1</sup> (LBS)	DESIGN INFORMATION					POLE HEIGHT	POLE DIMENSIONS				STRUCTURE WEIGHT <sup>2</sup> (LBS)	MODEL NUMBER
		70 MPH w/1.3 GUST	80 MPH w/1.3 GUST	90 MPH w/1.3 GUST	100 MPH w/1.3 GUST	110 MPH w/1.3 GUST		BASE OD (IN)	TOP OD (IN)	WALL THK (IN)			
		MAX EPA <sup>1</sup> (SQ FT)	MAX EPA <sup>1</sup> (SQ FT)	MAX EPA <sup>1</sup> (SQ FT)	MAX EPA <sup>1</sup> (SQ FT)	MAX EPA <sup>1</sup> (SQ FT)							
25'-0"	70	6.0	6.0	5.8	4.7	3.9	22'-8"	8.00	4.50	0.156	119	1TA1032C-220845805T4	
30'-0"	55	6.0	6.0	5.6	4.0	2.8	27'-8"	8.00	4.50	0.156	137	1TA1032C-270845805T4	
	65	6.0	6.0	5.8	4.7	3.9	27'-8"	9.00	4.50	0.156	150	1TA1032C-270845905T4	
35'-0"	70	6.0	6.0	5.8	4.7	3.9	32'-8"	8.00	4.50	0.188	156	1TA1032C-270845806T4	
	50	6.0	4.8	3.0	1.8	1.0	32'-8"	8.00	4.50	0.156	156	+1TA1032C-320845805T4	
	60	6.0	6.0	4.8	3.3	2.2	32'-8"	8.00	4.50	0.188	180	1TA1032C-320845806T4	
	60	6.0	6.0	5.6	3.9	2.6	32'-8"	9.00	4.50	0.156	171	+1TA1032C-320845905T4	
	70	6.0	6.0	5.8	4.7	3.9	32'-8"	9.00	4.50	0.188	197	1TA1032C-320845906T4	
39'-0"	75	6.0	6.0	5.8	4.7	3.9	32'-8"	8.00	4.50	0.250	225	1TA1032C-320845808T4	
	55	6.0	4.7	2.9	1.7	0.8	36'-8"	8.00	4.50	0.188	202	+1TA1032C-360845806T4	
	55	6.0	5.6	3.6	2.2	1.2	36'-8"	9.00	4.50	0.156	192	+1TA1032C-360845905T4	
	70	6.0	6.0	5.7	3.9	2.6	36'-8"	9.00	4.50	0.188	221	+1TA1032C-360845906T4	
	75	6.0	6.0	5.8	4.1	2.8	36'-8"	8.00	4.50	0.250	253	1TA1032C-360845808T4	
	75	6.0	6.0	5.8	4.7	3.9	36'-8"	10.00	6.00	0.188	252	1TA1032C-360860106T4	

1. EPA represents the Effective Projected Area of each luminaire. Designs are limited to one luminaire per arm. Variations from sizes above are available upon inquiry at the factory. Satisfactory performance of poles is dependent upon the pole being properly attached to a supporting foundation of adequate design.  
 2. Structure weight is a nominal value which includes the pole shaft, base plate and luminaire arm(s).  
 + Pole includes factory installed vibration damper.

## PRODUCT ORDERING CODES

CROSS SECTION	MODEL NUMBER	COLOR	OPTIONS	
R				
R = Round	1TA01032C-220845805T4 1TA01032C-270845805T4 1TA01032C-270845905T4 1TA01032C-270845806T4 +1TA01032C-320845805T4 1TA01032C-320845806T4 +1TA01032C-320845905T4 1TA01032C-320845906T4 +1TA01032C-320845808T4 +1TA01032C-360845806T4 +1TA01032C-360845905T4 +1TA01032C-360845906T4 1TA01032C-360845808T4 1TA01032C-360860106T4	<b>Polyester Powder</b> DWH = White DSS = Sandstone BR = Burgundy HG = Hunter Green DNA = Natural Aluminum DCG = Charcoal Gray DMB = Medium Bronze SBN = Sanded Brown DNB = New Dark Bronze DDB = Dark Bronze SBK = Sanded Black DBL = Black DSB = Steel Blue DTG = Dark Green DBR = Red SC = Special Color (Contact Factory)	<b>Anodized</b> 204 = Clear Natural 311 = Light Bronze* 312 = Medium Bronze* 313 = Dark Bronze* 335 = Black* *Duranodic Anodize  <b>Brushed</b> SBF = Satin Brushed	See Accessories at valmontstructures.com (Please Specify with Code)