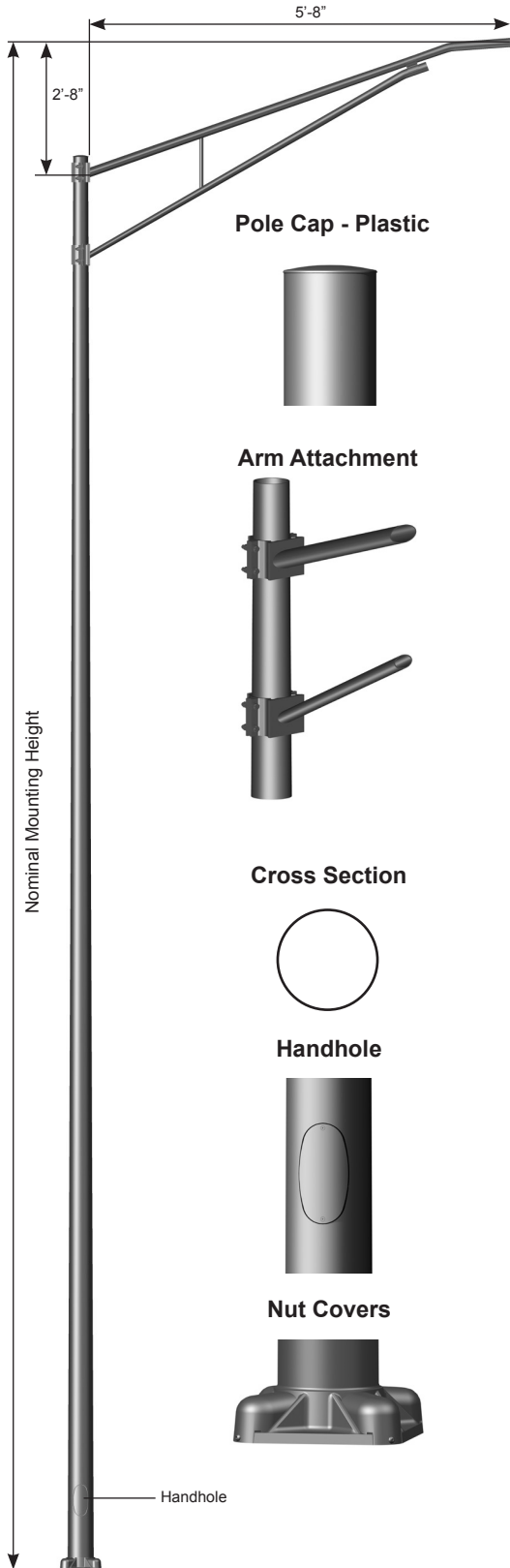


Job Name: _____	Client Name: _____
Job Location - City: _____ State: _____	Created By: _____ Date: _____
Product: _____ Quote: _____	Customer Approval: _____ Date: _____



SPECIFICATIONS

Pole - The pole shaft is extruded from seamless alloy aluminum.

Pole Top - A removable pole cap is provided.

Luminaire Arm - Luminaire arms are conically tapered from seamless alloy aluminum to 2.38" OD at the luminaire end.

Luminaire Arm Attachment - Connection allows arm to be erected and held in place by gravity and secured by eight bolts, lock washers, flat washers and hex nuts.

Handhole - A covered handhole with hardware and grounding provision are provided.

Base Cover - Optional decorative base covers available as special order.

Anchor Base - The anchor base is cast from 356 alloy aluminum. The completed assembly is heat-treated to a T6 temper. Aluminum nut covers are included with anchor base unless otherwise specified.

Anchor Bolts - Anchor bolts conform to ASTM F1554 Grade 55 and are provided with two hex nuts and two flat washers. Bolts have an "L" bend on one end and are galvanized a minimum of 12" on the threaded end.

Hardware - All structural and non-structural fasteners are stainless steel.

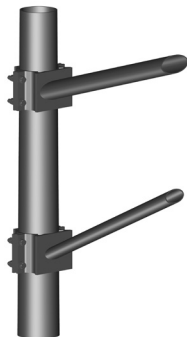
Finish - The standard finish for the pole assembly and components is satin brushed, natural anodize, duranodic or polyester powder applied coating in accordance with Valmont's Specifications. Additional finish options available upon request.

Design Criteria - Please reference Design Criteria Specification for appropriate design conditions.

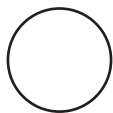
Pole Cap - Plastic



Arm Attachment



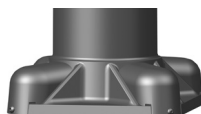
Cross Section



Handhole

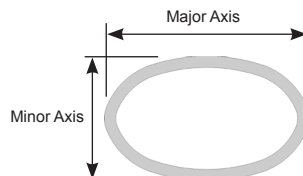


Nut Covers



ARM DATA

Ovalized Arm Cross Section



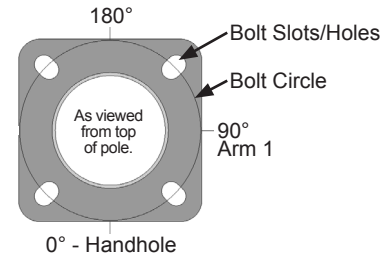
ROUND TAPERED ALUMINUM Elliptical Truss Arm 6' Single - Clamp Mount

Job Name: _____	Client Name: _____
Job Location - City: _____ State: _____	Created By: _____ Date: _____
Product: _____ Quote: _____	Customer Approval: _____ Date: _____

ANCHORAGE DATA

POLE		BASE PLATE				ANCHOR BOLTS		
BASE OD (IN)	WALL THK (IN)	BOLT CIRCLE		SQUARE (IN)	THK (IN)	DIA x LENGTH x HOOK (IN)	PROJECTION (IN)	± (IN)
		DIA (IN)	± (IN)					
6.00	0.156	9.50	0.75	10.32	0.630	0.75 x 17.00 x 3.00	3.50	N/A
6.00	0.188	9.50	0.75	10.32	0.630	0.75 x 17.00 x 3.00	3.50	N/A
7.00	0.156	10.56	0.43	11.26	0.750	1.00 x 36.00 x 4.00	4.13	N/A
8.00	0.156	11.63	0.37	12.05	0.750	1.00 x 36.00 x 4.00	4.13	N/A
8.00	0.188	11.63	0.37	12.05	0.750	1.00 x 36.00 x 4.00	4.13	N/A
8.00	0.250	11.63	0.37	12.05	0.750	1.00 x 36.00 x 4.00	4.13	N/A
9.00	0.156	13.25	0.75	12.48	1.250	1.00 x 36.00 x 4.00	4.13	N/A
9.00	0.188	13.25	0.75	12.48	1.250	1.00 x 36.00 x 4.00	4.13	N/A

Anchor Base Detail



LOAD AND DIMENSIONAL DATA

NOMINAL MOUNTING HEIGHT	MAX WEIGHT ¹ (LBS)	DESIGN INFORMATION					POLE DIMENSIONS					MODEL NUMBER
		70 MPH w/1.3 GUST	80 MPH w/1.3 GUST	90 MPH w/1.3 GUST	100 MPH w/1.3 GUST	110 MPH w/1.3 GUST	POLE HEIGHT	BASE OD (IN)	TOP OD (IN)	WALL THK (IN)	STRUCTURE WEIGHT ² (LBS)	
		MAX EPA ¹ (SQ FT)	MAX EPA ¹ (SQ FT)	MAX EPA ¹ (SQ FT)	MAX EPA ¹ (SQ FT)	MAX EPA ¹ (SQ FT)						
25'-0"	65	6.0	5.4	3.5	2.3	1.6	22'-8"	6.00	4.00	0.156	88	1TA0632C-220840605T4
	75	6.0	6.0	5.1	3.6	2.6	22'-8"	7.00	4.00	0.188	100	1TA0632C-220840606T4
	75	6.0	6.0	6.0	4.8	3.6	22'-8"	7.00	4.00	0.156	96	1TA0632C-220840705T4
	75	6.0	6.0	6.0	6.0	6.0	22'-8"	8.00	4.50	0.156	107	1TA0632C-220845805T4
30'-0"	65	6.0	5.5	3.6	2.3	1.5	27'-8"	7.00	4.00	0.156	112	+1TA0632C-270840705T4
	75	6.0	6.0	6.0	4.8	3.5	27'-8"	8.00	4.50	0.156	125	1TA0632C-270845805T4
	75	6.0	6.0	6.0	6.0	5.6	27'-8"	9.00	4.50	0.156	138	1TA0632C-270845905T4
35'-0"	75	6.0	5.6	3.7	2.5	1.5	32'-8"	8.00	4.50	0.156	144	+1TA0632C-320845805T4
	75	6.0	6.0	5.6	4.0	2.8	32'-8"	8.00	4.50	0.188	168	1TA0632C-320845806T4
	75	6.0	6.0	6.0	4.6	3.3	32'-8"	9.00	4.50	0.156	159	+1TA0632C-320845905T4
	75	6.0	6.0	6.0	6.0	4.9	32'-8"	9.00	4.50	0.188	185	1TA0632C-320845906T4
	75	6.0	6.0	6.0	6.0	5.2	32'-8"	8.00	4.50	0.250	213	1TA0632C-320845808T4
39'-0"	75	6.0	5.4	3.5	2.3	1.3	36'-8"	8.00	4.50	0.188	190	+1TA0632C-360845806T4
	75	6.0	6.0	4.3	2.8	1.7	36'-8"	9.00	4.50	0.156	180	+1TA0632C-360845905T4
	75	6.0	6.0	6.0	4.6	3.2	36'-8"	9.00	4.50	0.188	209	+1TA0632C-360845906T4
	75	6.0	6.0	6.0	4.8	3.4	36'-8"	8.00	4.50	0.250	241	1TA0632C-360845808T4

1. EPA represents the Effective Projected Area of each luminaire. Designs are limited to one luminaire per arm. Variations from sizes above are available upon inquiry at the factory. Satisfactory performance of poles is dependent upon the pole being properly attached to a supporting foundation of adequate design.
 2. Structure weight is a nominal value which includes the pole shaft, base plate and luminaire arm(s).
 + Pole includes factory installed vibration damper.

PRODUCT ORDERING CODES

CROSS SECTION	MODEL NUMBER	COLOR	OPTIONS
R			
R = Round	1TA0632C-220840605T4 1TA0632C-220840606T4 1TA0632C-220840705T4 1TA0632C-220845805T4 +1TA0632C-270840705T4 1TA0632C-270845805T4 1TA0632C-270845905T4 +1TA0632C-320845805T4 1TA0632C-320845806T4 +1TA0632C-320845905T4 1TA0632C-320845906T4 1TA0632C-320845808T4 +1TA0632C-360845806T4 +1TA0632C-360845905T4 +1TA0632C-360845906T4 1TA0632C-360845808T4	Polyester Powder DWH = White DSS = Sandstone BR = Burgundy HG = Hunter Green DNA = Natural Aluminum DCG = Charcoal Gray DMB = Medium Bronze SBN = Sanded Brown DNB = New Dark Bronze DDB = Dark Bronze SBK = Sanded Black DBL = Black DSB = Steel Blue DTG = Dark Green DBR = Red SC = Special Color (Contact Factory)	Anodized 204 = Clear Natural 311 = Light Bronze* 312 = Medium Bronze* 313 = Dark Bronze* 335 = Black* *Duranodic Anodize Brushed SBF = Satin Brushed

See Accessories at
valmontstructures.com
(Please Specify with Code)

SPC7598 06/13 valmontstructures.com carries the most current spec information and supersedes these guidelines.