

Project Name:

Part Number:

Type:



EXIT & EMERGENCY SERIES

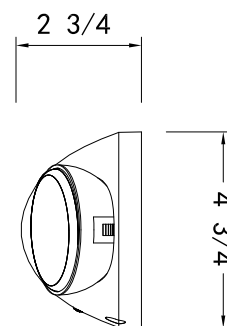
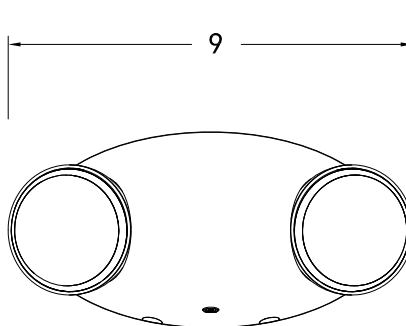
EXL EMERGENCY LIGHTS



407-478-3759
www.ilp-inc.com

FEATURES

- Dual-voltage input 120V/277V
- Standard and High Output models feature a maintenance-free NiCad battery
- (-RC) Remote-Capable model features a maintenance-free NiMH battery
- Injection-molded, high-impact, UV-stabilized, UL94 V-0 thermoplastic construction in white
- Optional (-RC) Remote-Capable version supports up to two single or one double High-Output lighting heads
- Universal J-box pattern knock-out
- Universal mounting plate with quick-connect feature
- Fully adjustable glare-free lamp heads
- Two factory-installed LED lamp heads
- Energy-saving LED lighting heads
 - Standard Output model includes two 0.6W heads
 - High Output model includes two 1.7W heads
- Temp rating: 60°-86°F (20°-30°C) damp-rated
- DOE and CEC Registered
- UL 924 Listed for damp location
- 5 year warranty on all electronics and housing
- Separate 5 year pro-rated warranty on the battery



ORDERING GUIDE:

MODEL	DESCRIPTION
EXL1-U-WS	Emergency Light, White Housing, with Battery Backup, 120V/277V, Standard Output
EXL1-U-WH	Emergency Light, White Housing, with Battery Backup, 120V/277V, High Output
EXL1-U-WH-RC ¹	Emergency Light, White Housing, with Battery Backup, 120V/277V, High Output and Remote-Capable

¹Contact factory for availability

ACCESSORIES (Ordered Separately)

EXR1-WSS	Emergency Light Remote Head, White Housing, Single Head, Standard Output
EXR1-WSD	Emergency Light Remote Head, White Housing, Double Head, Standard Output
EXR1-WHS	Emergency Light Remote Head, White Housing, Single Head, High Output
EXR1-WHD	Emergency Light Remote Head, White Housing, Double Head, High Output
EXR1-WHS-WL	Emergency Light Remote Head, White Housing, Single Head, High Output, Weatherproof
EXR1-WHD-WL	Emergency Light Remote Head, White Housing, Double Head, High Output, Weatherproof



*See EXR Remote Head cut sheet for product details