



Jump's contemporary aesthetic combines the latest lighting technologies with texture, pattern, and rhythm along an uninterrupted end to end continuum of luminance.

Jump includes AccuRender technology for the highest color quality at the highest efficacy.

Project: _____
 Location: _____
 Cat.No: _____
 Type: _____
 Line ID: _____ Qty: _____
 Notes: _____

Ordering guide

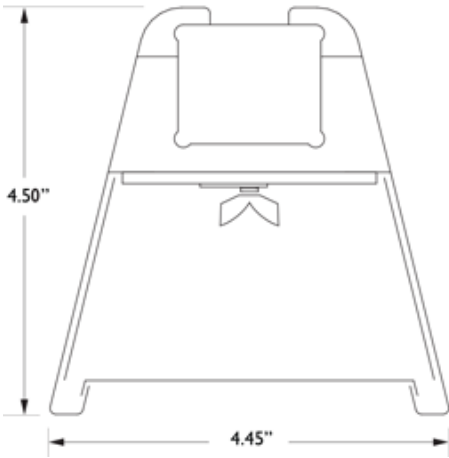
example: 1201LBCQE087DEW, A5-48

| Family | Mount | Distribution | Source | CRI/CCT ¹ | Lumens ¹ | Optics | Housing | Run Length | Wiring ² | |
|--------------------------|--------------------------|--|--|---|--|--------------------------|--|--|--|--|
| 12 | 0 | | L | | | Q | | | | |
| 12 | Jump | 0 Suspended | L LED | A CRI 90, 4000K B CRI 90, 3500K C CRI 90, 3000K | C 4900 lm/4ft E 3600 lm/4ft G 2400 lm/4ft C 4200 lm/4ft E 3100 lm/4ft G 2000 lm/4ft | Q Ribbed MesoOptics Lens | E SolidSide P PixelPerf S SplashPerf | 04 4ft 08 8ft xx Continuous Run (4ft increments) | 7 1cct Dimming E 2cct A/B Dimming (Alt. 4ft sections) M 1cct Dimming + EM Wiring N 1cct Dimming + EM Batt. Pack | |
| | | 1 Symmetric 8 Asymmetric | | | | | | | | |
| Voltage | Driver | Finish | Mount Type | | | Suspension | | | | |
| D UNV 120-277V 3 347V | E Advance 0-10V (1% Dim) | W Standard White T Titanium Silver B Black C Custom | A1 Non-accessible ceiling, 0°-15° Slope Mount A2 T-grid Fixed Position Mount A3 Non-accessible ceiling, 0°-90° Slope Mount A5 T-grid 24" Span Mount (non tegular tile only) A6-1 T-grid On-grid Mount 15/16" (non tegular tile only) A6-2 T-grid On-grid Mount 9/16" (non tegular tile only) A6-3 T-grid On-grid Mount 9/16" x 5/16" (slot tee & tegular tile) | 24 24" 48 48" 96 96" 144 144" | | | | | | |

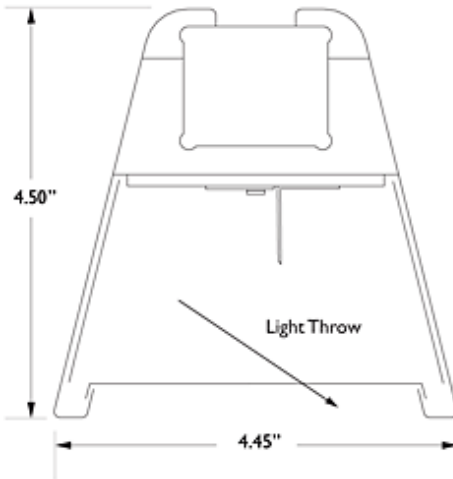
1. Nominal values within a range. Consult photometry data for CRI, color temp, lumens & distribution of chosen configuration.
 2. Not all wiring types are available with all configurations. Consult Ledalite for a complete list of available options.

Cross Section View

Symmetric

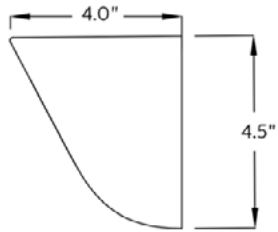
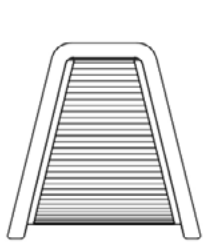


Asymmetric



Cross Section View – Endcaps

S – Luminous Sculpted (standard)

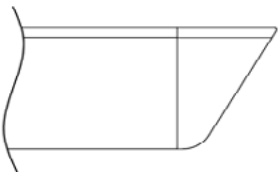


F – Flat

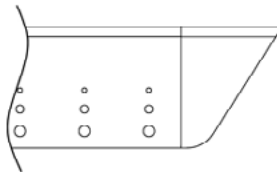


Cross Section View – Optics Details

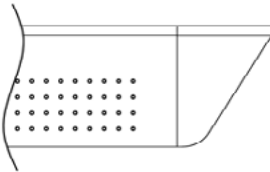
SolidSide



SplashPerf

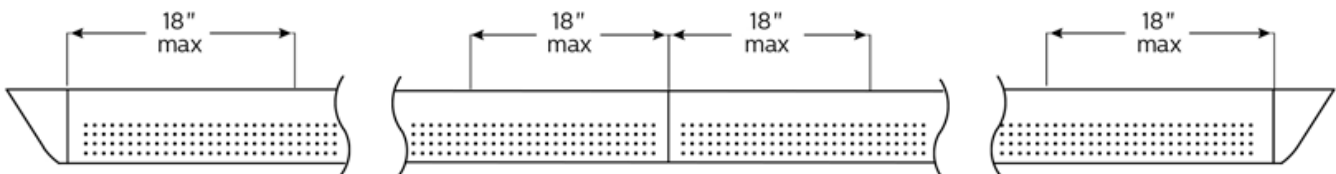


PixelPerf



Module Details & Dimensions

Mounting Run Options



Jump linear suspended

Specifications

Optical System

White light emitted from a linear array of downward facing LEDs is laterally redirected using either a biconvex lens or optical microstructures embedded in a layer of MesoOptics DX film. An extruded, ribbed acrylic lens and MesoOptics film assembly then generates an optimal batwing distribution and a uniform continuum of light.

Endcaps

Diecast aluminum, available in luminous sculpted (standard) or flat (optional).

Finish

High quality powder coated, available in matte white, black or titanium silver. Other custom colors available on request.

Housing

20 gauge cold-rolled steel, precision formed and welded with optional perforated patterns.

Weight

Maximum 3.5lb/ft.

Electrical

Factory pre-wired to section ends with quick-wire connectors.

Standard Driver

Advance Xitanium 0-10V, 1-100%. Class 2 rated output. Consult Ledalite for other available drivers.

Standard Battery Pack

Bodine, 90 min, 10W, Class 2 rated output, Emergency lumen output = 10W x luminaire efficacy x 1.1. Typical output: symmetric 1300lm, asymmetric 1100lm.

Lumen Maintenance

At an ambient temperature of 25°C, the LED lumen maintenance expectation according to IES TM-21-21 is:
L₈₀ (10k) >60,000 hrs (Reported methodology).

Source Color

LEDs rated for color rendering CRI >90, R9 >50 and fixture color accuracy within 2 SDCM.

Mounting

Variable position mounts can be installed up to 18" from each joint and end (suspended, surface, wall or cantilever). In the suspended mount, high strength aircraft cable and stainless steel gripper provide unlimited vertical adjustment and are independently tested to stringent safety standards.

Joints

Self-aligning joining system with hands-free pre-joining wire access.

Approvals

Certified to UL, CSA and IES standards.

Warranty

Signify indoor professional luminaires 5 year LED warranty: www.signify.com/warranties.

Environment

Rated for dry or damp locations in operating ambient temperatures 0-40°C (32-104°F). Certain luminaire components may be adversely affected by contaminants. Damage caused by sulfur, chlorine, petroleum based solutions or other contaminants in the area of operation are not covered under warranty. Not suitable for natatorium environments.

Due to continuing product improvements, Ledalite reserves the right to change the specifications without notice.

Photometrics**

MesoOptics + SolidSide Housing (QE) – Symmetric Distribution

Spacing Criteria: 1.12/1.56

(Click "PDF" and "IES" text to Download)

| Lumen Package | Nominal CRI & CCT | Flux (lm) | Watts (W) | Efficacy (LPW) | CRI | R9 | RP-1 VDT | Photometry Report | IES File |
|---------------|-------------------|-----------|-----------|----------------|-----|-----|---------------|---------------------|---------------------|
| 4900 lm/4ft | CRI 90, 4000K | 4896 | 45.8 | 106.9 | 90+ | 50+ | N/A | PDF | IES |
| | CRI 90, 3500K | 4826 | 45.4 | 106.3 | 90+ | 50+ | N/A | PDF | IES |
| | CRI 90, 3000K | 4602 | 45.6 | 100.9 | 90+ | 50+ | N/A | PDF | IES |
| 3600 lm/4ft | CRI 90, 4000K | 3661 | 33.0 | 110.9 | 90+ | 50+ | N/A | PDF | IES |
| | CRI 90, 3500K | 3609 | 32.6 | 110.7 | 90+ | 50+ | N/A | PDF | IES |
| | CRI 90, 3000K | 3442 | 32.8 | 104.9 | 90+ | 50+ | N/A | PDF | IES |
| 2400 lm/4ft | CRI 90, 4000K | 2320 | 19.8 | 117.2 | 90+ | 50+ | Normal spaces | PDF | IES |
| | CRI 90, 3500K | 2287 | 19.6 | 116.7 | 90+ | 50+ | Normal spaces | PDF | IES |
| | CRI 90, 3000K | 2181 | 19.7 | 110.7 | 90+ | 50+ | Normal spaces | PDF | IES |

**Photometry is measured to IES standards using CRI 80 LEDs. New AccuRender high efficacy CRI 90 LEDs will meet or exceed posted energy specifications including wattage, lumen output, and efficacy.

| CANDELA DISTRIBUTION | | | | | | Flux |
|----------------------|-----|------|-----|------|-----|--------|
| | 0 | 22.5 | 45 | 67.5 | 90 | Lumens |
| 0 | 780 | 780 | 780 | 780 | 780 | |
| 5 | 767 | 777 | 781 | 791 | 795 | 75 |
| 15 | 718 | 746 | 797 | 841 | 856 | 224 |
| 25 | 630 | 691 | 797 | 866 | 885 | 359 |
| 35 | 527 | 614 | 753 | 821 | 832 | 447 |
| 45 | 425 | 509 | 642 | 673 | 663 | 454 |
| 55 | 317 | 372 | 451 | 437 | 420 | 364 |
| 65 | 195 | 221 | 249 | 233 | 223 | 228 |
| 75 | 94 | 102 | 105 | 99 | 97 | 108 |
| 85 | 24 | 24 | 24 | 20 | 19 | 27 |
| 90 | 0 | 0 | 0 | 0 | 0 | |
| 95 | 0 | 0 | 0 | 0 | 0 | 0 |
| 105 | 0 | 0 | 0 | 0 | 0 | 0 |
| 115 | 0 | 0 | 0 | 0 | 0 | 0 |
| 125 | 0 | 0 | 0 | 0 | 0 | 0 |
| 135 | 0 | 0 | 0 | 0 | 0 | 0 |
| 145 | 0 | 0 | 0 | 0 | 0 | 0 |
| 155 | 0 | 0 | 0 | 0 | 0 | 0 |
| 165 | 0 | 0 | 0 | 0 | 0 | 0 |
| 175 | 0 | 0 | 0 | 0 | 0 | 0 |
| 180 | 0 | 0 | 0 | 0 | 0 | |

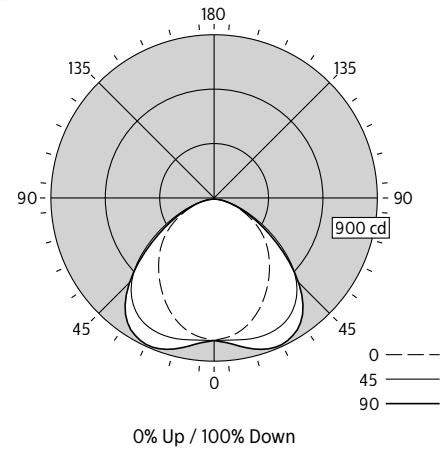
*Photometric data shown is for 2400 lm/4ft, 3500K, 90 CRI configuration.

| COEFFICIENTS OF UTILIZATION (%) | | | | | | | | | | | | | |
|---------------------------------|----|-----|-----|-----|-----|-----|-----|-----|-----|-----|-----|-----|---|
| Pc--- | 80 | | | | 70 | | | | 50 | | | | 0 |
| Pw--- | 70 | 50 | 30 | 10 | 70 | 50 | 30 | 50 | 30 | 10 | 0 | 0 | |
| RCR | 0 | 119 | 119 | 119 | 119 | 116 | 116 | 116 | 111 | 111 | 111 | 100 | |
| | 1 | 110 | 105 | 101 | 98 | 107 | 103 | 99 | 99 | 96 | 93 | 85 | |
| | 2 | 100 | 92 | 86 | 81 | 98 | 91 | 85 | 87 | 82 | 78 | 72 | |
| | 3 | 92 | 82 | 74 | 68 | 89 | 80 | 73 | 77 | 71 | 66 | 61 | |
| | 4 | 84 | 72 | 64 | 58 | 82 | 71 | 63 | 69 | 62 | 56 | 53 | |
| | 5 | 77 | 65 | 56 | 50 | 75 | 64 | 56 | 62 | 54 | 49 | 46 | |
| | 6 | 71 | 58 | 50 | 43 | 70 | 58 | 49 | 56 | 48 | 43 | 40 | |
| | 7 | 66 | 53 | 44 | 38 | 65 | 52 | 44 | 51 | 43 | 38 | 35 | |
| | 8 | 62 | 48 | 40 | 34 | 60 | 48 | 40 | 46 | 39 | 34 | 32 | |
| | 9 | 58 | 44 | 36 | 31 | 56 | 44 | 36 | 43 | 35 | 31 | 28 | |
| | 10 | 54 | 41 | 33 | 28 | 53 | 40 | 33 | 39 | 32 | 28 | 26 | |

| ZONAL LUMEN SUMMARY | | | |
|---------------------|--------|----------|--------|
| Zone | Lumens | %Fixture | %Lamp |
| 0-30 | 658 | 28.8% | 28.8% |
| 0-40 | 1105 | 48.3% | 48.3% |
| 0-60 | 1924 | 84.1% | 84.1% |
| 0-90 | 2287 | 100.0% | 100.0% |
| 90-130 | 0 | 0.0% | 0.0% |
| 90-150 | 0 | 0.0% | 0.0% |
| 90-180 | 0 | 0.0% | 0.0% |
| 0-180 | 2287 | 100.0% | 100.0% |

| Electrical | | | | | |
|------------------------------|------|-------|------|-------|--|
| 120V: P(W), I(A), THD(%), PF | 19.6 | 0.164 | 8.1 | 0.994 | |
| 277V: P(W), I(A), THD(%), PF | 19.6 | 0.073 | 11.7 | 0.965 | |
| 347V: P(W), I(A), THD(%), PF | N/A | N/A | N/A | N/A | |

| AVG LUMINANCE (cd/m²) | | | |
|-----------------------|------|------|------|
| | 0 | 45 | 90 |
| 0 | 6526 | 6526 | 6526 |
| 5 | 6443 | 6558 | 6672 |
| 15 | 6214 | 6903 | 7412 |
| 25 | 5813 | 7356 | 8167 |
| 35 | 5385 | 7692 | 8494 |
| 45 | 5027 | 7595 | 7839 |
| 55 | 4627 | 6575 | 6129 |
| 65 | 3861 | 4920 | 4422 |
| 75 | 3025 | 3387 | 3148 |
| 85 | 2322 | 2275 | 1852 |



Jump linear suspended

Photometrics**

MesoOptics + SplashPerf or PixelPerf Housing (QP or QS) – Symmetric Distribution

Spacing Criteria: 1.12/1.56

(Click "PDF" and "IES" text to Download)

| Lumen Package | Nominal CRI & CCT | Flux (lm) | Watts (W) | Efficacy (LPW) | CRI | R9 | RP-1 VDT | Photometry Report | IES File |
|---------------|-------------------|-----------|-----------|----------------|-----|-----|---------------|---------------------|---------------------|
| 4900 lm/4ft | CRI 90, 4000K | 5012 | 45.6 | 109.9 | 90+ | 50+ | N/A | PDF | IES |
| | CRI 90, 3500K | 4940 | 45.1 | 109.5 | 90+ | 50+ | N/A | PDF | IES |
| | CRI 90, 3000K | 4710 | 45.4 | 103.7 | 90+ | 50+ | N/A | PDF | IES |
| 3600 lm/4ft | CRI 90, 4000K | 3748 | 32.8 | 114.3 | 90+ | 50+ | N/A | PDF | IES |
| | CRI 90, 3500K | 3695 | 32.5 | 113.7 | 90+ | 50+ | N/A | PDF | IES |
| | CRI 90, 3000K | 3523 | 32.6 | 108.1 | 90+ | 50+ | N/A | PDF | IES |
| 2400 lm/4ft | CRI 90, 4000K | 2375 | 19.7 | 120.6 | 90+ | 50+ | Normal spaces | PDF | IES |
| | CRI 90, 3500K | 2342 | 19.5 | 120.1 | 90+ | 50+ | Normal spaces | PDF | IES |
| | CRI 90, 3000K | 2232 | 19.6 | 113.9 | 90+ | 50+ | Normal spaces | PDF | IES |

**Photometry is measured to IES standards using CRI 80 LEDs. New AccuRender high efficacy CRI 90 LEDs will meet or exceed posted energy specifications including wattage, lumen output, and efficacy.

| CANDELA DISTRIBUTION | | | | | | Flux |
|----------------------|-----|------|-----|------|-----|--------|
| | 0 | 22.5 | 45 | 67.5 | 90 | Lumens |
| 0 | 764 | 764 | 764 | 764 | 764 | |
| 5 | 752 | 760 | 765 | 774 | 778 | 73 |
| 15 | 703 | 730 | 780 | 823 | 837 | 220 |
| 25 | 615 | 677 | 781 | 847 | 865 | 351 |
| 35 | 515 | 601 | 738 | 803 | 813 | 438 |
| 45 | 413 | 497 | 629 | 657 | 648 | 444 |
| 55 | 308 | 364 | 443 | 426 | 411 | 356 |
| 65 | 189 | 217 | 245 | 227 | 219 | 224 |
| 75 | 91 | 101 | 106 | 101 | 100 | 109 |
| 85 | 24 | 26 | 29 | 29 | 30 | 32 |
| 90 | 2 | 6 | 9 | 13 | 14 | |
| 95 | 3 | 8 | 12 | 15 | 16 | 12 |
| 105 | 3 | 13 | 15 | 18 | 18 | 15 |
| 115 | 3 | 16 | 19 | 20 | 21 | 17 |
| 125 | 4 | 15 | 22 | 23 | 23 | 16 |
| 135 | 5 | 13 | 23 | 25 | 25 | 14 |
| 145 | 6 | 11 | 20 | 24 | 23 | 11 |
| 155 | 6 | 9 | 15 | 20 | 19 | 7 |
| 165 | 7 | 8 | 10 | 13 | 13 | 3 |
| 175 | 7 | 7 | 7 | 8 | 8 | 1 |
| 180 | 7 | 7 | 7 | 7 | 7 | |

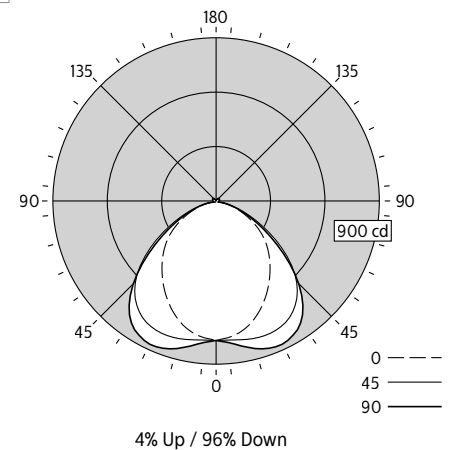
*Photometric data shown is for 2400 lm/ 4ft, 3500K, 90 CRI configuration.

| COEFFICIENTS OF UTILIZATION (%) | | | | | | | | | | | | | |
|---------------------------------|-----|-----|-----|-----|-----|-----|-----|-----|-----|-----|----|---|---|
| Pc--- | 80 | | | | 70 | | | | 50 | | | | 0 |
| Pw--- | 70 | 50 | 30 | 10 | 70 | 50 | 30 | 50 | 30 | 10 | 0 | 0 | |
| RCR | | | | | | | | | | | | | |
| 0 | 118 | 118 | 118 | 118 | 115 | 115 | 115 | 109 | 109 | 109 | 96 | | |
| 1 | 109 | 104 | 100 | 96 | 105 | 101 | 98 | 96 | 94 | 91 | 82 | | |
| 2 | 99 | 91 | 85 | 80 | 96 | 89 | 83 | 85 | 80 | 76 | 69 | | |
| 3 | 91 | 81 | 73 | 67 | 88 | 79 | 72 | 75 | 69 | 64 | 59 | | |
| 4 | 83 | 72 | 63 | 57 | 81 | 70 | 62 | 67 | 60 | 55 | 50 | | |
| 5 | 77 | 64 | 55 | 49 | 74 | 63 | 55 | 60 | 53 | 48 | 44 | | |
| 6 | 71 | 58 | 49 | 43 | 69 | 57 | 48 | 54 | 47 | 42 | 38 | | |
| 7 | 66 | 52 | 44 | 38 | 64 | 51 | 43 | 49 | 42 | 37 | 34 | | |
| 8 | 61 | 48 | 39 | 34 | 59 | 47 | 39 | 45 | 38 | 33 | 30 | | |
| 9 | 57 | 44 | 36 | 30 | 55 | 43 | 35 | 42 | 35 | 30 | 27 | | |
| 10 | 53 | 40 | 33 | 27 | 52 | 40 | 32 | 38 | 32 | 27 | 25 | | |

| ZONAL LUMEN SUMMARY | | | |
|---------------------|--------|----------|--------|
| Zone | Lumens | %Fixture | %Lamp |
| 0-30 | 644 | 27.5% | 27.5% |
| 0-40 | 1081 | 46.2% | 46.2% |
| 0-60 | 1882 | 80.4% | 80.4% |
| 0-90 | 2246 | 95.9% | 95.9% |
| 90-130 | 60 | 2.6% | 2.6% |
| 90-150 | 85 | 3.6% | 3.6% |
| 90-180 | 95 | 4.1% | 4.1% |
| 0-180 | 2342 | 100.0% | 100.0% |

| Electrical | | | | |
|------------------------------|------|-------|------|-------|
| 120V: P(W), I(A), THD(%), PF | 19.5 | 0.163 | 8.1 | 0.994 |
| 277V: P(W), I(A), THD(%), PF | 19.5 | 0.073 | 11.7 | 0.965 |
| 347V: P(W), I(A), THD(%), PF | N/A | N/A | N/A | N/A |

| AVG LUMINANCE (cd/m ²) | | | |
|------------------------------------|------|------|------|
| | 0 | 45 | 90 |
| 0 | 6390 | 6390 | 6390 |
| 5 | 6289 | 6212 | 6259 |
| 15 | 6023 | 6130 | 6392 |
| 25 | 5574 | 6115 | 6477 |
| 35 | 5113 | 5947 | 6153 |
| 45 | 4703 | 5388 | 5111 |
| 55 | 4250 | 4185 | 3497 |
| 65 | 3453 | 2671 | 2094 |
| 75 | 2559 | 1408 | 1124 |
| 85 | 1557 | 516 | 424 |



Jump linear suspended

Photometrics**

MesoOptics + SolidSide Housing (QE) – Asymmetric Distribution

Spacing Criteria: 1.65/1.30

(Click "PDF" and "IES" text to Download)

| Lumen Package | Nominal CRI & CCT | Flux (lm) | Watts (W) | Efficacy (LPW) | CRI | R9 | RP-1 VDT | Photometry Report | IES File |
|---------------|-------------------|-----------|-----------|----------------|-----|-----|-----------------|---------------------|---------------------|
| 4200 lm/4ft | CRI 90, 4000K | 4247 | 45.8 | 92.7 | 90+ | 50+ | N/A | PDF | IES |
| | CRI 90, 3500K | 4186 | 45.4 | 92.2 | 90+ | 50+ | N/A | PDF | IES |
| | CRI 90, 3000K | 3991 | 45.6 | 87.5 | 90+ | 50+ | N/A | PDF | IES |
| 3100 lm/4ft | CRI 90, 4000K | 3176 | 33.0 | 96.2 | 90+ | 50+ | Normal spaces | PDF | IES |
| | CRI 90, 3500K | 3131 | 32.6 | 96.0 | 90+ | 50+ | Normal spaces | PDF | IES |
| | CRI 90, 3000K | 2985 | 32.8 | 91.0 | 90+ | 50+ | Normal spaces | PDF | IES |
| 2000 lm/4ft | CRI 90, 4000K | 2013 | 19.8 | 101.7 | 90+ | 50+ | Normal spaces | PDF | IES |
| | CRI 90, 3500K | 1984 | 19.6 | 101.2 | 90+ | 50+ | Normal spaces | PDF | IES |
| | CRI 90, 3000K | 1892 | 19.7 | 96.0 | 90+ | 50+ | Critical spaces | PDF | IES |

**Photometry is measured to IES standards using CRI 80 LEDs. New AccuRender high efficacy CRI 90 LEDs will meet or exceed posted energy specifications including wattage, lumen output, and efficacy.

| CANDELA DISTRIBUTION | | | | | | Flux |
|----------------------|------|------|-----|------|-----|--------|
| | 0 | 22.5 | 45 | 67.5 | 90 | Lumens |
| 0 | 724 | 724 | 724 | 724 | 724 | |
| 5 | 783 | 768 | 707 | 698 | 693 | 71 |
| 15 | 1025 | 903 | 686 | 677 | 703 | 224 |
| 25 | 1184 | 1018 | 650 | 675 | 699 | 376 |
| 35 | 966 | 889 | 597 | 599 | 577 | 442 |
| 45 | 572 | 564 | 460 | 422 | 375 | 370 |
| 55 | 315 | 308 | 286 | 257 | 226 | 252 |
| 65 | 172 | 163 | 155 | 146 | 129 | 153 |
| 75 | 81 | 74 | 69 | 70 | 62 | 76 |
| 85 | 9 | 13 | 18 | 21 | 16 | 20 |
| 90 | 0 | 0 | 0 | 0 | 0 | |
| 95 | 0 | 0 | 0 | 0 | 0 | 0 |
| 105 | 0 | 0 | 0 | 0 | 0 | 0 |
| 115 | 0 | 0 | 0 | 0 | 0 | 0 |
| 125 | 0 | 0 | 0 | 0 | 0 | 0 |
| 135 | 0 | 0 | 0 | 0 | 0 | 0 |
| 145 | 0 | 0 | 0 | 0 | 0 | 0 |
| 155 | 0 | 0 | 0 | 0 | 0 | 0 |
| 165 | 0 | 0 | 0 | 0 | 0 | 0 |
| 175 | 0 | 0 | 0 | 0 | 0 | 0 |
| 180 | 0 | 0 | 0 | 0 | 0 | |

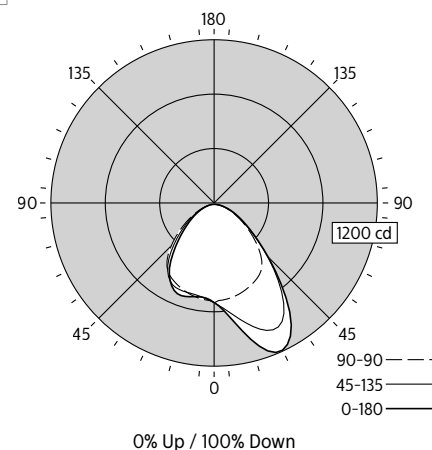
*Photometric data shown is for 2000 lm/4ft, 3500K, 90 CRI configuration.

| COEFFICIENTS OF UTILIZATION (%) | | | | | | | | | | | | | |
|---------------------------------|----|-----|-----|-----|-----|-----|-----|-----|-----|-----|-----|-----|---|
| Pc--- | 80 | | | | 70 | | | | 50 | | | | 0 |
| Pw--- | 70 | 50 | 30 | 10 | 70 | 50 | 30 | 50 | 30 | 10 | 0 | 0 | |
| RCR | 0 | 119 | 119 | 119 | 119 | 116 | 116 | 116 | 111 | 111 | 111 | 100 | |
| | 1 | 110 | 106 | 102 | 99 | 108 | 104 | 100 | 100 | 97 | 94 | 87 | |
| | 2 | 101 | 94 | 88 | 83 | 99 | 92 | 87 | 89 | 84 | 80 | 75 | |
| | 3 | 93 | 84 | 77 | 71 | 91 | 82 | 76 | 79 | 74 | 69 | 65 | |
| | 4 | 86 | 75 | 67 | 61 | 84 | 74 | 66 | 71 | 65 | 60 | 56 | |
| | 5 | 80 | 68 | 60 | 53 | 78 | 67 | 59 | 65 | 58 | 53 | 49 | |
| | 6 | 74 | 61 | 53 | 47 | 72 | 61 | 53 | 59 | 52 | 47 | 44 | |
| | 7 | 69 | 56 | 48 | 42 | 67 | 55 | 47 | 54 | 47 | 42 | 39 | |
| | 8 | 64 | 51 | 43 | 38 | 63 | 51 | 43 | 49 | 42 | 37 | 35 | |
| | 9 | 60 | 47 | 39 | 34 | 59 | 47 | 39 | 45 | 39 | 34 | 32 | |
| | 10 | 56 | 44 | 36 | 31 | 55 | 43 | 36 | 42 | 35 | 31 | 29 | |

| ZONAL LUMEN SUMMARY | | | |
|---------------------|--------|----------|--------|
| Zone | Lumens | %Fixture | %Lamp |
| 0-30 | 671 | 33.8% | 33.8% |
| 0-40 | 1112 | 56.1% | 56.1% |
| 0-60 | 1735 | 87.4% | 87.4% |
| 0-90 | 1984 | 100.0% | 100.0% |
| 90-130 | 0 | 0.0% | 0.0% |
| 90-150 | 0 | 0.0% | 0.0% |
| 90-180 | 0 | 0.0% | 0.0% |
| 0-180 | 1984 | 100.0% | 100.0% |

| Electrical | | | | |
|------------------------------|------|-------|------|-------|
| 120V: P(W), I(A), THD(%), PF | 19.6 | 0.164 | 8.1 | 0.994 |
| 277V: P(W), I(A), THD(%), PF | 19.6 | 0.073 | 11.7 | 0.965 |
| 347V: P(W), I(A), THD(%), PF | N/A | N/A | N/A | N/A |

| AVG LUMINANCE (cd/m²) | | | |
|-----------------------|-------|------|------|
| | 0 | 45 | 90 |
| 0 | 6054 | 6054 | 6054 |
| 5 | 6579 | 5932 | 5817 |
| 15 | 8879 | 5938 | 6092 |
| 25 | 10930 | 5998 | 6453 |
| 35 | 9861 | 6099 | 5889 |
| 45 | 6766 | 5442 | 4432 |
| 55 | 4589 | 4175 | 3295 |
| 65 | 3411 | 3060 | 2550 |
| 75 | 2631 | 2244 | 2010 |
| 85 | 826 | 1701 | 1510 |



Photometrics**

MesoOptics + SplashPerf or PixelPerf Housing (QP or QS) – Asymmetric Distribution

Spacing Criteria: 1.69/1.31

(Click "PDF" and "IES" text to Download)

| Lumen Package | Nominal CRI & CCT | Flux (lm) | Watts (W) | Efficacy (LPW) | CRI | R9 | RP-1 VDT | Photometry Report | IES File |
|---------------|-------------------|-----------|-----------|----------------|-----|-----|---------------|---------------------|---------------------|
| 4200 lm/4ft | CRI 90, 4000K | 4266 | 45.8 | 93.1 | 90+ | 50+ | N/A | PDF | IES |
| | CRI 90, 3500K | 4205 | 45.4 | 92.6 | 90+ | 50+ | N/A | PDF | IES |
| | CRI 90, 3000K | 4010 | 45.6 | 87.9 | 90+ | 50+ | N/A | PDF | IES |
| 3100 lm/4ft | CRI 90, 4000K | 3191 | 33.0 | 96.7 | 90+ | 50+ | Normal spaces | PDF | IES |
| | CRI 90, 3500K | 3145 | 32.6 | 96.5 | 90+ | 50+ | Normal spaces | PDF | IES |
| | CRI 90, 3000K | 2999 | 32.8 | 91.4 | 90+ | 50+ | Normal spaces | PDF | IES |
| 2000 lm/4ft | CRI 90, 4000K | 2022 | 19.8 | 102.1 | 90+ | 50+ | Normal spaces | PDF | IES |
| | CRI 90, 3500K | 1993 | 19.6 | 101.7 | 90+ | 50+ | Normal spaces | PDF | IES |
| | CRI 90, 3000K | 1900 | 19.7 | 96.4 | 90+ | 50+ | Normal spaces | PDF | IES |

**Photometry is measured to IES standards using CRI 80 LEDs. New AccuRender high efficacy CRI 90 LEDs will meet or exceed posted energy specifications including wattage, lumen output, and efficacy.

| CANDELA DISTRIBUTION | | | | | | Flux |
|----------------------|------|------|-----|------|-----|--------|
| | 0 | 22.5 | 45 | 67.5 | 90 | Lumens |
| 0 | 665 | 665 | 665 | 665 | 665 | |
| 5 | 710 | 697 | 650 | 647 | 646 | 65 |
| 15 | 919 | 813 | 633 | 639 | 669 | 206 |
| 25 | 1111 | 938 | 604 | 645 | 666 | 353 |
| 35 | 943 | 850 | 558 | 571 | 551 | 421 |
| 45 | 579 | 549 | 433 | 402 | 350 | 357 |
| 55 | 325 | 306 | 270 | 237 | 206 | 244 |
| 65 | 180 | 165 | 150 | 133 | 129 | 150 |
| 75 | 88 | 77 | 66 | 74 | 64 | 77 |
| 85 | 18 | 18 | 15 | 26 | 27 | 25 |
| 90 | 10 | 8 | 3 | 15 | 17 | |
| 95 | 13 | 10 | 3 | 15 | 20 | 13 |
| 105 | 17 | 14 | 3 | 18 | 23 | 15 |
| 115 | 19 | 17 | 3 | 20 | 25 | 17 |
| 125 | 22 | 21 | 4 | 23 | 26 | 16 |
| 135 | 25 | 20 | 5 | 23 | 27 | 14 |
| 145 | 23 | 17 | 5 | 19 | 24 | 10 |
| 155 | 18 | 14 | 6 | 15 | 18 | 6 |
| 165 | 12 | 9 | 6 | 11 | 12 | 3 |
| 175 | 7 | 7 | 6 | 7 | 8 | 1 |
| 180 | 7 | 7 | 7 | 7 | 7 | |

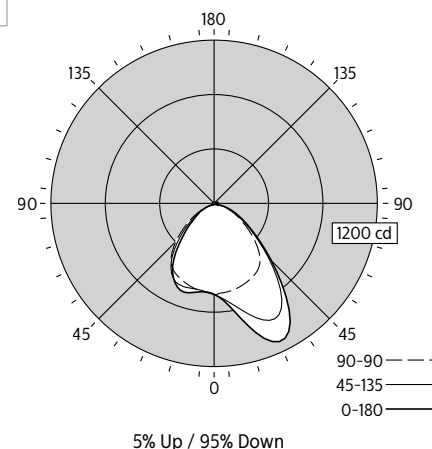
*Photometric data shown is for 2000 lm/4ft, 3500K, 90 CRI configuration.

| COEFFICIENTS OF UTILIZATION (%) | | | | | | | | | | | | | |
|---------------------------------|-----|-----|-----|-----|-----|-----|-----|-----|-----|-----|----|---|---|
| Pc--- | 80 | | | | 70 | | | | 50 | | | | 0 |
| Pw--- | 70 | 50 | 30 | 10 | 70 | 50 | 30 | 50 | 30 | 10 | 0 | 0 | |
| RCR | | | | | | | | | | | | | |
| 0 | 118 | 118 | 118 | 118 | 115 | 115 | 115 | 108 | 108 | 108 | 95 | | |
| 1 | 109 | 105 | 101 | 97 | 106 | 102 | 99 | 97 | 94 | 92 | 82 | | |
| 2 | 100 | 93 | 87 | 81 | 97 | 90 | 85 | 86 | 82 | 78 | 71 | | |
| 3 | 92 | 82 | 75 | 69 | 89 | 81 | 74 | 77 | 71 | 66 | 61 | | |
| 4 | 85 | 74 | 66 | 60 | 82 | 72 | 65 | 69 | 63 | 58 | 53 | | |
| 5 | 78 | 66 | 58 | 52 | 76 | 65 | 57 | 62 | 56 | 50 | 46 | | |
| 6 | 73 | 60 | 52 | 46 | 70 | 59 | 51 | 57 | 50 | 45 | 41 | | |
| 7 | 67 | 55 | 46 | 41 | 65 | 54 | 46 | 52 | 45 | 40 | 37 | | |
| 8 | 63 | 50 | 42 | 36 | 61 | 49 | 41 | 47 | 41 | 36 | 33 | | |
| 9 | 59 | 46 | 38 | 33 | 57 | 45 | 38 | 44 | 37 | 32 | 30 | | |
| 10 | 55 | 42 | 35 | 30 | 54 | 42 | 34 | 40 | 34 | 29 | 27 | | |

| ZONAL LUMEN SUMMARY | | | |
|---------------------|--------|----------|--------|
| Zone | Lumens | %Fixture | %Lamp |
| 0-30 | 624 | 31.3% | 31.3% |
| 0-40 | 1045 | 52.4% | 52.4% |
| 0-60 | 1645 | 82.5% | 82.5% |
| 0-90 | 1898 | 95.2% | 95.2% |
| 90-130 | 61 | 3.0% | 3.0% |
| 90-150 | 85 | 4.3% | 4.3% |
| 90-180 | 95 | 4.8% | 4.8% |
| 0-180 | 1993 | 100.0% | 100.0% |

| Electrical | | | | |
|------------------------------|------|-------|------|-------|
| 120V: P(W), I(A), THD(%), PF | 19.6 | 0.164 | 8.1 | 0.994 |
| 277V: P(W), I(A), THD(%), PF | 19.6 | 0.073 | 11.7 | 0.965 |
| 347V: P(W), I(A), THD(%), PF | N/A | N/A | N/A | N/A |

| AVG LUMINANCE (cd/m²) | | | |
|-----------------------|------|------|------|
| | 0 | 45 | 90 |
| 0 | 5559 | 5559 | 5559 |
| 5 | 5709 | 5441 | 5199 |
| 15 | 7020 | 5424 | 5112 |
| 25 | 8313 | 5472 | 4988 |
| 35 | 7133 | 5540 | 4169 |
| 45 | 4566 | 4927 | 2764 |
| 55 | 2763 | 3724 | 1749 |
| 65 | 1717 | 2734 | 1233 |
| 75 | 989 | 1865 | 724 |
| 85 | 258 | 1017 | 391 |



© 2023 Signify Holding. All rights reserved. The information provided herein is subject to change, without notice. Signify does not give any representation or warranty as to the accuracy or completeness of the information included herein and shall not be liable for any action in reliance thereon. The information presented in this document is not intended as any commercial offer and does not form part of any quotation or contract, unless otherwise agreed by Signify.

Signify North America Corporation
400 Crossing Blvd, Suite 600
Bridgewater, NJ 08807
Telephone 855-486-2216

Signify Canada Ltd.
281 Hillmount Road,
Markham, ON, Canada L6C 2S3
Telephone 800-668-9008

All trademarks are owned by Signify Holding or their respective owners.