

# DOT 2

SPECIFICATION SHEET  
WARM DIM

## AESTHETIC MICROCYLINDER SMALL BEYOND COMPARE

### Housing

Diameter : Ø2.5" | Height : 8.5" | Weight : 1.9 lbs

### Material

Housing: High Pressure Die-Cast Aluminum  
Lens: TIR Polycarbonate Lens

### Power Input

15W | 120-277V

### Lumen Output

1,000 lm (15W)

### Dimming

Superior 0-10V: Dims to black

### Color Quality

CRI 93 | UGR ≤ 19

### Finish



### Color Temperature



ColorFlip™ Warm Dim  
1900K ↔ 2700K

### Optics



### Mounting



### Warranty

5 Year limited warranty

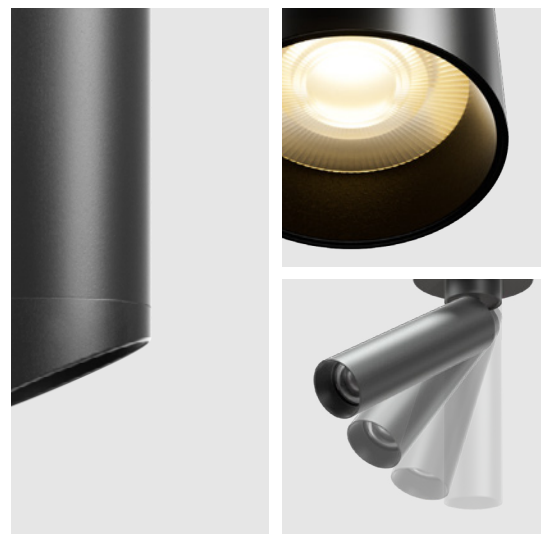
### Listing



## One Microcylinder Family To Rule Them All

The Dot 2.5 micro cylinders come with a delivered lumen package of up to 850 lm. Available in black and white finishes, a variety of mounting options, and accessories.

Two years on from the introduction of the Dot series, we have now expanded the line to include even smaller apertures and greater optical, and design accessories. Offering optimal balance between diminutive design and high performance.



# METEOR

[meteor-lighting.com](https://meteor-lighting.com)

**SPECIFICATION**

PROJECT NAME	DATE
<input type="text"/>	<input type="text"/>
CATALOG #	QUANTITY
<input type="text"/>	<input type="text"/>

<b>DT2</b>	MODEL	<b>DOT 2</b>		
<b>15</b>	WATTAGE	<b>15</b> 15W		
<b>WDIM</b>	CCT / CRI	<b>WDIM</b> 1900K - 2700K		
<b>UNV</b>	VOLTAGE	<b>UNV</b> 120 – 277V		
<b>SPV</b>	DIMMING	<b>SPV</b> Superior 0-10V dims to black		
	BEAM ANGLE	<b>45</b> 45°	<b>60</b> 60°	
	FINISH	<b>BLK</b> Black	<b>WHT</b> White	
	MOUNTING	<b>SUM</b> Surface Mount <b>ST2</b> Stem Mount 2ft <b>ST4A</b> Stem 4ft Adjustable	<b>SA</b> Surface Adjustable <b>ST4</b> Stem Mount 4ft	<b>CM10</b> Cord Mount 10ft <b>ST2A</b> Stem 2ft Adjustable
	ACCESSORIES*	<b>HC<sup>1</sup></b> Hex Cell Louver	<b>SL<sup>2</sup></b> Solite Lens	<b>SSB<sup>3</sup></b> Spot Shield Bezel

<sup>1</sup> Please factor in change in lumen output of -30%  
<sup>2</sup> Please factor in change in lumen output of -15%  
<sup>3</sup> Please factor in change in lumen output of -20%, Option is not compatible with SA, ST2A, ST4A.  
 \* Only one accessory can be chosen

**TECHNICAL DETAILS**

**Electrical**

- 1,000 lm (15W)
- Power Input: Universal (120-277V)
- Operating Temperature: 14°F~95°F
- Surge Protection: Built-in is 2.5KV
- Integral Driver on all product configurations

**LED Features**

- Warm Dim™ Tunable White 1900K ↔ 2700K
- CRI 93
- UGR ≤ 19

**Optics**

- TIR Polycarbonate Lens
- Beam Angle: 45°, 60°

**Advanced Dimming**

- Proprietary VX Driver™ is incorporated to all dimming options for video flicker-free lighting
- Superior 0-10V dims to black

**Housing**

- Diameter: Ø2.5"
- Height: 8.5"
- Material: High Pressure Die-Cast Aluminum
- Weight: 1.9 lbs

**Mounting**

- Surface Mount
- Surface Adjustable Mount (355° Rotation / 90° Tilt)
- Stem Mount 2ft or 4ft
- Stem Adjustable Mount 2ft or 4ft (355° Rotation / 90° Tilt)
- Cord Mount 10ft

**Warranty**

- 5-year limited warranty

**Listing**

- ETL Damp Location Listed
- CE
- FCC
- Title 24 Compliant

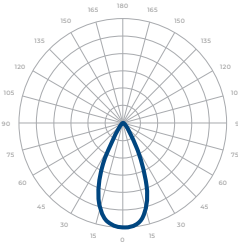
**DELIVERED LUMENS\***

Warm Dim	1900K	←—————→					2700K
0-10V CCT Voltage	0.7	2	4	6	8	10	
15W	45lm	155lm	300lm	470lm	640lm	850lm	

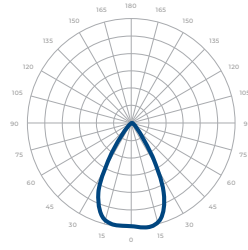
\*Tolerance ±8%

**PHOTOMETRICS**

Below is a typical photometric representation of the Dot 2 fixture. Please download IES files to ensure exact photometric value.



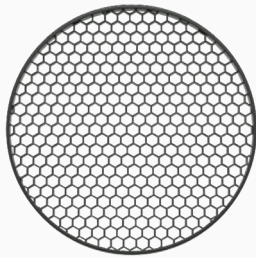
45°



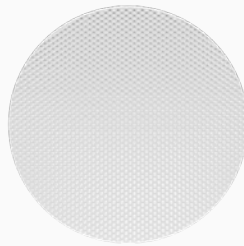
60°

**ACCESSORIES**

Hex Cell Louver



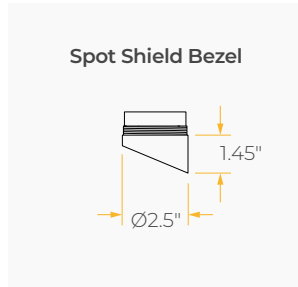
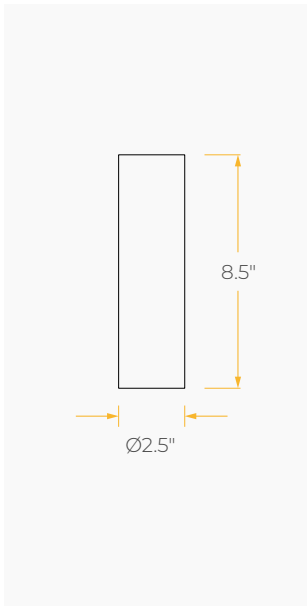
Solite Lens



Spot Shield Bezel

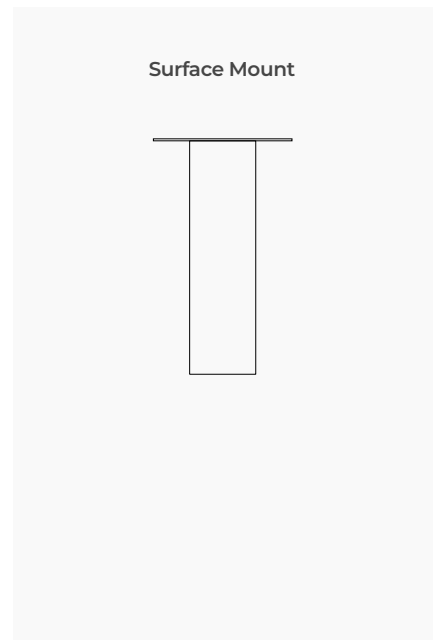
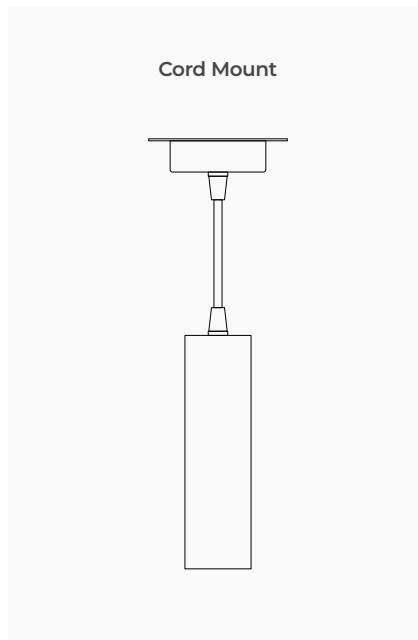
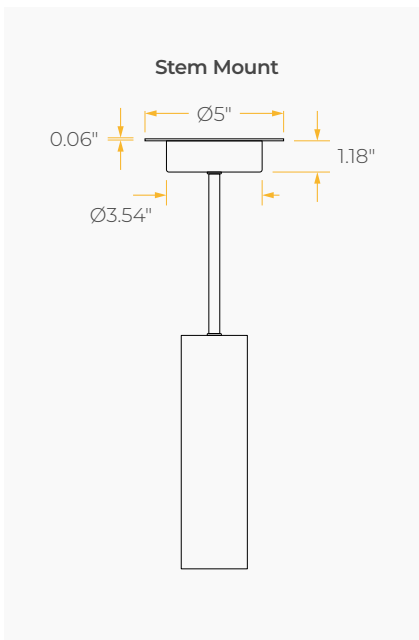


**DIMENSIONS**



**MOUNTING OPTIONS\***

\*Junction Box not included



**MOUNTING OPTIONS\***

---

*\*Junction Box not included*

