

Ameron™

Columbia Pole

Available in base plate and embedded style.

Our Columbia Pole captures the flair of vintage lighting poles with an embellished bell-shaped base and fluted shaft.

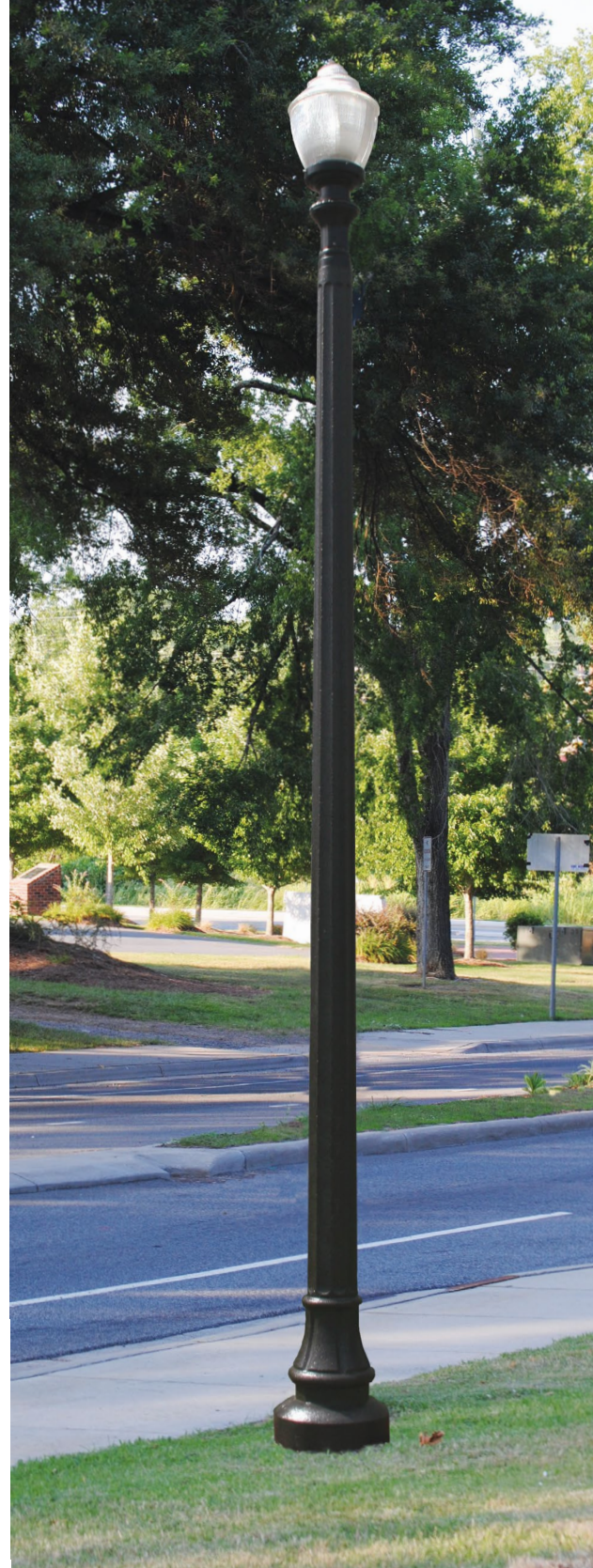
Features and Benefits

- Highest quality materials and workmanship ensure beauty, uniformity and long-term structural integrity
- Hand hole in shaft provides easy access, reduces likelihood of damage, and enhances appearance of the base
- Slim footprint provides decorative alternative for narrow areas where ADA compliancy may be a concern
- Conforms to applicable sections of ACI, AASHTO, ASTM, ASCE, and PCI standards
- Backed by a 10-year-warranty

Colors and Finishes

A wide range of standard, pre-formulated and custom colors are available. The concrete shafts are lightly blasted to expose the texture and color of the natural stone. Natural stone and terrazzo aggregates maintain a like new appearance with virtually no maintenance. See separate Aggregates and Finishes sheet for details. We offer Amershield™, a premium graffiti-resistant coating, as well as other durable sealers and protectants that further enhance colors, protect the concrete surface and aid in the removal of graffiti.

Durability with a classic touch.

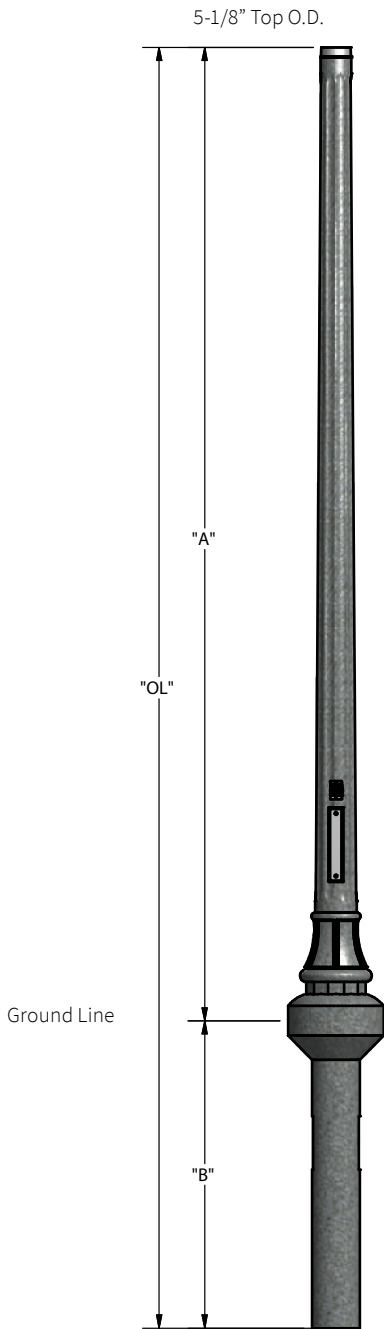


For further information contact us at: 1.800.552.6376



poleproducts@nov.com

nov.com/poleproducts



Base Plate Style - Information

Catalog Number	Pole Height "A"	Base O.D.	Anchor Bolt	Bolt Circle (in)	Base Plate (sq)	Ultimate G.I. Moment (ft. lbs.)	Pole Weight (lbs.)
VBC03.2	10'-9"	16"	3/4" X 24" X 4"	19"	17"	12,000	460
VBC03.8	12'-9"	16"	3/4" X 24" X 4"	19"	17"	12,000	485
VBC04.2	13'-11"	16"	3/4" X 24" X 4"	19"	17"	15,000	520
VBC04.8	15'-11"	16"	3/4" X 24" X 4"	19"	17"	15,000	570
VBC04.9*	15'-11"	16"	3/4" X 24" X 4"	19"	17"	15,000	570

Embedded Style - Information

Catalog Number	Pole Height "A"	Base O.D.	Embedded Depth "B"	Overall Length "OL"	Ultimate G.I. Moment (ft. lbs.)	Pole Weight (lbs.)
VEC03.2	10'-7"	16"	4'-3"	14'-10"	12,000	625
VEC03.8	12'-7"	16"	4'-3"	16'-10"	12,000	650
VEC04.2	13'-9"	16"	4'-3"	18'-0"	15,000	685
VEC04.8	15'-9"	16"	4'-3"	20'-0"	15,000	735
VEC04.9*	15'-9"	16"	4'-3"	20'-0"	15,000	735

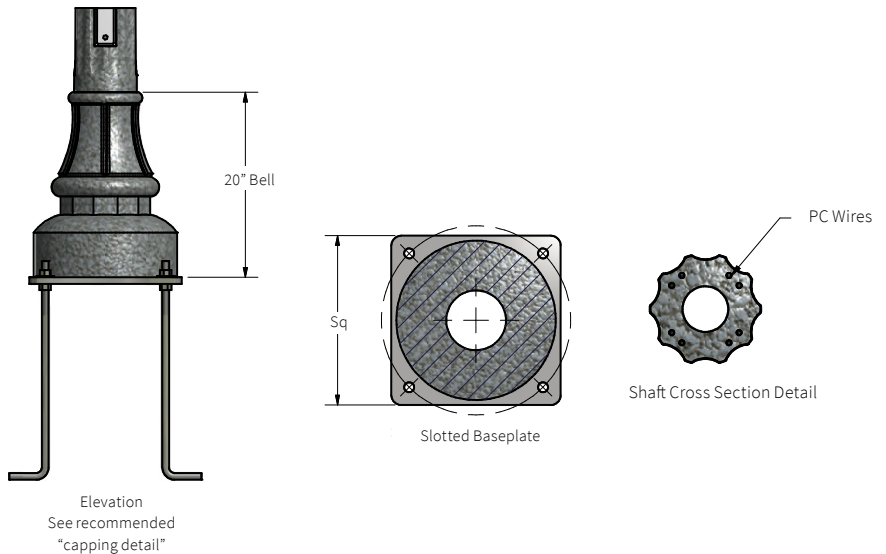
*VBC04.9 and VEC04.9 top 29" of pole in non-fluted

Specifications: Use Centrecon Specifications

Colors and Finishes: See Centrecon Series Color Selection Guide

Luminaire Mounting: See technical-mounting options section for more information.

Anti-graffiti and sealer: Optional coatings available for added protection.



For further information contact us at: 1.800.552.6376