

Ameron™

Contemporary Series 1C8 / 0C8 Square Poles

Available in base plate and embedded styles

Our 1C8 and 0C8 Square poles are the ideal strength for street lighting, park and recreation areas, parking lots, area security and walkways. Application can be post top or side mounted.

Features and Benefits

- Prestressed steel and highest quality concrete are centrifugally cast for ultimate strength, durability and vibration resistance
- Natural stone and terrazzo aggregates maintain a like new appearance with virtually no maintenance
- Conforms to applicable sections of ACI, AASHTO, ASTM, and IBC standards
- Exclusive 10-year warranty

Colors and Finishes

A wide range of standard, pre-formulated and custom colors are available. The concrete shafts are lightly blasted to expose the texture and color of the natural stone. See separate Aggregates and Finishes sheet for details. We offer Amershield™, a premium graffiti-resistant coating, as well as other durable sealers and protectants that further enhance colors, protect the concrete surface and aid in the removal of graffiti.

Durability with a classic touch.

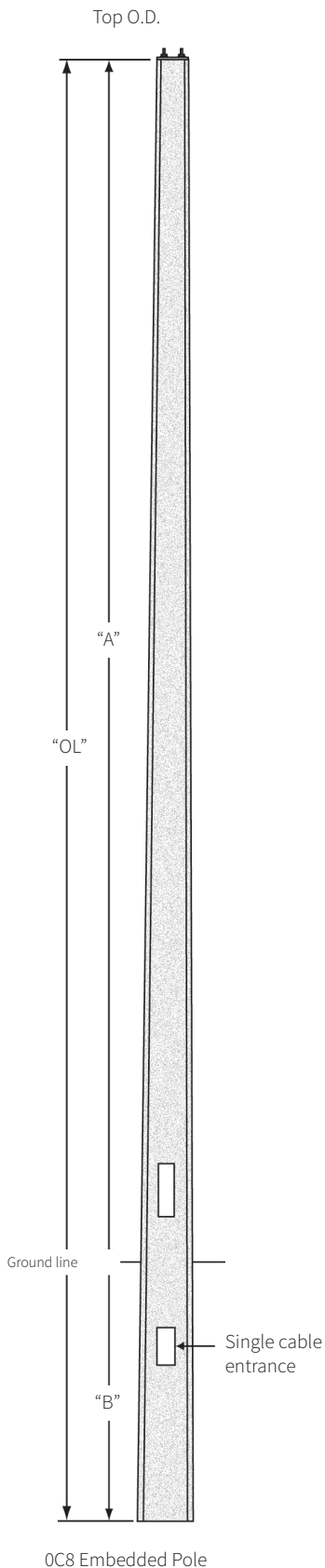


For further information contact us at: 1.800.552.6376



nov.com/poleproducts

Ameron™ Contemporary Series 1C8 / 0C8 Square Poles



0C8 Embedded Pole

Base Plate Style - Information

Catalog Number	Pole Height "A"	TOP O.D.	Base O.D.	Anchor Bolt	Bolt Circle	Base Plate (SQ)	Ultimate G.L. Moment (ft. lbs.)	Pole Weight (lbs.)
1C812	12'-3"	4½"	6¼"	¾" x 18" x 4"	9¾"	10"	8,500	350
1C814	14'-3"	4¼"	6¼"	¾" x 18" x 4"	9¾"	10"	8,500	390
1C816	16'-0"	4"	6¼"	¾" x 18" x 4"	9¾"	10"	8,500	420
1C820	19'-10"	4"	6⅜"	¾" x 18" x 4"	9¾"	10"	11,000	590

Embedded Style - Information

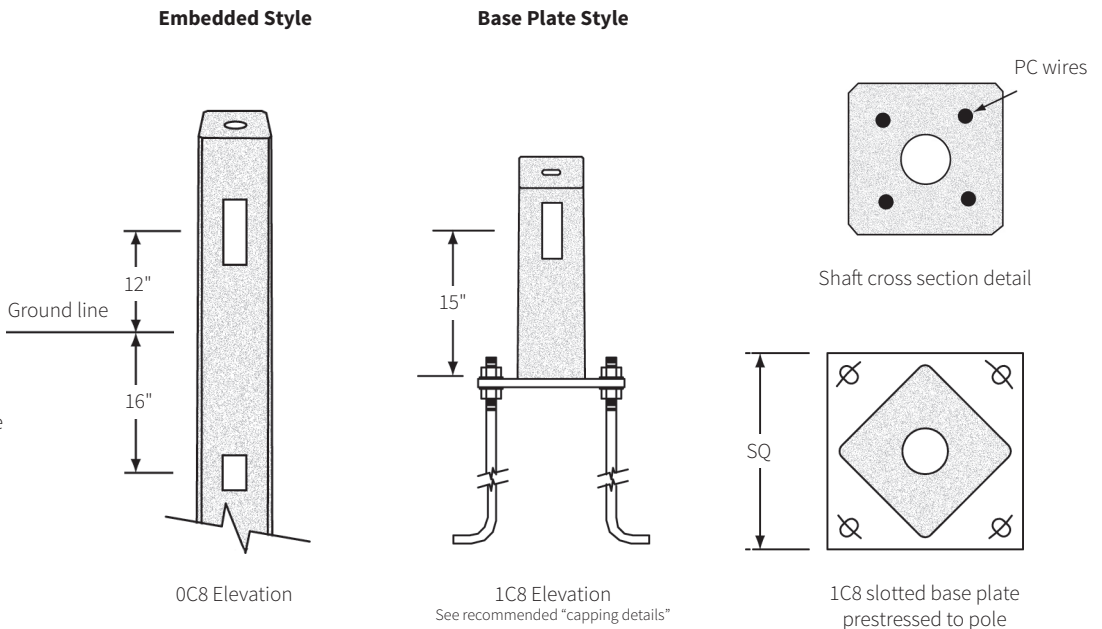
Catalog Number	Pole Height "A"	TOP O.D.	Base O.D.	Embedded Depth "B"	Overall Length "OL"	Ultimate G.L. Moment (ft. lbs.)	Pole Weight (lbs.)
0C812	9'-0"	4¼"	5¾"	3'-3"	12'-3"	7,660	350
0C814	10'-9"	4½"	6"	3'-6"	14'-3"	7,700	365
0C816	12'-3"	4"	6¼"	3'-9"	16'-0"	7,600	420
0C818	14'-4"	4¼"	6⅜"	3'-8"	18'-0"	9,400	475
0C820	15'-10"	4"	6⅜"	4'-0"	19'-10"	9,300	580

Specifications: Use Contemporary Specifications.

Colors and finishes: See Contemporary Color Selection Guide.

Luminaire mounting: See technical-mounting options section for more information.

Anti-graffiti and sealer: Optional coatings available for added protection.



Embedded Style

Base Plate Style

PC wires

Shaft cross section detail

0C8 Elevation

1C8 Elevation
See recommended "capping details"

1C8 slotted base plate
prestressed to pole

For further information contact us at: 1.800.552.6376

