

PROJECT NAME:	APPROVED BY:
CATALOG NO:	TYPE NO:

RAZOR MK³ - Custom Graphics

The RAZOR MK³ Custom is the ultimate in low profile, unobtrusive custom graphics signs. Utilizing the Razor Exit sign components with an open face insert a wide variety of custom graphics can be applied.

Only 5/8" thin, the Razor die cast aluminum sign utilizes the latest low energy, long life LED light sources. The legend colors can be Red, Green, or Blue, while the background can be White, Black, or Custom to order.

Construction

- Razor thin Die Cast Aluminum LED open face sign with recessed power supply to fit standard 4" j-box
- Thick wall construction from heavy duty die cast aluminum alloy
- Fine grain brushed aluminum, pure white or black finishes to order, other finishes are available
- Injection molded 3mm light guide produces vivid illumination
- Unique snap fit housing eliminates unsightly hardware
- Low profile canopy for end or top mount applications mounts to a standard j-box
- Polycarbonate security cover and wire guards available for wall mount installations
- Optional snap fit polycarbonate face shield is ideal for vandal resistant applications
- Pendant suspension mounting & specialty mounts available
- Damp location rated is a standard feature

Electrical

- Self-Diagnostic Battery monitoring on all 'EM' models
- Premium long life high temperature Nickel Metal Hydride battery pack operates 2.6 times longer than the minimum 90 minute run time
- 120 or 277 VAC field selectable input
- Electronic control circuit optimizes LED life and light output. A diagnostic selfcompensating constant current charger circuit monitors the condition of the battery pack and indicates via a flashing LED when battery needs replacing
- Circuitry includes - Zero current LVCO, Brownout sensing & Line-Latch



Illumination

- Featuring high contrast and visibility in the energized mode
- Maintenance free LED light source with 25+ years life expectancy
- High intensity LED array provides exceptional energy efficiency with just 2 watts power consumption for both single and double face AC models. Battery backup models consume just 2.4 watts
- Edge lit illumination provides vivid and uniform legend illumination

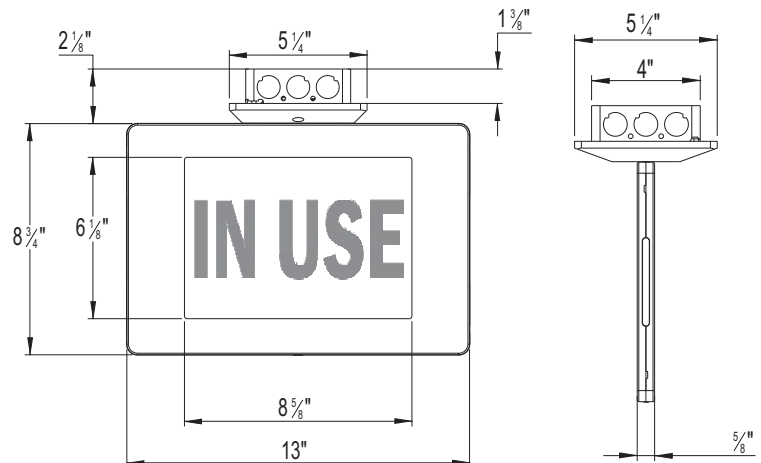
Certification

- Tested, approved and listed by Underwriters Laboratories to UL 924, meets CSA C22.2 No. 141-10, NFPA 101, NFPA 70-NEC and OSHA requirements



Warranty

- 5-Year limited warranty



RAZOR MK³ - Custom Graphics

ORDERING GUIDE – RCG³

Example: RCG3-EM-01-RD-WH-01-BA-CN

Model	Operation	Graphics/Image	Illuminated Letter Color	Background Color	No. of Faces	Face & Body Color	Mounting	Options
RCG3	AC AC Only 120/277 VAC	01 X-RAY IN USE 02 IN USE 03 AREA OF REFUGE 04 LASER IN USE 06 BEAM ON 26 AREA OF RESCUE ASSISTANCE CG SPECIFY REQUIRED	RD Red	BK Black	01 Single	BA All Brushed	1B Wall Mount, No Canopy	F Flash in Emergency Mode (EM models) or continuous Flash in AC models
	EM Battery Backup Emergency		GN Green	WH White	02 Double	BK All Black WH All White CC Custom Color	CN Canopy top, left, right end mount PA 12" Hang Straight Pendant Mount PB 24" Hang Straight Pendant Mount PC 36" Hang Straight Pendant Mount PD 48" Hang Straight Pendant Mount PE 60" Hang Straight Pendant Mount PF 72" Hang Straight Pendant Mount CL Custom Length	FA Flash in AC and Emergency mode on 12- 24V (AC or DC) Normally Off Fire Alarm Signal (EM models) DK Two Circuit Input - Specify Input Voltage (AC models only) LL High/Low Level Master/Remote (AC and EM models – Remote is Single Face Wall Mount only) IR Self-Diagnostic with Infrared Remote Testing TLRT Infrared Remote Testing Transmitter (Order Separately) RS Razor Vandal Shield (see data sheet RS) M990010 Wire Guard (Wall Mount Only) RC Remote Capacity 3.6V 2 Watts TCRH1 One watt single indoor LED Head TCRH2 One watt each double indoor LED
SD Self-Test/ Self- Diagnostic (EM Models)			WH White BL Blue <i>* Cannot have white led with white background</i>	BL Blue CU				
RCG3								

Fill in fields from categories above and complete type and part number.

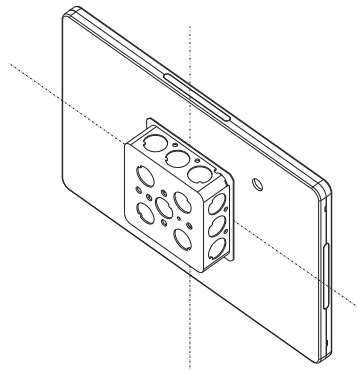
Type Number:

Full Part Number:

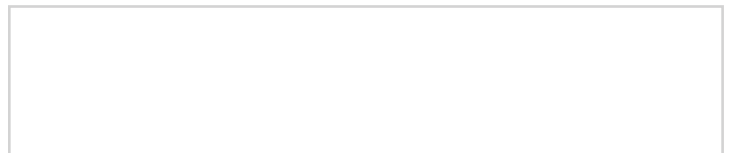
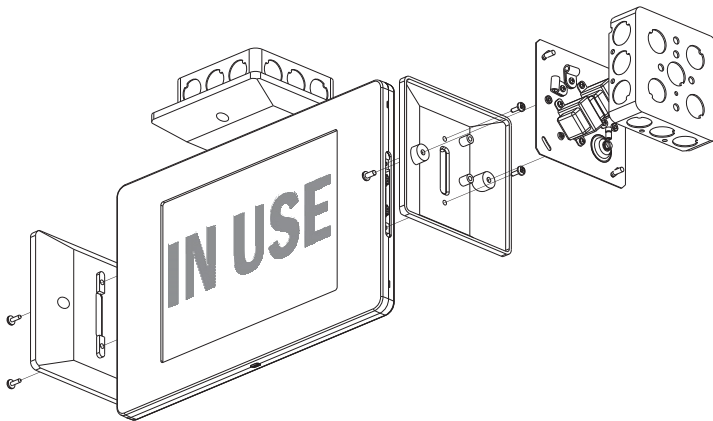
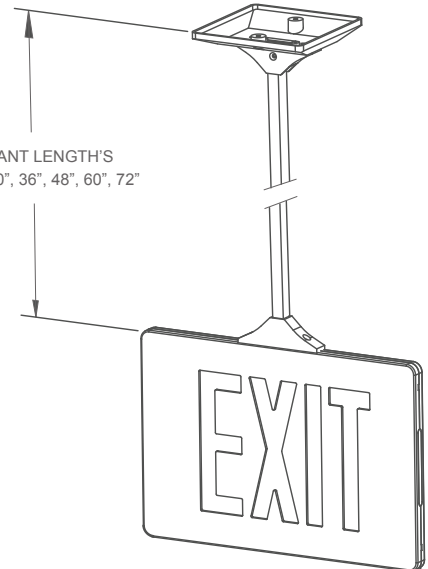
NOTE: For signs requiring directional indicators, select C custom letter and specify graphic with chevron direction.



Maximum illuminated area is 8.5" w x 6-1/8" h



PENDANT LENGTH'S
12", 24", 30", 36", 48", 60", 72"



RAZOR MK³ - Custom Graphics

NOTE: For signs requiring directional indicators, select C custom letter and specify graphic with chevron direction.

01 	02 	03 	04 	05 
06 	07 	08 	09 	10 
11 	12 	13 	14 	15 
16 	17 	18 	19 	20 
21 	22 	23 	24 	25 
26 	27 	28 	29 	30 
31 	32 	33 		

