

PROJECT NAME:	APPROVED BY:
CATALOG NO:	TYPE NO:

TELESIS STEEL HOUSING

Evenlite's 20 gauge steel exit sign features long life energy saving LED's for reliability.

Construction

- Durable 20 gauge steel housing in White power coat finish standard, black to order
- Universal mounting pattern on the back plate for wall mount applications
- Mounting canopy included for top or end mounting
- Field selectable knockout chevron directional indicators
- Stencil face with 6" letters with 3/4" Stroke
- Optional pendant mounting available

Electrical

- 120/277VAC field selectable input
- Long life maintenance free Nickel Cadmium battery provides the required 90 operation
- Battery operating temps 10° to 40° C
- Optional 120 minute emergency operation available
- Battery recharges in 24 hours following a 90 minute discharge
- Fully automatic solid state operation for maintenance free reliability
- Test switch and AC present indicator, EM models

Illumination

- Ultra-bright red or green LED's consume 2 watts or less nominal power

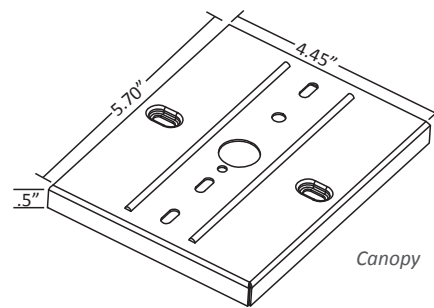
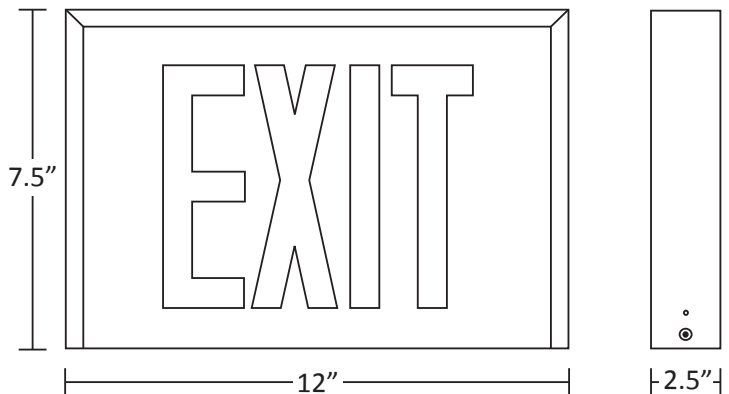
Certification

- Listed to UL924 and meets or exceeds NFPA101 Life Safety Code, NEC-NFPA 70, OSHA requirements



Warranty

- Five year limited warranty



ORDERING GUIDE – TS

Example: TS-EM-RU-W-CN-SD

Model	Operation	Letter Color	Number of Faces	Body Color	Mounting	Options
TS Steel LED Exit Sign	AC AC only 120/277 EM Nickel Cadmium 90 minute battery backup	R Red LED G Green LED	1 Single 2 Double U Single or Double	W White	CN Canopy Mount End/Ceiling	SD Self-Test/Self-Diagnostic B Black Housing CC Custom Color (consult factory) 2H 2 hour run time DK Two Circuit Input (AC models only, specify input voltage) TP Tamper-proof screws PA 12" Hang Straight Pendant (call for other lengths)
TS						

Fill in fields from categories above and complete type and part

Type Number:

Full Part Number:

TS - 4/18/22