

PROJECT NAME:	APPROVED BY:
CATALOG NO:	TYPE NO:

TELESIS - LED SERIES

TCL & TCLCA LED Emergency Light

The Telesis TCL provides high performance in a low profile contemporary housing that complements most interior applications. TCLCA meets CEC California Title 20 energy code requirements. The TCL is engineered for Quick fit easy installation and maintenance free reliability.

The 2 watt LED lamps provide 125 lumens each for superior spacing. Long lamp life (up to 100,000 hours) with very low power consumption.

Construction

- Compact low profile contemporary design provides
- Injection molded, high impact thermoplastic housing in a white finish
- Knock out mounting pattern on back plate and top conduit entry provides quick installation
- Snap-fit housing suitable for Wall or Ceiling mount
- Combined momentary test switch and AC status indicator provided for ease of testing

Electrical

- Maintenance free sealed Nickel Cadmium (TCL2) or Nickel Metal Hydride batteries (TCL4) operating temperature range 10°C to 40°C
- Remote capability with TCL4 can power two 1-watt LED lamp heads, or be used for longer run time
- Available with optional full Self-Test/Self-Diagnostics
- Field selectable 120 or 277 VAC 60 HZ
- Line-latch prevents unnecessary discharge of battery during installation, loads will not illuminate until after application of utility power



Shown with TCVS Option
NEMA 4X IP65 rated



- Low voltage cut-off prevents battery damage and ensures positive charge acceptance following an extended discharge
- Brownout sensing assures emergency operation during periods of low line voltage
- Fully automatic, solid state, two-rate charger will recharge battery per UL 924 requirements
- Damp location environmentally coated circuitry provided as standard

Illumination

- Two fully adjustable High Brightness 2 watt LED Heads each producing 125 lumens for optimum spacing and distribution
- Optional single or double, indoor or outdoor remote heads are available, with 3.6 volt 1 watt LEDs

Certification

- UL 924 Listed, meets NFPA101 Life Safety Code, NFPA 70-NEC, and OSHA requirements



Warranty

- 3 Year limited warranty

ORDERING GUIDE – TCL

Example: TCL4CA-W-SD

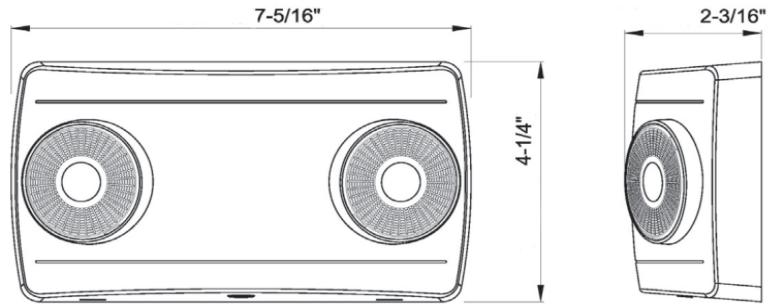
Model	Battery Capacity	Color	Options
TCL Telesis LED Emergency Light	2 2 Watt LED Heads, Nickel Cadmium Battery, 90 Minute Operation with No Remote Capability	W White (Standard) B* Black <i>*Only available with TCL4B-SD and TCLCA4B</i>	SD Self-Test/Self-Diagnostics – only Available in TCL4 TCRH1 Single Indoor Remote Head (order separately) TCRH2 Double Indoor Remote Head (order separately) PRWLED1-MV* Single Outdoor Remote Head (order separately) PRWLED2-MV* Double Outdoor Remote Head (order separately) TCVS Polycarbonate Vandal Shield, NEMA 4X and IP65 rated <i>* Outdoor remote heads are Gray standard, Black to order</i> <i>* When used with an SD unit MV heads must have the SD designation to ensure compatibility</i> <i>* Remote heads are 1 watt each</i>
	4 2 Watt LED Heads, Nickel Metal Hydride Battery, 90 Minute Operation with 2 Watts Remote Capability		
California Title 20 Models TCLCA CEC Title 20 Listed LED Emergency Light	2 2 Watt LED Heads, Nickel Cadmium Battery, 90 Minute Operation with No Remote Capability	W White (Standard) B* Black <i>*Only available with TCL4B-SD and TCLCA4B</i>	SD Self-Test/Self-Diagnostics – only Available in TCL4 TCRH1 Single Indoor Remote Head (order separately) TCRH2 Double Indoor Remote Head (order separately) PRWLED1-MV* Single Outdoor Remote Head (order separately) PRWLED2-MV* Double Outdoor Remote Head (order separately) TCVS Polycarbonate Vandal Shield, NEMA 4X and IP65 rated <i>* Outdoor remote heads are Gray standard, Black to order</i> <i>* When used with an SD unit MV heads must have the SD designation to ensure compatibility</i> <i>* Remote heads are 1 watt each</i>
	4 2 Watt LED Heads, Nickel Metal Hydride Battery, 90 Minute Operation with 2 Watts Remote Capability		
TCL			

Fill in fields from categories above and complete type and part number.

Type Number:

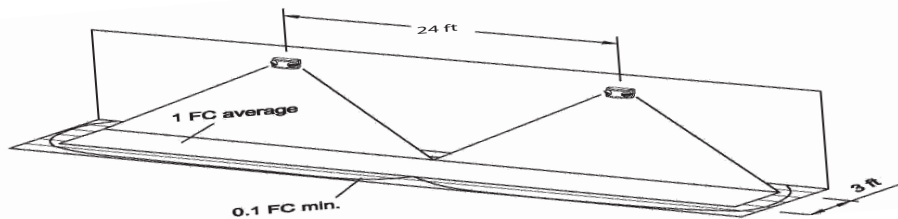
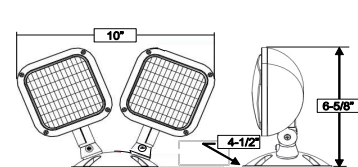
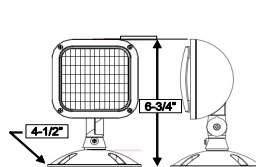
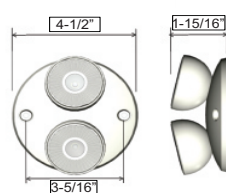
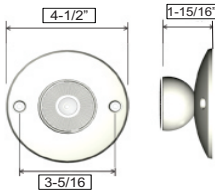
Full Part Number:

Telesis LED Series



Indoor Remote heads

Outdoor Remote Heads



Mounting height is 8' reflectance of 80-50-20

