

PROJECT NAME:	APPROVED BY:
CATALOG NO:	TYPE NO:

# WEATHERLITE - Architectural Emergency Light

## Wet Location LED

The Weatherlite emergency light provides an attractive solution to applications that require low profile egress emergency lighting with rugged durability and good looks. Constructed of Die-Cast Aluminum with a polycarbonate refractor and finished in epoxy powder coat, the Weatherlite is gasket sealed ready for use in both outdoor and indoor applications. LED's provide low energy consumption, bright uniform illumination, and long (50,000+ hours) lamp life.



### Construction

- Wet location listed for indoor or outdoor applications 0°C to 50°C, IP 65 rated, suitable for NEMA 4X
- Rugged die-cast aluminum construction
- Durable powder coat finish available in Dark Bronze or pure White
- Snap fit assembly with vandal resistant latch clips; no visibly hardware
- Gasket sealed to suit universal junction boxes
- Conduit entry provided on top of unit
- UV stabilized polycarbonate refractor resists yellowing and provides uniform distribution
- Externally accessible test switch for manual momentary test operation

### Electrical

- Optional cold temperature package for -20°C to 50°C applications
- Available as an AC only fixture
- Selectable photocell activation for night-time/security lighting
- Integral push to test switch with easily visible Bi-color LED diagnostic indicator
- Self Test / Self Diagnostic circuit is provided as standard thereby reducing manual testing obligations
- Automated 28 day self test checks lamp, battery, electronic circuitry, over a short one minute test
- Extended 30 minute emergency duration tests are automatically conducted every six months
- Premium long life, high temperature Nickel Cadmium battery provides the required 90 minute operation
- Field selectable universal 120 ~ 277 VAC input

- Brownout sensing assures emergency illumination during periods of low line voltage
- Self-compensating solid state Constant Current Charger provides extended float life and rapid recharge
- Zero current LVCO ensures positive charge acceptance following an extended discharge

### Illumination

- 15 watt high output LED module provide 1050 lumens at 5000 K color temperature
- Long (50,000 hour +) lamp life

### Certification

- Listed to UL 924 Damp and Wet location, meets NFPA 101 Life Safety Code, NFPA 70-NEC, and OSHA requirements



### Warranty

- 3 Year limited warranty

## ORDERING GUIDE - WEATHERLITE WL

Example: WLEM-BZ-CT

Model	Housing Color	Options
<b>WLAC</b> AC only operation with Photocell Activation <b>WLEM</b> Self-Contained Battery Back up with Photocell Activation <b>NOTE:</b> Photocell can be bypassed for optional remote switch or normally off standby	<b>BZ</b> Bronze <b>WH</b> White	<b>CT</b> Cold Temperature Operation (-20° C)
<b>WL</b>		

Fill in fields from categories above and complete type and part number.

Type Number:

Full Part Number:

# Weatherlite - Architectural Emergency Light Wet Location LED

## Included Self Diagnostic

<b>Diagnostic Indicator / Test Switch</b>	<span style="color: green;">●</span> Ready	<b>Manual Testing</b> Press button once - 1 minute test Press button twice - 5 minute test Press button 3 times - 30 minute test Press button 4 times - 90 minute test
	<span style="color: green;">●</span> In Test	
	<span style="color: red;">●</span> Battery Circuit Fault	
	<span style="color: red;">●</span> Battery Capacity Failure	
	<span style="color: red;">●</span> Charger Failure	
	<span style="color: red;">●</span> Transformer Fault	
<span style="color: red;">●</span> Lamp Failure		

## Optional Field Wiring Configurations:

### WLEM Model – NiCad Battery Backup

Integral photocell: Unit operates as a dusk to dawn luminaire and in the event of a power failure as an emergency light.

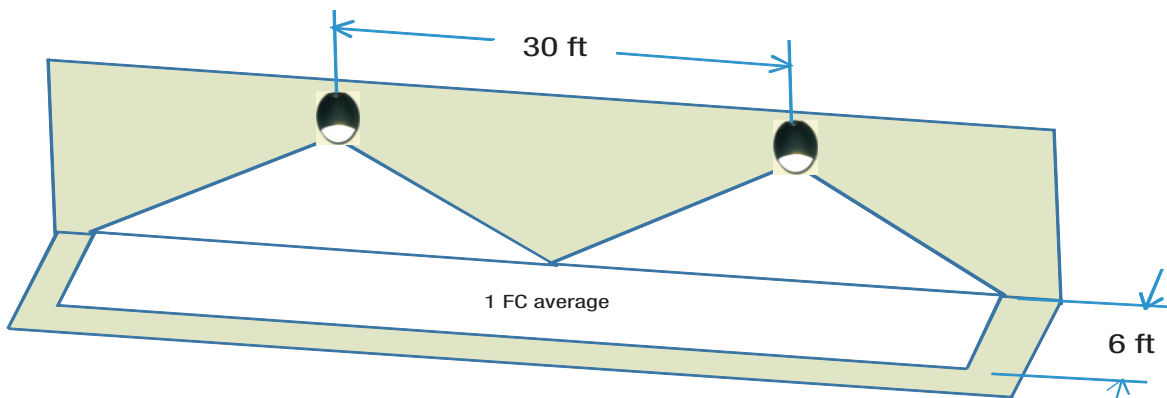
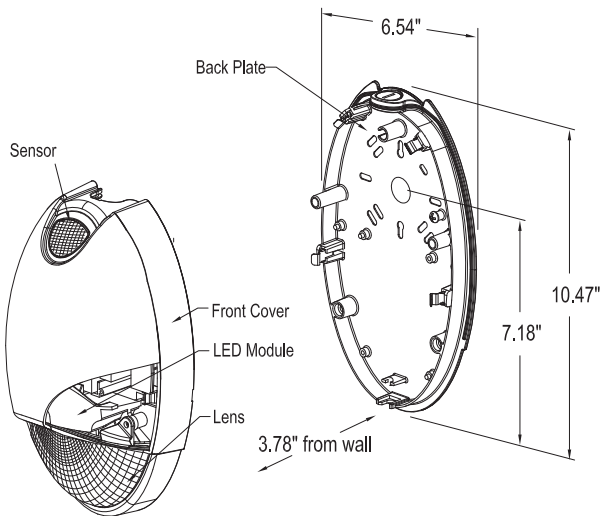
Remote Switched: The integral photocell can be defeated to allow remote switching for normal operation. In the event of a power failure unit operates as an emergency light.

Normally Off: Both the photocell and switch options can be defeated for use as a standard emergency light that only operates in battery backup mode in the event of power loss.

### WLAC Model (No Battery Backup)

Integral photocell: Enables operation as a dusk to dawn general lighting luminaire.

AC Only : The integral photocell can be defeated to allow remote switching as a general lighting luminaire.



**Note:** Meets Life Safety Code standard minimum illuminance of 0.1 FC and average illuminance of 1.0 FC. Illustration shown is a guideline for corridor center-to-center with 9 ft mounting height and Minimum 80-50-20 reflectance values.