

PROJECT NAME:	APPROVED BY:
CATALOG NO:	TYPE NO:

XCHCOM - STEEL LED EXIT & EMERGENCY COMBO

Chicago Approved Exit Sign

Evenlite's exit sign and emergency combination is constructed of 20 gauge steel and meets the City of Chicago exit sign requirements.

Construction

- Single or double face configuration
- Universal K/O pattern on back plate for wall mount
- Durable 20-gauge steel construction
- White or black finish
- Mounting canopy included for top or end mount

Electrical

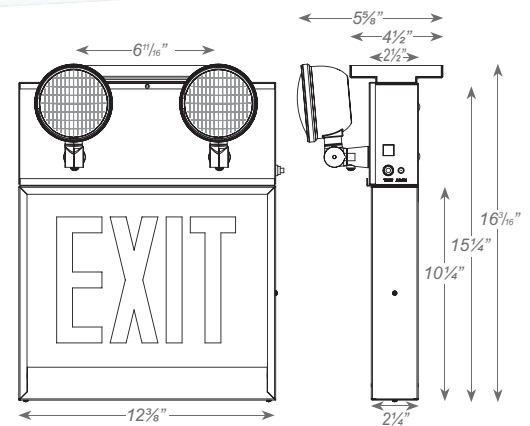
- Dual 120/277 voltage standard
- Charge rate/power "ON" LED indicator light and push-to-test switch for mandated code compliance testing
- 6V sealed lead acid, maintenance-free, rechargeable battery
- Internal solid-state transfer switch automatically connects the internal battery to LED board and LED lamp heads for minimum 120 minute emergency illumination
- Fully automatic solid-state, two rate charger initiates battery charging to recharge a discharged battery in 24 hours
- LVD (low voltage disconnect) prevents battery from deep discharge
- Remote capacity option available

Illumination

- Long lasting, energy efficient white LED exit sign illumination
- Two 6V 5.3W adjustable white LED lamp heads

Certification

- Meets UL924, NFPA 101 Life Safety Code, NEC, OSHA, Local and State Codes
- UL Listed for damp locations (20°C – 50°C)



Warranty

- Five year warranty on all electronics and housing
- Battery pro rated for two years

ORDERING GUIDE – XCHCOM

Example: XCHCOM-1R-R-W-3

Model	Number of Faces	Letter Color	Housing Color	Single Face Legend Code	Double Face Legend Code	Options
XCHCOM	1 Single Face 2 Double Face	R Red	W White (Standard)	3 Exit (No Arrow) 6* Exit (Right Arrow) 9* Exit (left arrow) 12 Exit (double arrow) 2 Stairs (no arrow) 5* Stairs (Right Arrow) 8* Stairs (Left Arrow) 11 Stairs (Double Arrow) <i>* Single Face Only</i>	18 Exit (No Arrow) 21** Exit (Right/Left Arrow) 24 Exit (Double Arrow) 17 Stairs (No Arrow) 20** Stairs (Right/Left Arrow) 23 Stairs (Double Arrow) <i>** Double Face Only</i>	RC Remote Capacity (6V 10W) B Black Housing and Heads
XCHCOM						

Fill in fields from categories above and complete type and part

Type Number:

Full Part Number:

XCHCOM - 7/5/22