

BOOM-SHAPES (01)

Linear Fixtures - Suspended



BOOM



- Impactful and highly customizable
- Direct/indirect fixtures provides primary illumination
- Create L-Shapes, T-Shapes, U-shapes, Crosses, Squares, and Rectangles
- Decorative panels and end caps match any interior
- Vast assortment of efficient light engines specifiable down to the inch
- Up and down optics allow for flexibility in design

BOOM-SHAPES (01)

Linear Fixtures - Suspended



Pictured with anodized satin decor panel and flat blue end caps

BOOM! We're hitting the lighting world hard with the introduction of our latest suspended offering. Impactful and highly customizable, this direct/indirect fixture allows you to create lines, squares, rectangles, U-shapes, and T-Shapes. Decorative panels and end caps match any décor, pairing sophisticated style with the high quality of our vast assortment of light engines and optics.

BOOM ORDERING PROCESS

- 1 Specify assembled fixture details
- 2 Specify downlight
- 3 Specify uplight
- 4 Specify suspension kit(s)

1 ASSEMBLED FIXTURE DETAILS - Part Number Builder

Product	Assembled Fixture	Control	Extrusion Finish	Decor Panel	End Caps	End Cap/ Connector Finish	Dust Cover	Power Feed	Nominal Length (in)*
BOOM01									
	<ul style="list-style-type: none"> L - L Shape T - T Shape U - U Shape CR - Cross SQ - Square RC - Rectangle 	<ul style="list-style-type: none"> 1C - 1 Circuit 2C - 2 Circuit 	<p>Anodized Aluminum</p> <ul style="list-style-type: none"> ST - Satin BK - Black BZ - Bronze <p>Powder Coated Aluminum</p> <ul style="list-style-type: none"> WH - Matte White CU - Custom RAL color 	<p>Anodized Aluminum</p> <ul style="list-style-type: none"> ST - Satin BK - Black BZ - Bronze BS - Brass GM - Gunmetal BL - Blue <p>Powder Coated Aluminum</p> <ul style="list-style-type: none"> WH - Matte White CU - Custom RAL color N/A - No Decor Panel Selected 	<ul style="list-style-type: none"> FT - Flat CH - Chamfer AG - Angle N/A - Square/Rectangle 	<p>Molded Plastic</p> <ul style="list-style-type: none"> GY - Grey BK - Black WH - Matte White RD - Red BL - Blue YL - Yellow <p>Painted Plastic</p> <ul style="list-style-type: none"> CU - Custom RAL color 	<ul style="list-style-type: none"> CL - N/A <p>Dust cover comes standard unless otherwise specified</p>	<ul style="list-style-type: none"> WH - Matte White BK - Black SV - Silver 	<ul style="list-style-type: none"> 1 2 3 4

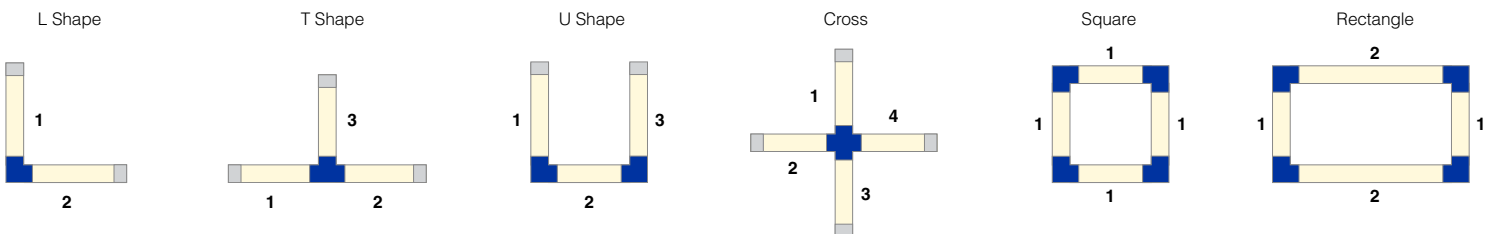
*Maximum fixture length of 144". Minimum fixture length 24". Bare wire connection only.

Length based on distance between suspension points. End cap choices impact overall length.

Shop drawings required. ** See pages 9-10 for suspension kit options. See pages 10-12 for order examples.

KEY

- Single cable feed
- Double cable feed



- 5 year warranty
- Field modifications void warranty
- Data subject to change, all data has +/- 5% tolerance
- Compatible for use with Q-Tran power supplies
- Power supplies to be selected for compatibility with uplight and downlight LED light engines

BOOM-SHAPES (01)

Linear Fixtures - Suspended



2 DOWNLIGHT - Part Number Builder

Product	Light Engine	Watts/Ft	CCT/Color	Lens Down Internal	Lens Down External
BOOM01-DOWN					
	SW - Static White	1.5 3.0 4.0 5.0 6.0	20 22 24 27 30 35 40	GZR 25D 40D 50D N/A	CL FR PR DF GI*
	DW - Dynamic White	6.0 3.0HE 5.0HE 8.0HE	20/27 20/30 20/27 20/30 27/40 27/55		
	WD - Warm Dim	6.0	19/27 19/30		
	RGB - RGB	6.0	RGB		

*For Gel Insert, please reference Rosco gel www.rosco.com

If an internal lens is selected, CL or FR external lens is recommended

3 UPLIGHT - Part Number Builder

Product	Light Engine	Watts/Ft	CCT/Color	Lens Up
BOOM01-UP				
	SW - Static White	1.5 3.0 4.0 5.0 6.0	20 22 24 27 30 35 40	40D 60D 70D 90D 110D 145D 170D ASYM
	DW - Dynamic White	6.0 3.0HE 5.0HE 8.0HE	20/27 20/30 20/27 20/30 27/40 27/55	
	WD - Warm Dim	6.0	19/27 19/30	
	RGB - RGB	6.0	RGB	

See q-tran.com Linear LED Strips for photometric data on all LED Light engines

- 5 year warranty
- Field modifications void warranty
- Data subject to change, all data has +/- 5% tolerance
- Compatible for use with Q-Tran power supplies
- Power supplies to be selected for compatibility with uplight and downlight LED light engines

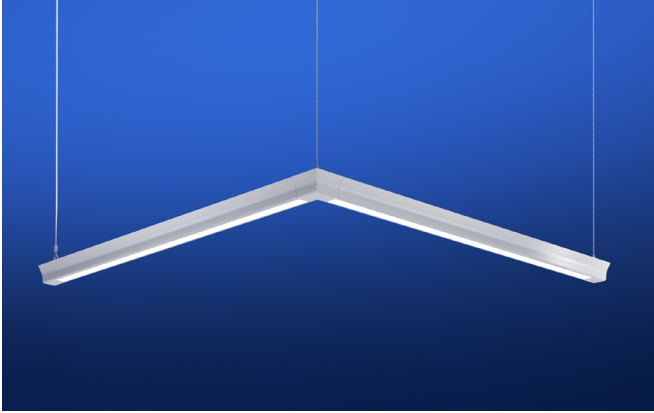
BOOM-SHAPES (01)

Linear Fixtures - Suspended

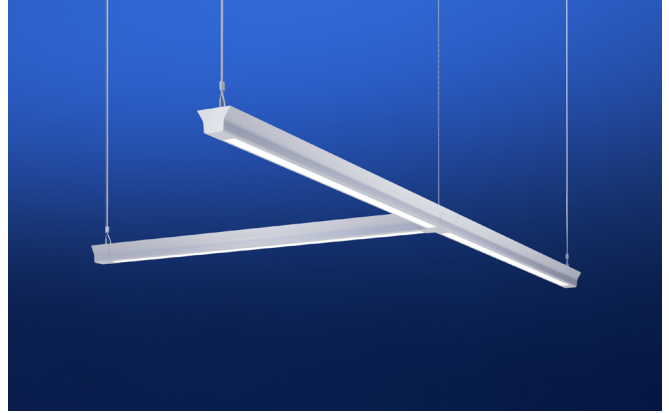


Assembled Fixture

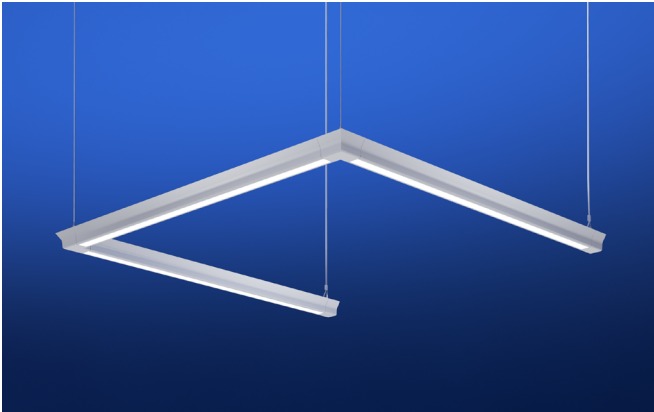
L - L SHAPE



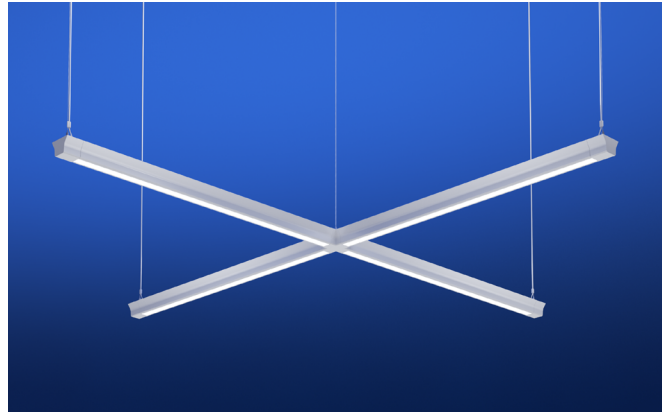
T - T SHAPE



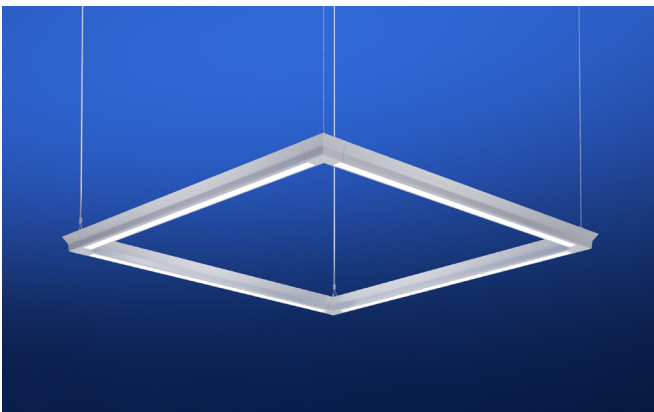
U - U SHAPE



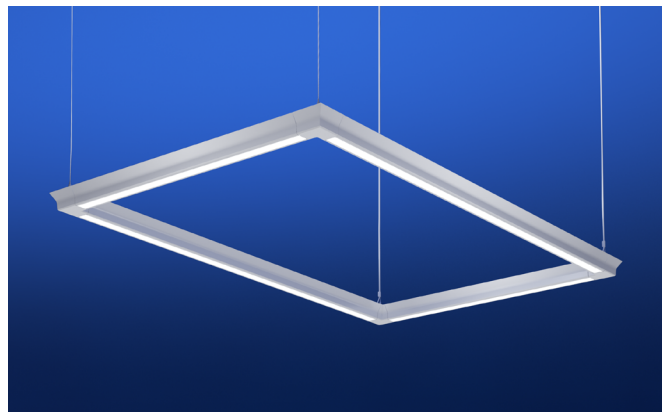
CR - CROSS



SQ - SQUARE



RC - RECTANGLE



BOOM-SHAPES (01)

Linear Fixtures - Suspended



Control

1 CIRCUIT	Uplight and downlight controlled together
2 CIRCUIT	Uplight and downlight controlled separately

Extrusion Finishes

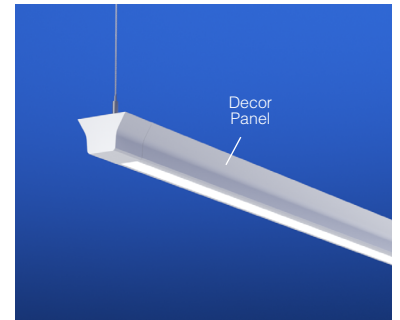
Finish when Decor Panel is not selected

Anodized Aluminum			Powder Coated Aluminum
ST	BK	BZ	WH
Satin	Black	Bronze	Matte White

Decor Panel Finishes

Anodized Aluminum						Powder Coated Aluminum
ST	BK	BZ	BS	GM	BL	WH
Satin	Black	Bronze	Brass	Gunmetal	Blue	Matte White

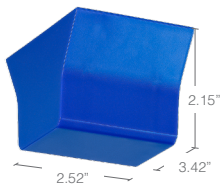
Custom color available upon request



End Cap Profiles

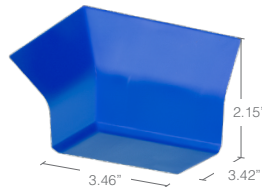
Injection Molded Plastic

FT



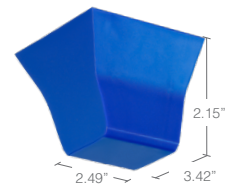
Flat

CH



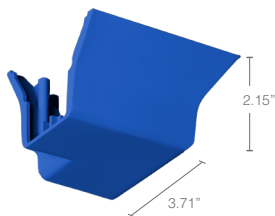
Chamfer

AG

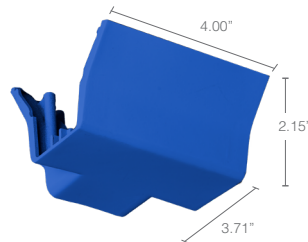


Angle

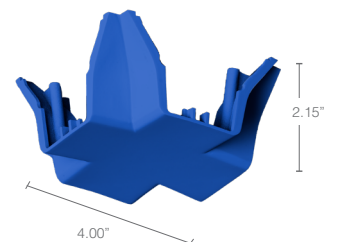
CORNER



T-SHAPE



CROSS



Painted End Cap Finishes

GY	BK	WH	RD	BL	YL
Grey	Black	Matte White	Red	Blue	Yellow

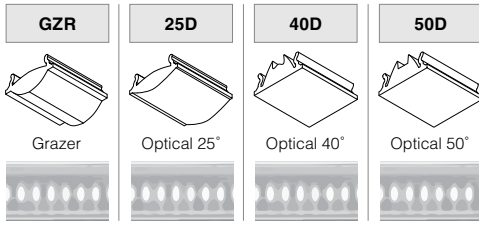
Custom color available upon request

BOOM-SHAPES (01)

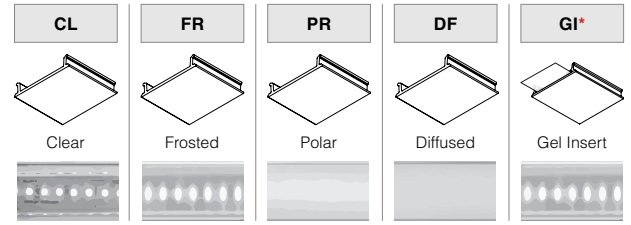
Linear Fixtures - Suspended



Lens Down Internal

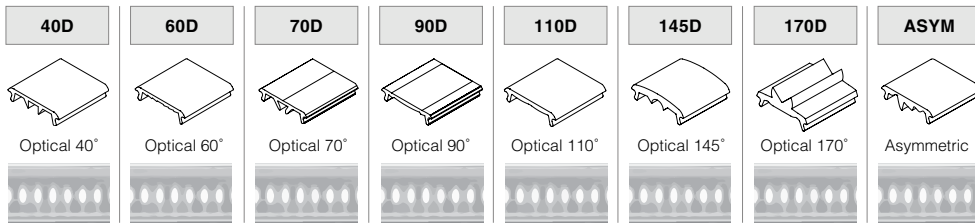


Lens Down External



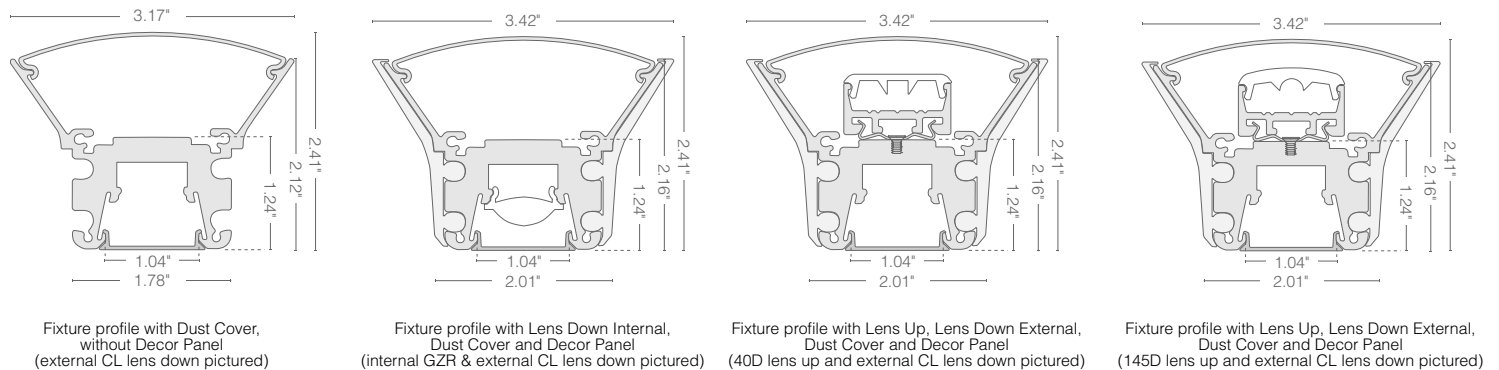
*For Gel Insert, please reference Rosco gel www.rosco.com

Lens Up

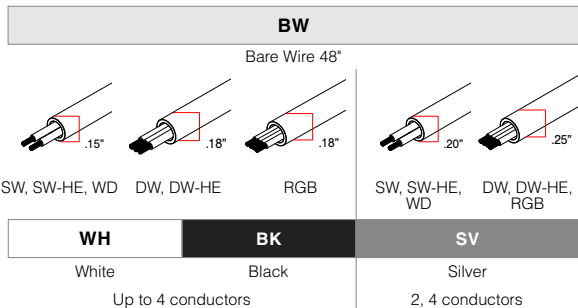


Dimensions

Fixture Cross-Section

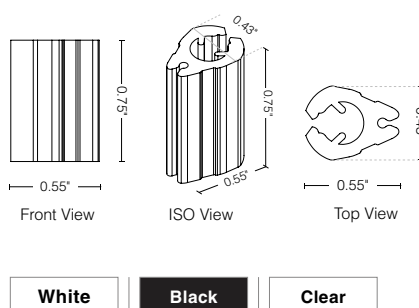


Power Feed

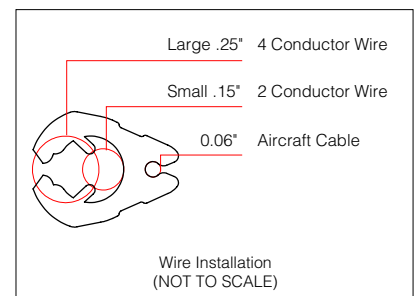


Cable Stay Clip

2 per electrical drop. Additional clips available upon request.



Color matches the color of power feed chosen
(Clear Cable Stay Clip provided with Silver power feed)



BOOM-SHAPES (01)

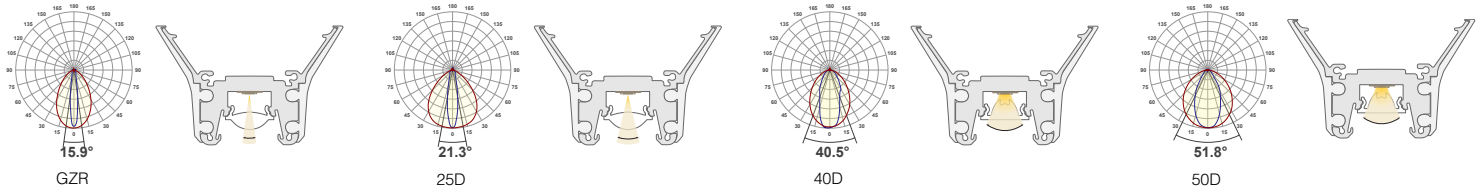
Linear Fixtures - Suspended



Photometric Performance NOTE: Nominal beam spread shown, beam spread varies based on light engine. For more detailed information, see IES PDF file.

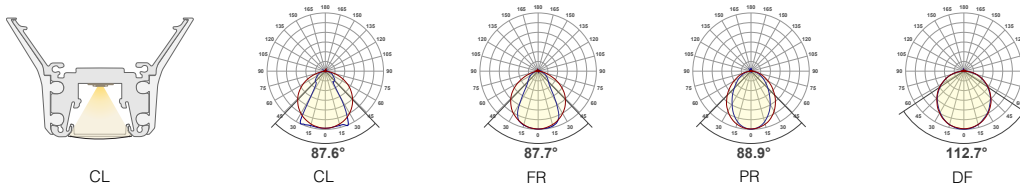
Lens Down Internal

Tested with SW24/5.0 3000K LED



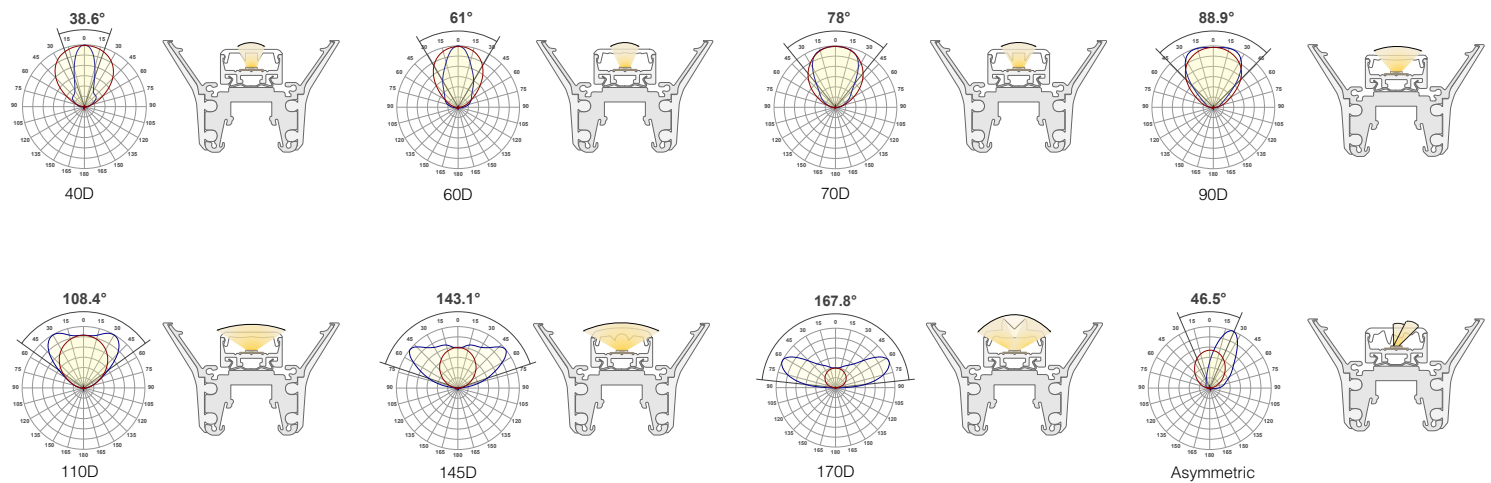
Lens Down External

Tested with SW24/5.0 3000K LED



Lens Up

Tested with SW24/5.0 3000K LED



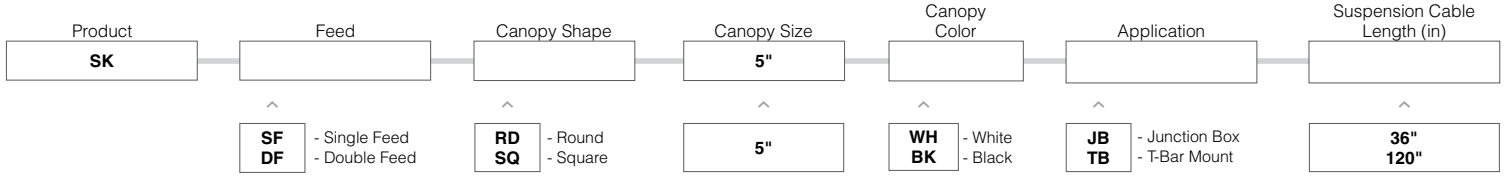
BOOM-SHAPES (01)

Linear Fixtures - Suspended

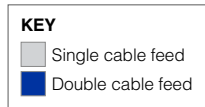
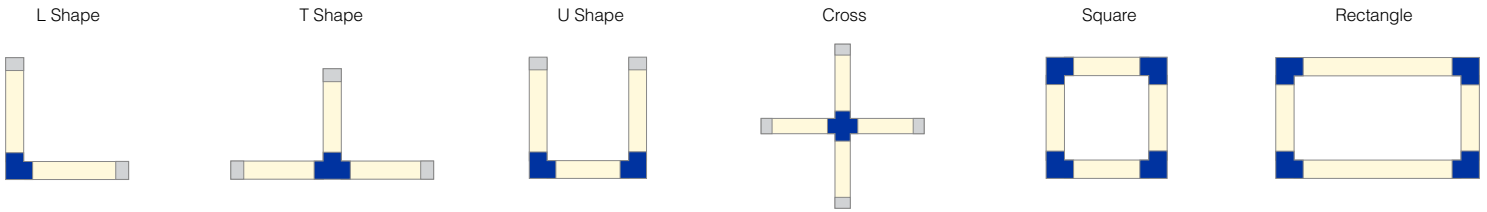
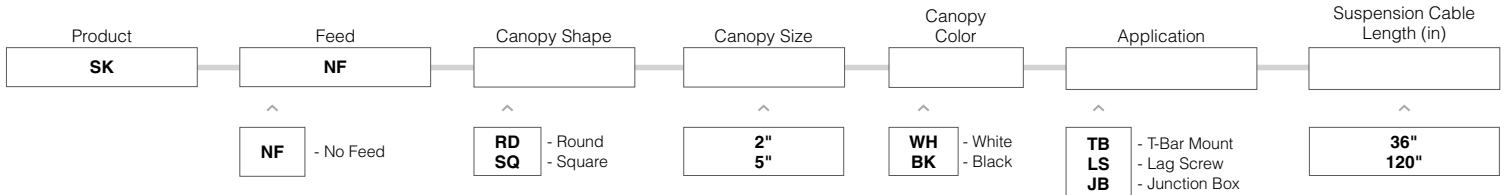


4 SUSPENSION KITS - Part Number Builder

POWER FEED SUSPENSION KIT



NON-FEED SUSPENSION KIT



- Shop drawings required
- Fixture lengths over 10' deflect slightly by 3/16"
- If no suspension length provided, 36" is standard
- Suspension cable maximum length: 120"
- Suspension cable is field cuttable
- Consult factory for power over aircraft
- Consult factory for custom color of canopy
- Lag Screw is for mounting into drywall, wood, or other types of finished ceilings for non-feed mounting only

Kit Contents

- 1/16" Steel suspension cable – 36" standard
- Selected canopy
- Cable Gripper
- Cable Coupler

JBOX

- Bracket to mount to junction box (junction box not included)
- Wire strain relief
- Ties for securing electrical cable to suspension cable
- 4x4" junction box required but provided by others

T-BAR – feed

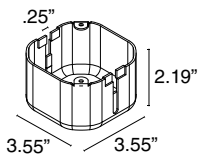
- Includes junction box specifically designed for T-BAR applications
- Bracket to mount to junction box
- Wire strain relief
- Ties for securing electrical wire to suspension cable

T-BAR – non-feed

- Bracket to mount to T-BAR (no junction box)

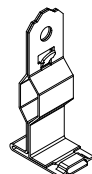
LAG SCREW – non-feed only

- Double ended screw, with a wood thread side and machine thread side
- One piece cable coupler



T-BAR JBOX

Included with T-Bar feed kits



T-BAR CLIP

Included with T-Bar non-feed kits



LAG SCREW

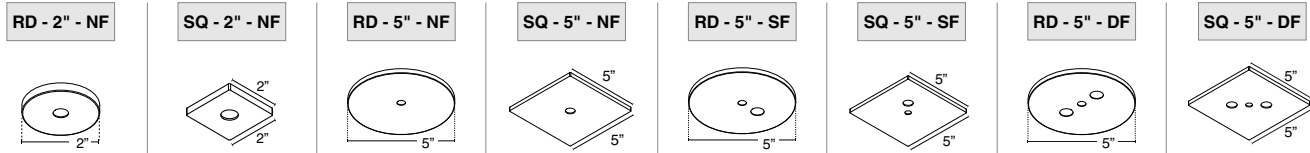
Included with Lag Screw non-feed kits

BOOM-SHAPES (01)

Linear Fixtures - Suspended



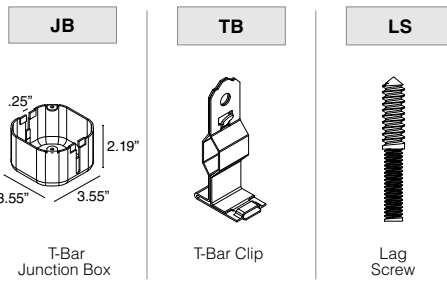
Canopy Options



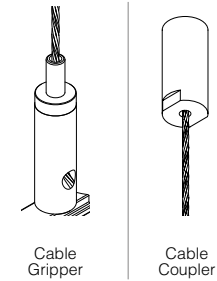
Canopy Finish



Application

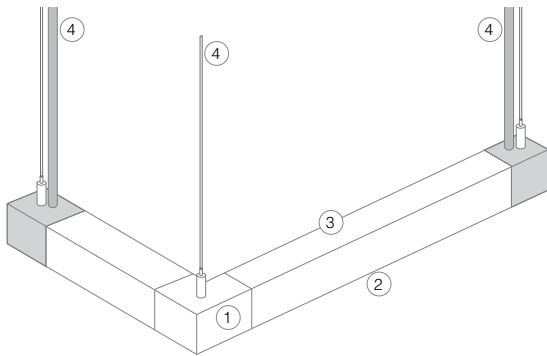


Kit Hardware



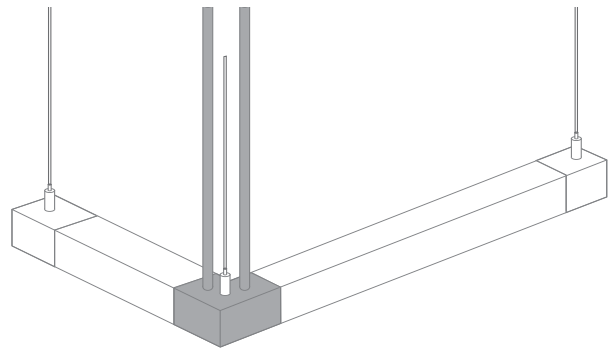
Order Examples

L SHAPE



SINGLE CABLE FEED

1. BOOM01-L-2C-ST-ST-FT-BL-CL-SV-(1-XX")(2-XX")
2. BOOM01-DOWN-SW-5.0-35-NA-DF
3. BOOM01-UP-SW-6.0HE-35-110D
4. SK-SF-RD-5"-WH-JB-XX" (x2), SK-NF-RD-5"-WH-JB-XX"



DOUBLE CABLE FEED

1. BOOM01-L-2C-ST-ST-FT-BL-CL-SV-(1-XX")(2-XX")
2. BOOM01-DOWN-SW-5.0-35-NA-DF
3. BOOM01-UP-SW-6.0HE-35-110D
4. SK-DF-RD-5"-WH-TB-XX", SK-NF-RD-2"-WH-TB-XX" (x2)

BOOM ORDERING PROCESS

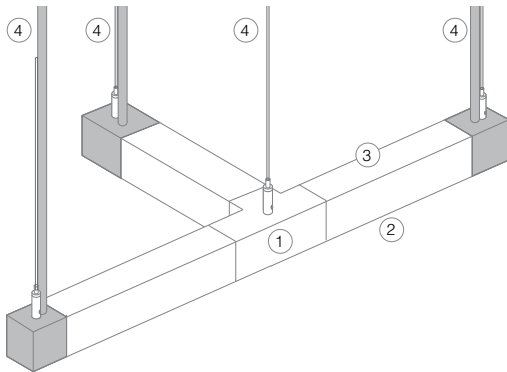
- 1 Specify assembled fixture details
- 2 Specify downlight
- 3 Specify uplight
- 4 Specify suspension kit

BOOM-SHAPES (01)

Linear Fixtures - Suspended

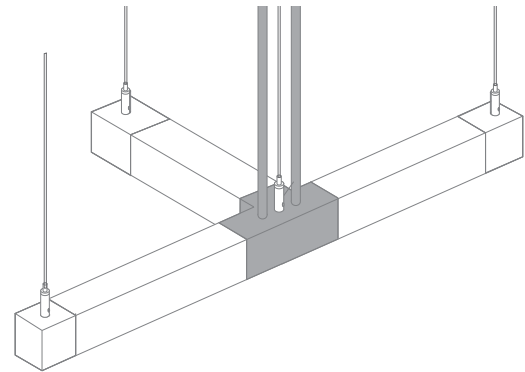


T SHAPE



SINGLE CABLE FEED

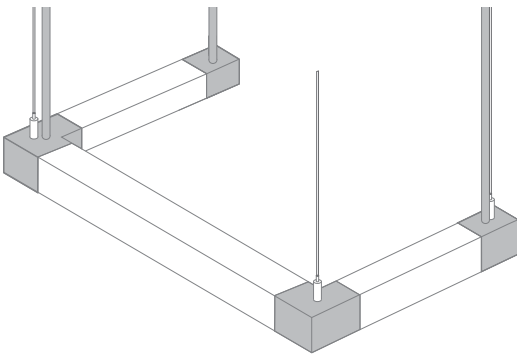
1. BOOM01-T-2C-ST-ST-FT-BL-CL-SV-(1-XX"')(2-XX"')(3-XX"')
2. BOOM01-DOWN-SW-5.0-35-NA-DF
3. BOOM01-UP-SW-6.0HE-35-110D
4. SK-SF-RD-5"-WH-JB-XX" (x3), SK-NF-RD-5"-WH-JB-XX"



DOUBLE CABLE FEED

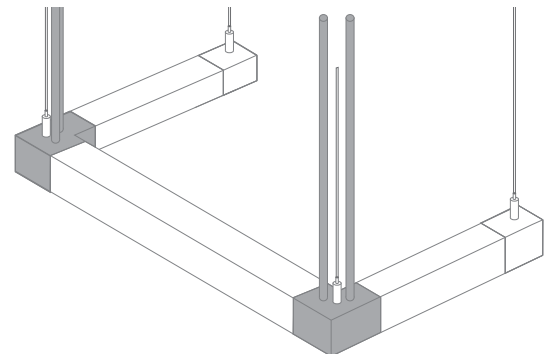
1. BOOM01-T-2C-ST-ST-FT-BL-CL-SV-(1-XX"')(2-XX"')(3-XX"')
2. BOOM01-DOWN-SW-5.0-35-NA-DF
3. BOOM01-UP-SW-6.0HE-35-110D
4. SK-DF-RD-5"-WH-TB-XX", SK-NF-RD-2"-WH-TB-XX" (x3)

U SHAPE



SINGLE CABLE FEED

1. BOOM01-U-2C-ST-ST-FT-BL-CL-SV-(1-XX"')(2-XX"')(3-XX"')
2. BOOM01-DOWN-SW-5.0-35-NA-DF
3. BOOM01-UP-SW-6.0HE-35-110D
4. SK-SF-RD-5"-WH-JB-XX" (x3), SK-NF-RD-2"-WH-JB-XX"



DOUBLE CABLE FEED

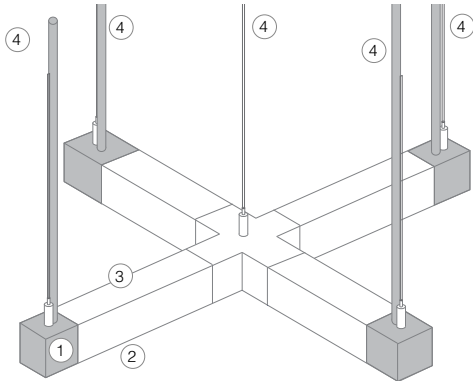
1. BOOM01-U-2C-ST-ST-FT-BL-CL-SV-(1-XX"')(2-XX"')(3-XX"')
2. BOOM01-DOWN-SW-5.0-35-NA-DF
3. BOOM01-UP-SW-6.0HE-35-110D
4. SK-DF-RD-5"-WH-TB-XX" (x2), SK-NF-RD-2"-WH-TB-XX" (x2)

BOOM-SHAPES (01)

Linear Fixtures - Suspended

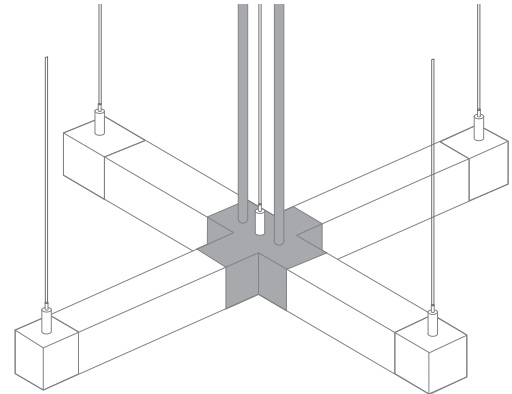


CROSS



SINGLE CABLE FEED

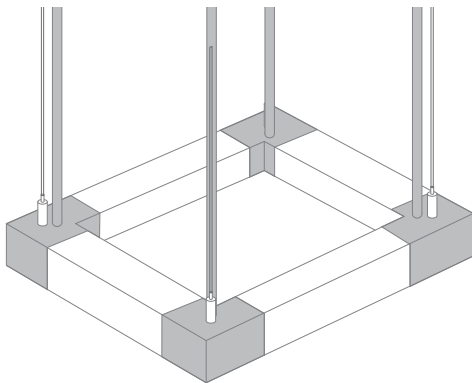
1. BOOM01-CR-2C-ST-ST-FT-BL-CL-SV-(1-XX")(2-XX")(3-XX")(4-XX")
2. BOOM01-DOWN-SW-5.0-35-NA-DF
3. BOOM01-UP-SW-6.0HE-35-110D
4. SK-SF-RD-5"-WH-JB-XX" (x4), SK-NF-RD-5"-WH-JB-XX"



DOUBLE CABLE FEED

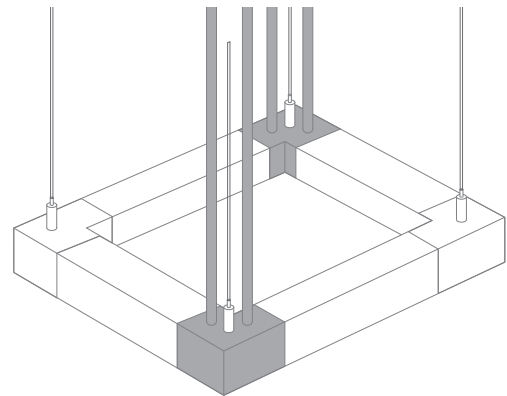
1. BOOM01-CR-2C-ST-ST-FT-BL-CL-SV-(1-XX")(2-XX")(3-XX")(4-XX")
2. BOOM01-DOWN-SW-5.0-35-NA-DF
3. BOOM01-UP-SW-6.0HE-35-110D
4. SK-DF-RD-5"-WH-TB-XX", SK-NF-RD-2"-WH-TB-XX" (x4)

SQUARE/RECTANGLE



SINGLE CABLE FEED

1. BOOM01-XX-2C-ST-ST-NA-BL-CL-SV-(XX")
2. BOOM01-DOWN-SW-5.0-35-NA-DF
3. BOOM01-UP-SW-6.0HE-35-110D
4. SK-DF-RD-5"-WH-JB-XX" (x4)



DOUBLE CABLE FEED

1. BOOM01-XX-2C-ST-ST-NA-BL-CL-SV-(XX")
2. BOOM01-DOWN-SW-5.0-35-NA-DF
3. BOOM01-UP-SW-6.0HE-35-110D
4. SK-DF-RD-5"-WH-TB-XX" (x2), SK-NF-RD-5"-WH-TB-XX" (x2)