

BOOM-POA (01)

Linear Fixtures - Suspended



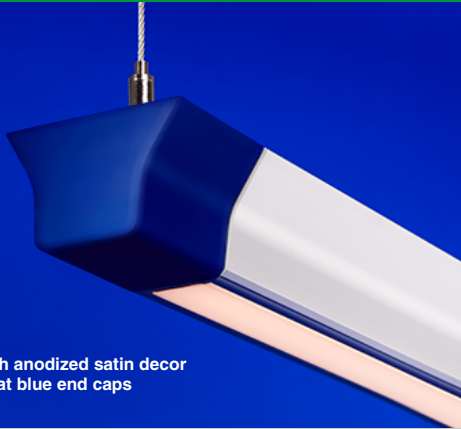
BOOM



- Impactful and highly customizable single runs up to 12'
- Direct/indirect fixture provides primary illumination
- Decorative panels and end caps match any interior
- Vast assortment of efficient light engines specifiable down to the inch
- Up and down optics allow for flexibility in design

BOOM-POA (01)

Linear Fixtures - Suspended



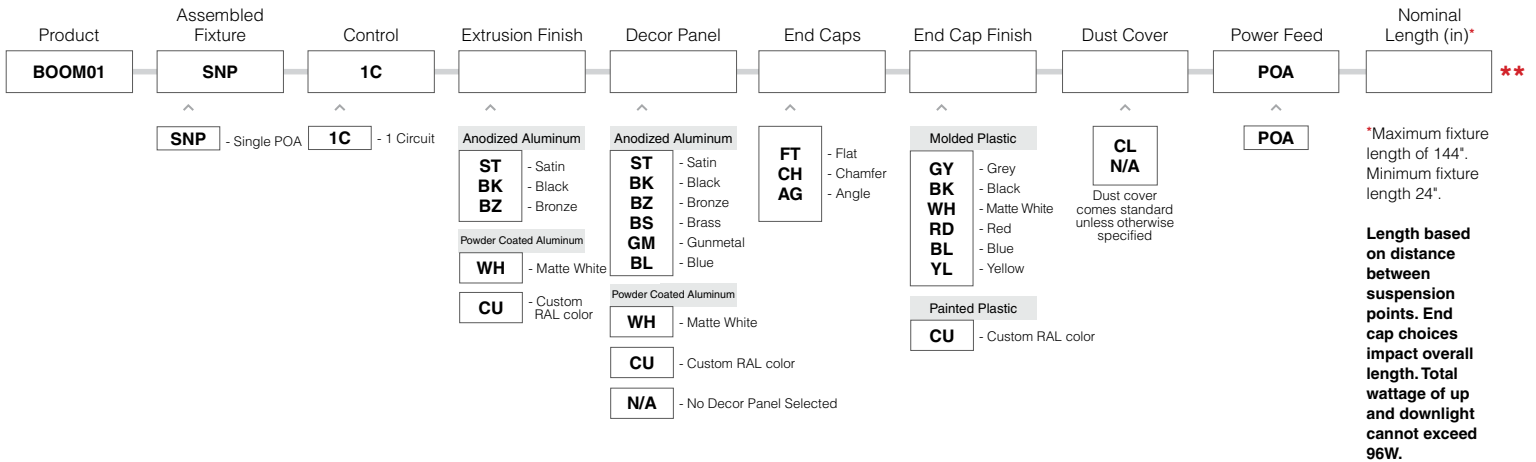
Pictured with anodized satin decor panel and flat blue end caps

BOOM! We're hitting the lighting world hard with the introduction of our latest suspended offering. Impactful and highly customizable, this direct/indirect fixture allows you to create lines, squares, rectangles, U-shapes, and T-Shapes. Decorative panels and end caps match any décor, pairing sophisticated style with the high quality of our vast assortment of light engines and optics.

BOOM ORDERING PROCESS

- 1 Specify assembled fixture details
- 2 Specify downlight
- 3 Specify uplight
- 4 Specify suspension kit(s)

1 ASSEMBLED FIXTURE DETAILS - Part Number Builder



Shop drawings required.
 ** See pages 7-8 for suspension kit options.

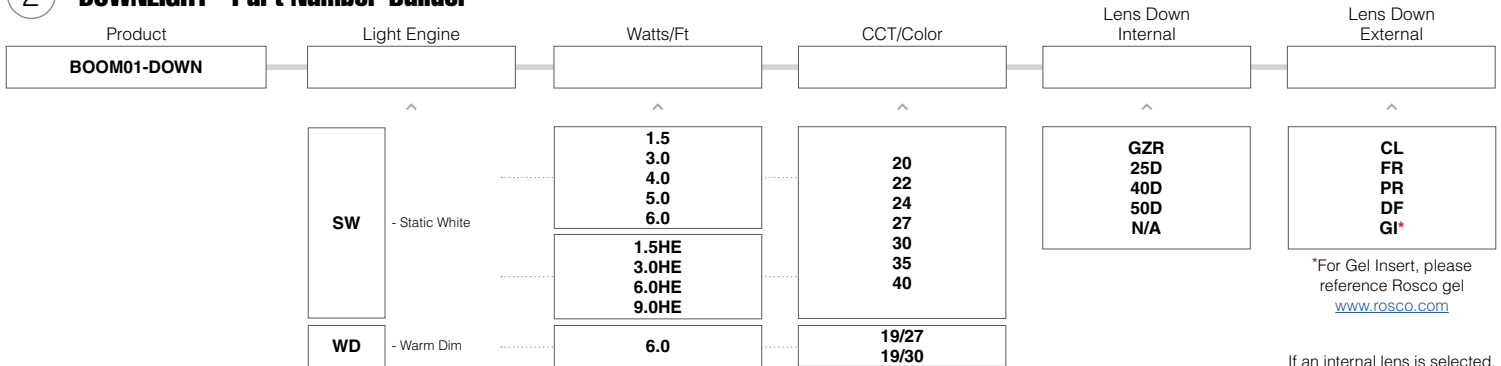
- 5 year warranty
- Field modifications void warranty
- Data subject to change, all data has +/- 5% tolerance
- Compatible for use with Q-Tran power supplies
- Power supplies to be selected for compatibility with uplight and downlight LED light engines

BOOM-POA (01)

Linear Fixtures - Suspended



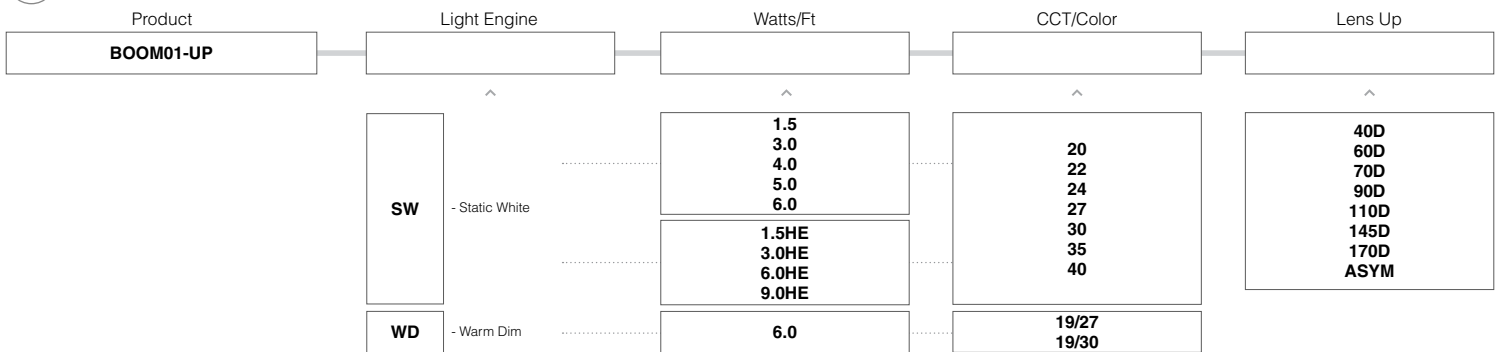
2 DOWNLIGHT - Part Number Builder



*For Gel Insert, please reference Rosco gel www.rosco.com

If an internal lens is selected, CL or FR external lens is recommended

3 UPLIGHT - Part Number Builder



See q-tran.com Linear LED Strips for photometric data on all LED Light engines

- 5 year warranty
- Field modifications void warranty
- Data subject to change, all data has +/- 5% tolerance
- Compatible for use with Q-Tran power supplies
- Power supplies to be selected for compatibility with uplight and downlight LED light engines

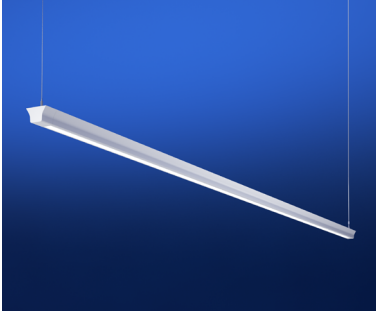
BOOM-POA (01)

Linear Fixtures - Suspended



Assembled Fixture

SN - SINGLE



Control

1 CIRCUIT Uplight and downlight controlled together

Extrusion Finishes

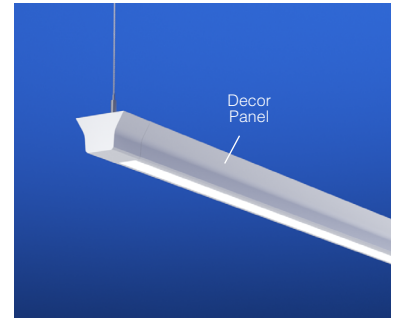
Finish when Decor Panel is not selected

Anodized Aluminum			Powder Coated Aluminum
ST	BK	BZ	WH
Satin	Black	Bronze	Matte White

Decor Panel Finishes

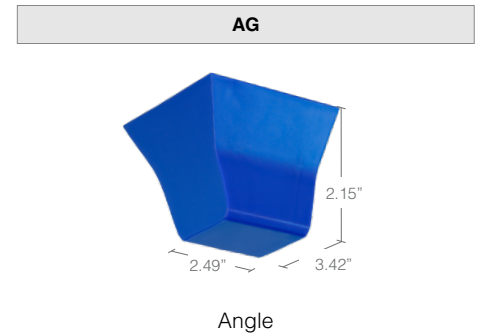
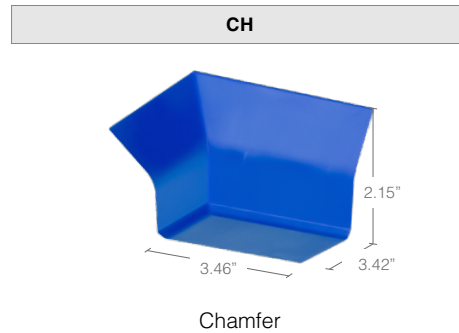
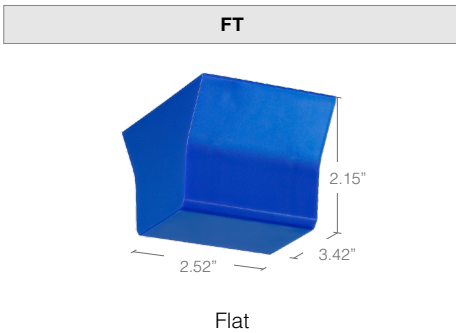
Anodized Aluminum						Powder Coated Aluminum
ST	BK	BZ	BS	GM	BL	WH
Satin	Black	Bronze	Brass	Gunmetal	Blue	Matte White

Custom color available upon request



End Cap Profiles

Injection Molded Plastic



Painted End Cap Finishes

GY	BK	WH	RD	BL	YL
Grey	Black	Matte White	Red	Blue	Yellow

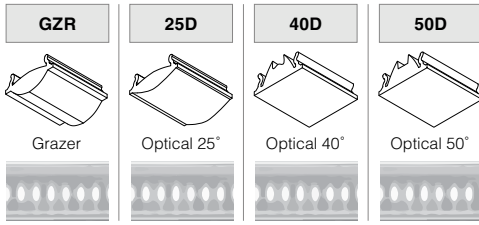
Custom color available upon request

BOOM-POA (01)

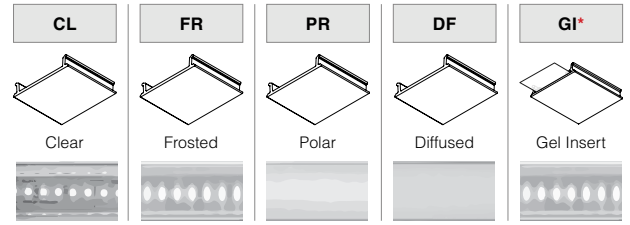
Linear Fixtures - Suspended



Lens Down Internal

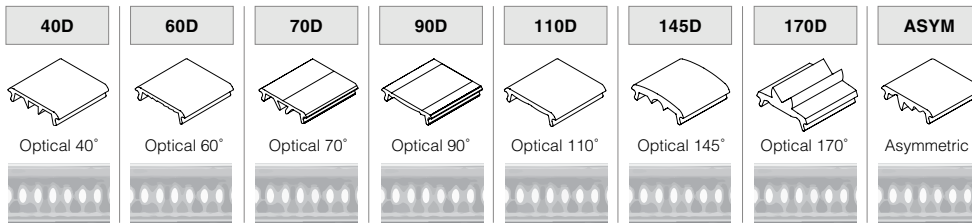


Lens Down External



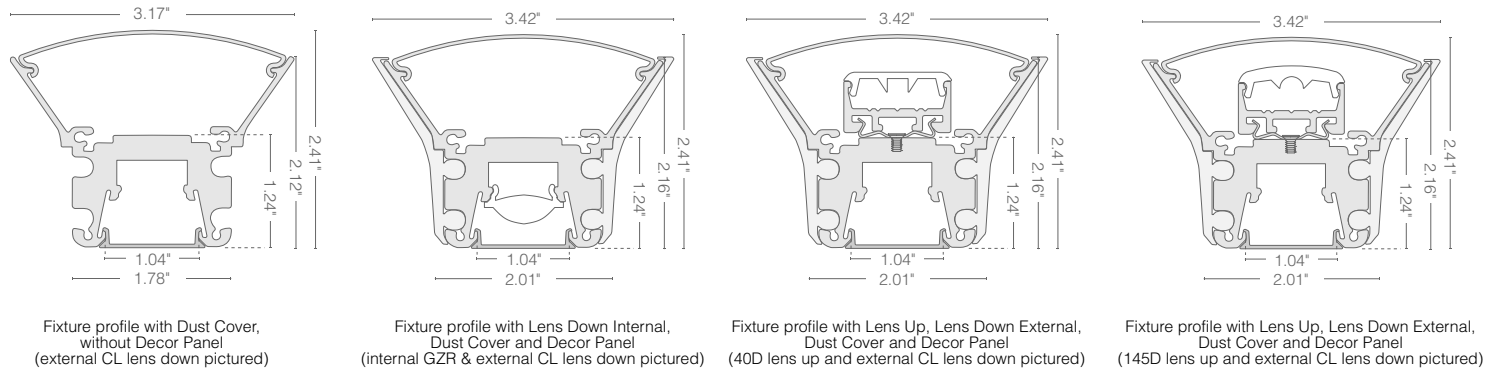
*For Gel Insert, please reference Rosco gel www.rosco.com

Lens Up



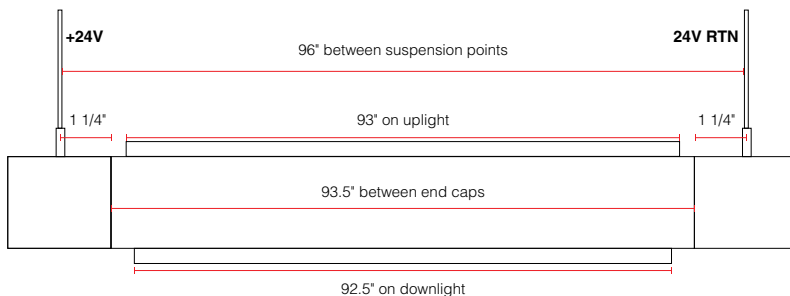
Dimensions

Fixture Cross-Section



Suspension

Based on 8' on suspension. **Shop drawings required.**



BOOM-POA (01)

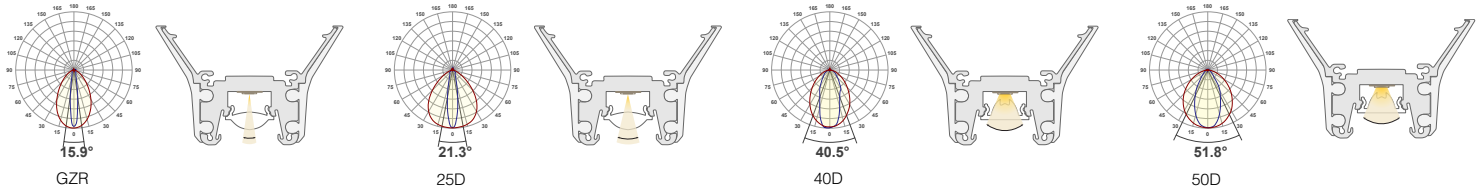
Linear Fixtures - Suspended



Photometric Performance NOTE: Nominal beam spread shown, beam spread varies based on light engine. For more detailed information, see IES PDF file.

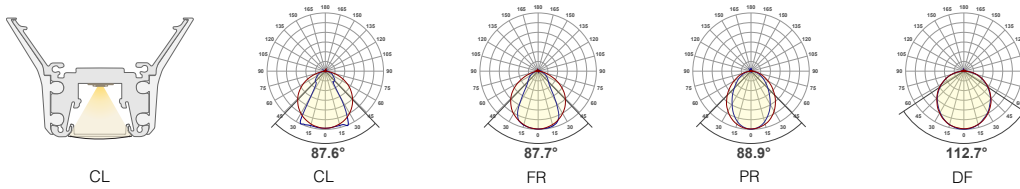
Lens Down Internal

Tested with SW24/5.0 3000K LED



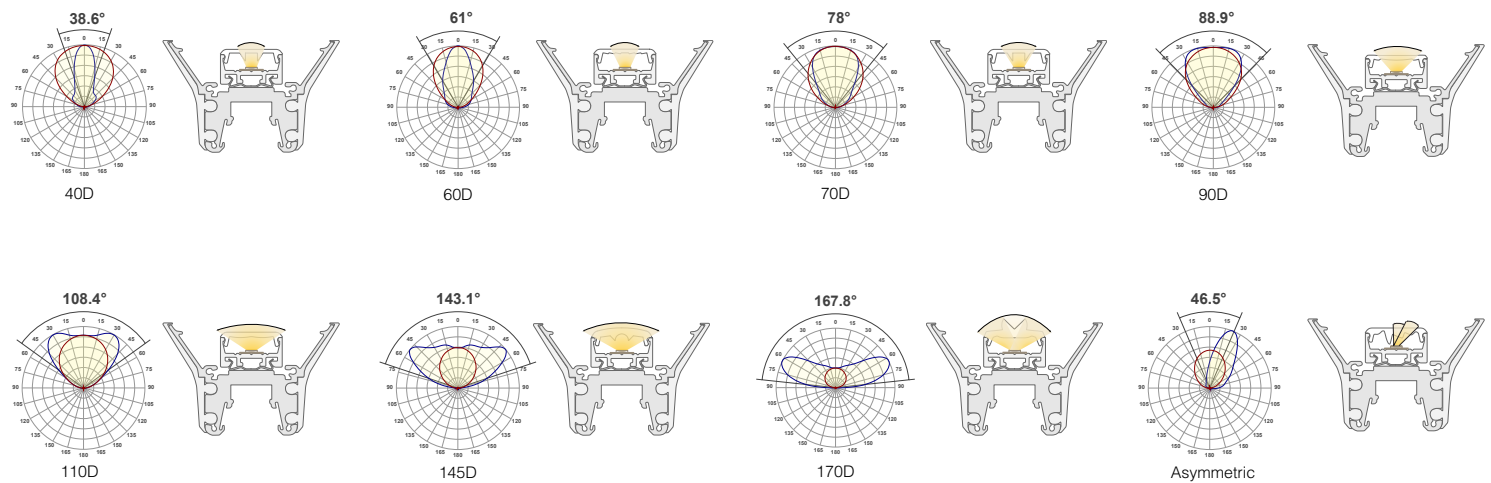
Lens Down External

Tested with SW24/5.0 3000K LED



Lens Up

Tested with SW24/5.0 3000K LED



BOOM-POA (01)

Linear Fixtures - Suspended



Technical Information Delivered lumens

See photometric files for complete details.

Static White [Calculated L70 = 70000 hrs]

Tested with BOOM01-**-SW-**-30-**-**

Static White High Efficacy

[Calculated L70 = 70000 hrs]

Tested with BOOM01-**-SW-HE-**-30-**-**

Warm Dim

[Calculated L70 = 70000 hrs]

Tested with BOOM01-**-WD-6.0-**-**

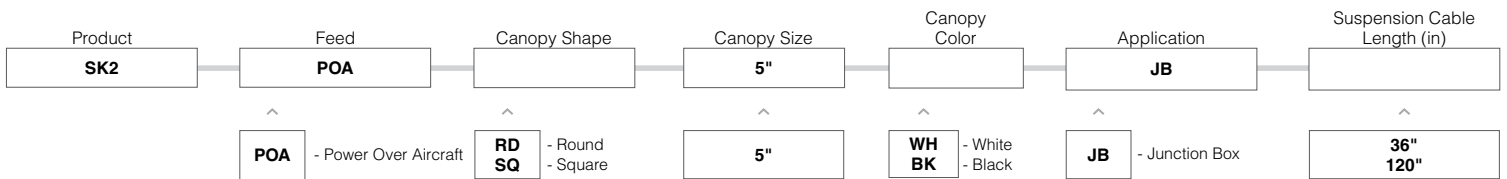
DOWNLIGHT INTERNAL										
	1.5W/FT		3.0W/FT		4.0W/FT		5.0W/FT		6.0W/FT	
	LM/FT	CRI	LM/FT	CRI	LM/FT	CRI	LM/FT	CRI	LM/FT	CRI
GZR	129	98	242	98	291	98	349	98	385	98
25D	121	98	229	98	279	98	335	98	368	98
40D	113	98	212	98	250	98	295	98	340	98
50D	122	98	231	98	286	98	338	98	376	98
DOWNLIGHT EXTERNAL										
	1.5W/FT		3.0W/FT		4.0W/FT		5.0W/FT		6.0W/FT	
	LM/FT	CRI	LM/FT	CRI	LM/FT	CRI	LM/FT	CRI	LM/FT	CRI
CL	122	97	232	99	285	98	339	98	383	98
FR	119	97	223	98	274	98	327	98	361	98
PR	113	97	204	98	245	98	305	98	339	98
DF	101	97	180	98	221	98	267	98	299	98
GI	**	**	**	**	**	**	**	**	**	**
UPLIGHT										
	1.5W/FT		3.0W/FT		4.0W/FT		5.0W/FT		6.0W/FT	
	LM/FT	CRI	LM/FT	CRI	LM/FT	CRI	LM/FT	CRI	LM/FT	CRI
40D	156	98	281	98	331	98	415	98	456	98
60D	142	98	255	98	315	98	389	98	421	98
70D	149	98	262	98	321	98	402	98	440	98
90D	146	98	261	98	321	98	394	98	439	98
110D	142	98	249	98	308	98	372	98	412	98
145D	132	97	236	98	294	98	341	98	399	98
170D	132	97	236	98	295	98	341	98	399	98
ASYM	143	98	253	98	311	98	401	98	424	98

DOWNLIGHT INTERNAL										
	1.5HE W/FT		3.0HE W/FT		6.0HE W/FT		9.0HE W/FT			
	LM/FT	CRI	LM/FT	CRI	LM/FT	CRI	LM/FT	CRI	LM/FT	CRI
GZR	167	98	299	98	550	98	774	98		
25D	151	98	275	98	516	98	697	98		
40D	141	98	257	98	471	98	617	98		
50D	159	98	281	98	539	98	727	98		
DOWNLIGHT EXTERNAL										
	1.5HE W/FT		3.0HE W/FT		6.0HE W/FT		9.0HE W/FT			
	LM/FT	CRI	LM/FT	CRI	LM/FT	CRI	LM/FT	CRI	LM/FT	CRI
CL	159	98	291	98	548	98	714	98		
FR	152	98	280	98	540	98	688	98		
PR	135	98	246	98	498	98	617	98		
DF	120	98	219	98	439	98	565	98		
GI	**	**	**	**	**	**	**	**	**	**
UPLIGHT										
	1.5HE W/FT		3.0HE W/FT		6.0HE W/FT		9.0HE W/FT			
	LM/FT	CRI	LM/FT	CRI	LM/FT	CRI	LM/FT	CRI	LM/FT	CRI
40D	179	98	338	98	692	98	906	98		
60D	173	98	320	98	667	98	858	98		
70D	175	98	333	98	682	98	888	98		
90D	172	98	331	98	672	98	872	98		
110D	161	98	306	98	603	98	835	98		
145D	156	98	298	98	573	98	824	98		
170D	158	98	298	98	595	98	831	98		
ASYM	169	98	317	98	655	98	866	98		

DOWNLIGHT INTERNAL				
	2700K		3000K	
	LM/FT	CRI	LM/FT	CRI
GZR	378	97	391	97
25D	358	97	373	97
40D	314	97	331	97
50D	363	97	375	97
DOWNLIGHT EXTERNAL				
	2700K		3000K	
	LM/FT	CRI	LM/FT	CRI
CL	361	97	380	97
FR	347	97	362	97
PR	322	97	337	96
DF	282	96	292	97
GI	**	**	**	**
UPLIGHT				
	2700K		3000K	
	LM/FT	CRI	LM/FT	CRI
40D	453	97	469	97
60D	406	97	415	97
70D	421	97	427	97
90D	420	97	425	97
110D	420	97	433	97
145D	375	97	378	97
170D	371	97	376	97
ASYM	409	97	432	97

4 SUSPENSION KITS - Part Number Builder

POWER FEED SUSPENSION KIT



- Shop drawings required
- Fixture lengths over 10' deflect slightly by 3/16"
- If no suspension length provided, 36" is standard
- Suspension cable maximum length: 120"
- Suspension cable is field cuttable
- Consult factory for custom color of canopy

Kit Contents

- 1/16" Steel suspension cable – 36" standard
- Selected canopy
- Cable Gripper
- Cable Coupler

JBOX

- Bracket to mount to junction box (junction box not included)
- Wire strain relief
- Ties for securing electrical cable to suspension cable
- 4x4" junction box required but provided by others

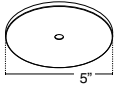
BOOM-POA (01)

Linear Fixtures - Suspended

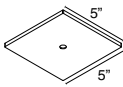


Canopy Options

RD - 5" - POA



SQ - 5" - POA



Canopy Finish

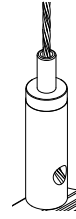
BK

Black

WH

White

Kit Hardware



Cable Gripper



Cable Coupler

Order Example



BOOM ORDERING PROCESS

- 1 Specify assembled fixture details
- 2 Specify downlight
- 3 Specify uplight
- 4 Specify suspension kit(s)

1. BOOM01-SNP-1C-ST-ST-FT-BL-CL-POA-XX"
2. BOOM01-DOWN-SW-5.0-35-NA-DF
3. BOOM01-UP-SW-6.0HE-35-110D
4. SK-POA-RD-5"-WH-JB-XX", SK-POA-RD-5"-WH-JB-XX"