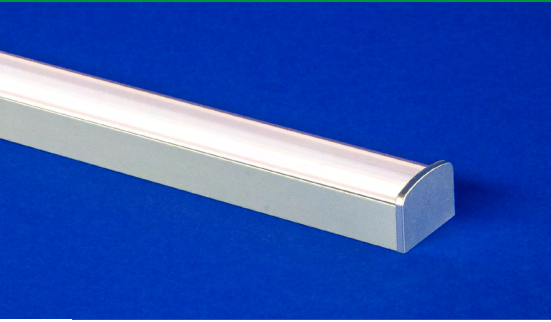


# OPTI-OPTICS (02)

## Linear Fixtures



With an advanced assortment of optics, OPTI delivers smooth and consistent light to highlight architectural features and surfaces.

- Choose from eight lens options: 40°, 60°, 70°, 90°, 110°, 155°, 180°, and Asymmetric
- High-quality aluminum housings are available in satin, black, and white.
- Available in Static White, Static White High-Efficacy, Static White High Efficacy Plus, Dynamic White, Dynamic White High-Efficacy, Warm Dim, Static Color, RGB, and RGBW
- Ideal for surface-mounted or recessed installations
- Integrated metal endcaps combined with an extruded aluminum housing give this fixture a polished modern look

### Part Number Builder

Static White



Product	W/FT	CCT	Rated	Lens	Input/Output	Connector/Wire In	Connector/Wire Out	Wire Color	Wire Type	Mounting	Finish	Length* (in)
OP2SW			DRY									
Voltage: 24 VDC												
Typical lumens at 5.0W/ft at 3000K with 110D lens: 372 lm/ft	1.5 3.0 4.0 5.0 6.0	20 22 24 27 30 35 40	DRY (IP20)	40D 60D 70D 90D 110D 155D 180D	S1 S2 Single (Closed exit) P1 P2 Pass through	BW CON6 CON24	CLS BW CON6 CON24	WH BK CL2 CL2P	CC MG	CC MG	ST BK WH	
				ASYM	S1A S1B S2A S2B P1A P1B P2A P2B	BW CON6 CON24	CLS BW CON6 CON24					

\*Available in 1" increments for 1.5W/ft - 5.0W/ft and 2" increments for 6.0W/ft. Maximum fixture length of 98". See fixture detail on page 8. Minimum fixture length 6".

### Static White High Efficacy



Product	W/FT	CCT	Rated	Lens	Input/Output	Connector/Wire In	Connector/Wire Out	Wire Color	Wire Type	Mounting	Finish	Length* (in)
OP2SW			DRY									
Voltage: 24 VDC												
Typical lumens at 6.0W/ft at 3000K with 110D lens: 603 lm/ft	1.5HE 3.0HE 6.0HE 9.0HE	20 22 24 27 30 35 40	DRY (IP20)	40D 60D 70D 90D 110D 155D 180D	S1 S2 Single (Closed exit) P1 P2 Pass through	BW CON6 CON24	CLS BW CON6 CON24	WH BK CL2 CL2P	CC MG	CC MG	ST BK WH	
				ASYM	S1A S1B S2A S2B P1A P1B P2A P2B	BW CON6 CON24	CLS BW CON6 CON24					

\*Available in 2" increments, maximum fixture length of 98". See fixture detail on page 8. Minimum fixture length 6".

- **BW** comes in standard 36"- request custom length (Max 120") by writing it in inches next to "BW" in the order code box (ex. BW48)
- **Connector/Wire In or Out** not needed to specify product. Standard configuration is Type S1, Connector/Wire In: BW & Connector/Wire Out: CLS
- Specify **CL2P** for plenum rated wire
- **One Step, One Bin** based on 5W/ft

- 5 year warranty
- Field modifications void warranty
- Data subject to change, all data has +/- 5% tolerance

- Compatible for use with Q-Tran power supplies
- Suitable for installation in the storage area of a clothes closet when using wattage of 4.0W/ft or less

# OPTI-OPTICS (02)

## Linear Fixtures



### Static White High Efficiency Plus



Product	W/FT	CCT	Rated	Lens	Input/Output	Connector/Wire In	Connector/Wire Out	Wire Color	Wire Type	Mounting	Finish	Length* (in)
<b>OP2SW</b>			<b>DRY</b>									
Voltage: 24 VDC Typical lumens at 3.0W/ft at 3000K with 110D lens: 534 lm/ft												
	<b>3.0HE+</b> <b>6.0HE+</b>	<b>20</b> <b>30</b> <b>35</b> <b>40</b>	<b>DRY</b> (IP20)	<b>40D</b> <b>60D</b> <b>70D</b> <b>90D</b> <b>110D</b> <b>155D</b> <b>180D</b>	<b>S1</b> <b>S2</b> Single (Closed exit) <b>P1</b> <b>P2</b> Pass through	<b>BW</b> <b>CON6</b> <b>CON24</b>	<b>CLS</b>  <b>BW</b> <b>CON6</b> <b>CON24</b>	<b>WH</b> <b>BK</b>	<b>CL2</b> <b>CL2P</b>	<b>CC</b> <b>MG</b>	<b>ST</b> <b>BK</b> <b>WH</b>	
				<b>ASYM</b>	<b>S1A</b> <b>S1B</b> <b>S2A</b> <b>S2B</b> <b>P1A</b> <b>P1B</b> <b>P2A</b> <b>P2B</b>	<b>BW</b> <b>CON6</b> <b>CON24</b>	<b>CLS</b>  <b>BW</b> <b>CON6</b> <b>CON24</b>					

\*Available in 2" increments, maximum fixture length of 98". See fixture detail on page 8. Minimum fixture length 6".

### Dynamic White



Product	W/FT	CCT	Rated	Lens	Input/Output	Connector/Wire In	Connector/Wire Out	Wire Color	Wire Type	Mounting	Finish	Length* (in)
<b>OP2DW</b>	<b>6.0</b>		<b>DRY</b>									
Voltage: 24 VDC Typical lumens at 6.0W/ft at 3000K with 110D lens: 220 lm/ft												
		<b>20/27</b> <b>20/30</b>	<b>DRY</b> (IP20)	<b>40D</b> <b>60D</b> <b>70D</b> <b>90D</b> <b>110D</b> <b>155D</b> <b>180D</b>	<b>S1</b> <b>S2</b> Single (Closed exit) <b>P1</b> <b>P2</b> Pass through	<b>BW</b> <b>CON6</b> <b>CON24</b>	<b>CLS</b>  <b>BW</b> <b>CON6</b> <b>CON24</b>	<b>WH</b> <b>BK</b>	<b>CL2</b> <b>CL2P</b>	<b>CC</b> <b>MG</b>	<b>ST</b> <b>BK</b> <b>WH</b>	
				<b>ASYM</b>	<b>S1A</b> <b>S1B</b> <b>S2A</b> <b>S2B</b> <b>P1A</b> <b>P1B</b> <b>P2A</b> <b>P2B</b>	<b>BW</b> <b>CON6</b> <b>CON24</b>	<b>CLS</b>  <b>BW</b> <b>CON6</b> <b>CON24</b>					

\*Available in 2" increments, maximum fixture length of 98". See fixture detail on page 8. Minimum fixture length 6".

- **BW** comes in standard 36"- request custom length (Max 120") by writing it in inches next to "BW" in the order code box (ex. BW48)
- **Connector/Wire In or Out** not needed to specify product. Standard configuration is Type S1, Connector/Wire In: BW & Connector/Wire Out: CLS
- Specify **CL2P** for plenum rated wire

- 5 year warranty
- Field modifications void warranty
- Data subject to change, all data has +/- 5% tolerance
- Compatible for use with Q-Tran power supplies
- Suitable for installation in the storage area of a clothes closet when using wattage of 4.0W/ft or less
- Florida Fish and Wildlife Conservation Commission (FWC) rated strips: DRY rated, Red and Amber

# OPTI-OPTICS (02)

## Linear Fixtures



### Dynamic White High Efficacy

Product	W/FT	CCT	Rated	Lens	Input/ Output	Connector/ Wire In	Connector/ Wire Out	Wire Color	Wire Type	Mounting	Finish	Length* (in)
<b>OP2DW</b>			<b>DRY</b>									
Voltage: 24 VDC												
Typical lumens at 5.0W/ft at 3000K with 110D lens: 240 lm/ft												
	3.0HE 5.0HE 8.0HE	20/27 20/30 27/40 27/55	DRY (IP20)	40D 60D 70D 90D 110D 155D 180D	S1 S2 Single (Closed exit) P1 P2 Pass through	BW CON6 CON24	CLS  BW CON6 CON24	WH BK	CL2 CL2P	CC MG	ST BK WH	
				ASYM	S1A S1B S2A S2B P1A P1B P2A P2B	BW CON6 CON24	CLS  BW CON6 CON24					

\*Available in 2" increments, maximum fixture length of 98". See fixture detail on page 8. Minimum fixture length 6".

### Warm Dim

Product	W/FT	CCT	Rated	Lens	Input/ Output	Connector/ Wire In	Connector/ Wire Out	Wire Color	Wire Type	Mounting	Finish	Length* (in)
<b>OP2WD</b>	<b>6.0</b>		<b>DRY</b>									
Voltage: 24 VDC												
Typical lumens at 6.0W/ft at 3000K with 110D lens: 433 lm/ft												
		19/27 19/30	DRY (IP20)	40D 60D 70D 90D 110D 155D 180D	S1 S2 Single (Closed exit) P1 P2 Pass through	BW CON6 CON24	CLS  BW CON6 CON24	WH BK	CL2 CL2P	CC MG	ST BK WH	
				ASYM	S1A S1B S2A S2B P1A P1B P2A P2B	BW CON6 CON24	CLS  BW CON6 CON24					

\*Available in 2" increments, maximum fixture length of 98". See fixture detail on page 8. Minimum fixture length 6".

- **BW** comes in standard 36"- request custom length (Max 120") by writing it in inches next to "BW" in the order code box (ex. BW48)
- **Connector/Wire In or Out** not needed to specify product. Standard configuration is Type S1, Connector/Wire In: BW & Connector/Wire Out: CLS
- Specify **CL2P** for plenum rated wire

- 5 year warranty
- Field modifications void warranty
- Data subject to change, all data has +/- 5% tolerance
- Compatible for use with Q-Tran power supplies
- Suitable for installation in the storage area of a clothes closet when using wattage of 4.0W/ft or less
- Florida Fish and Wildlife Conservation Commission (FWC) rated strips: DRY rated, Red and Amber

# OPTI-OPTICS (02)

## Linear Fixtures



Static Color    

Product	W/FT	CCT	Rated	Lens	Input/Output	Connector/Wire In	Connector/Wire Out	Wire Color	Wire Type	Mounting	Finish	Length* (in)			
<b>OP2SC</b>	<b>5.0</b>		<b>DRY</b>												
Voltage: 24 VDC															
Typical lumens at 5.0W/ft in green with 110D lens: 438 lm/ft		<b>GR</b> <b>BL</b> <b>RD</b> <b>AB</b>		<b>DRY</b> (IP20)		40D 60D 70D 90D 110D 155D 180D		S1 S2 Single (Closed exit) P1 P2 Pass through		BW CON6 CON24		CLS BW CON6 CON24		WH BK CL2 CL2P CC MG ST BK WH	
				ASYM		S1A S1B S2A S2B P1A P1B P2A P2B		BW CON6 CON24		CLS BW CON6 CON24					

\*Available in 2" increments, maximum fixture length of 98". See fixture detail on page 8. Minimum fixture length 6".

RGB   

Product	W/FT	CCT	Rated	Lens	Input/Output	Connector/Wire In	Connector/Wire Out	Wire Color	Wire Type	Mounting	Finish	Length* (in)	
<b>OP2RGB</b>	<b>6.0</b>	<b>RGB</b>	<b>DRY</b>										
Voltage: 24 VDC													
Typical lumens at 6.0W/ft in green with 110D lens: 165 lm/ft		<b>DRY</b> (IP20)		40D 60D 70D 90D 110D 155D 180D		S1 S2 Single (Closed exit) P1 P2 Pass through		BW CON6 CON24		CLS BW CON6 CON24		WH BK CL2 CL2P CC MG ST BK WH	
				ASYM		S1A S1B S2A S2B P1A P1B P2A P2B		BW CON6 CON24		CLS BW CON6 CON24			

\*Available in 2" increments, maximum fixture length of 98". See fixture detail on page 8. Minimum fixture length 6".

- **BW** comes in standard 36"- request custom length (Max 120") by writing it in inches next to "BW" in the order code box (ex. BW48)
- **Connector/Wire In or Out** not needed to specify product. Standard configuration is Type S1, Connector/Wire In: BW & Connector/Wire Out: CLS
- Specify **CL2P** for plenum rated wire

- 5 year warranty
- Field modifications void warranty
- Data subject to change, all data has +/- 5% tolerance
- Compatible for use with Q-Tran power supplies
- Suitable for installation in the storage area of a clothes closet when using wattage of 4.0W/ft or less
- Florida Fish and Wildlife Conservation Commission (FWC) rated strips: DRY rated, Red and Amber

# OPTI-OPTICS (02)

## Linear Fixtures



RGBW   **5 YEAR WARRANTY**

Product	W/FT	CCT	Rated	Lens	Input/Output	Connector/Wire In	Connector/Wire Out	Wire Color	Wire Type	Mounting	Finish	Length* (in)
OP2RGBW	6.0		DRY									
		27 30	DRY (IP20)	40D 60D 70D 90D 110D 155D 180D	S1 S2 Single (Closed exit) P1 P2 Pass through	BW CON6 CON24	CLS	WH BK	CL2 CL2P	CC MG	ST BK WH	
				ASYM	S1A S1B S2A S2B P1A P1B P2A P2B	BW CON6 CON24	CLS					
							BW CON6 CON24					

Voltage: 24 VDC

Typical lumens at 6.0W/ft in green with 110D lens: 104 lm/ft

\*Available in 4" increments, maximum fixture length of 98". See fixture detail on page 8. Minimum fixture length 6".

- **BW** comes in standard 36"- request custom length (Max 120") by writing it in inches next to "BW" in the order code box (ex. BW48)
- **Connector/Wire In or Out** not needed to specify product. Standard configuration is Type S1, Connector/Wire In: BW & Connector/Wire Out: CLS
- Specify **CL2P** for plenum rated wire

- 5 year warranty
- Field modifications void warranty
- Data subject to change, all data has +/- 5% tolerance
- Compatible for use with Q-Tran power supplies
- Suitable for installation in the storage area of a clothes closet when using wattage of 4.0W/ft or less

# OPTI-OPTICS (02)

## Linear Fixtures



### Technical Information Delivered lumens See photometric files for complete details.

#### Static White [Calculated L70 = 70000 hrs] Tested with OP2SW-\*\*-30-DRY-\*\*

	1.5W/FT		3.0W/FT		4.0W/FT		5.0W/FT		6.0W/FT	
	LM/FT	CRI	LM/FT	CRI	LM/FT	CRI	LM/FT	CRI	LM/FT	CRI
40D	156	98	281	98	331	98	415	98	456	98
60D	142	98	255	98	315	98	389	98	421	98
70D	149	98	262	98	321	98	402	98	440	98
90D	146	98	261	98	321	98	394	98	439	98
110D	142	98	249	98	308	98	372	98	412	98
155D	140	98	250	98	307	98	375	98	418	98
180D	143	98	251	98	310	98	378	98	419	98
ASYM	143	98	253	98	311	98	401	98	424	98

#### Static White High Efficacy [Calculated L70 = 70000 hrs] Tested with OP2SW-\*\*-30-DRY-\*\*

	1.5HE W/FT		3.0HE W/FT		6.0HE W/FT		9.0HE W/FT	
	LM/FT	CRI	LM/FT	CRI	LM/FT	CRI	LM/FT	CRI
40D	179	98	338	98	692	98	906	98
60D	173	98	320	98	667	98	858	98
70D	175	98	333	98	682	98	888	98
90D	172	98	331	98	672	98	872	98
110D	161	98	306	98	603	98	835	98
155D	161	98	307	98	590	98	838	98
180D	167	98	307	98	607	98	844	98
ASYM	169	98	317	98	655	98	866	98

#### Static White High Efficacy Plus [Calculated L70 = 50000 hrs] Tested with OP2SW-\*\*-30-DRY-\*\*

	3.0HE+ W/FT		6.0HE+ W/FT	
	LM/FT	CRI	LM/FT	CRI
40D	561	92	764	92
60D	543	92	740	92
70D	528	92	733	92
90D	546	92	745	92
110D	534	92	730	92
155D	539	92	726	92
180D	537	92	733	92
ASYM	538	92	739	92

#### Dynamic White [Calculated L70 = 70000 hrs] Tested with OP2DW-6.0\*\*-DRY-\*\*

	2000K		2700K		3000K	
	LM/FT	CRI	LM/FT	CRI	LM/FT	CRI
40D	205	93	231	97	243	98
60D	182	94	205	97	228	97
70D	188	93	213	97	230	97
90D	187	93	212	97	225	97
110D	179	93	209	97	220	98
155D	180	93	201	97	225	98
180D	182	93	211	97	221	98
ASYM	185	93	203	97	217	97

#### Dynamic White High Efficacy [Calculated L70 = 70000 hrs] Tested with OP2DW-5.0HE\*\*-DRY-\*\*

	2000K		2700K		3000K		4000K		5500K	
	LM/FT	CRI	LM/FT	CRI	LM/FT	CRI	LM/FT	CRI	LM/FT	CRI
40D	218	92	245	98	262	98	272	97	282	97
60D	204	92	233	98	246	98	250	97	261	97
70D	209	92	239	98	251	98	257	97	268	97
90D	207	92	237	98	249	98	255	97	265	97
110D	202	92	227	98	240	98	244	97	257	97
155D	204	93	227	98	243	98	245	97	259	97
180D	204	93	229	98	245	98	248	97	260	97
ASYM	205	92	229	98	245	98	247	97	260	97

#### Warm Dim [Calculated L70 = 70000 hrs] Tested with OP2WD-6.0\*\*-DRY-\*\*

	2700K		3000K	
	LM/FT	CRI	LM/FT	CRI
40D	453	97	469	97
60D	406	97	415	97
70D	421	97	427	97
90D	420	97	425	97
110D	420	97	433	97
155D	421	97	437	97
180D	417	97	434	97
ASYM	409	97	432	97

#### Static Color [Calculated L70 = 30000 hrs] Tested with OP2SC-5.0\*\*-DRY-\*\*

	Red		Green		Blue		Amber	
	LM/FT	Wavelength	LM/FT	Wavelength	LM/FT	Wavelength	LM/FT	Wavelength
40D	114	634	473	516	121	465	84	596
60D	100	635	431	515	102	466	80	595
70D	105	635	447	516	108	466	81	595
90D	103	635	443	516	105	466	80	595
110D	105	634	438	516	111	466	79	596
155D	108	634	437	516	112	466	79	595
180D	103	635	433	516	111	465	80	595
ASYM	104	635	445	516	106	466	81	595

#### RGB [Calculated L70 = 55000 hrs] Tested with OP2RGB-6.0-RGB-DRY-\*\*

	Red		Green		Blue	
	LM/FT	Wavelength	LM/FT	Wavelength	LM/FT	Wavelength
40D	64	631	182	523	54	469
60D	60	630	167	521	51	469
70D	62	631	173	519	52	469
90D	61	630	170	521	52	469
110D	59	631	165	522	49	469
155D	59	631	169	521	50	469
180D	60	631	168	521	50	469
ASYM	59	631	170	521	52	469

#### RGBW [Calculated L70 = 30000 hrs] Tested with OP2RGBW-6.0\*\*-DRY-\*\*

	2700K		3000K		Red		Green		Blue	
	LM/FT	CRI	LM/FT	CRI	LM/FT	Wavelength	LM/FT	Wavelength	LM/FT	Wavelength
40D	135	92	146	92	39	629	113	513	32	463
60D	121	93	133	93	36	629	110	513	30	464
70D	126	93	139	93	37	629	113	513	31	464
90D	125	93	136	93	37	629	112	513	30	464
110D	121	91	135	93	37	629	104	513	29	463
155D	130	92	133	92	36	629	103	513	29	463
180D	130	91	135	92	36	629	101	513	28	463
ASYM	123	92	131	93	37	629	111	513	30	464

# OPTI-OPTICS (02)

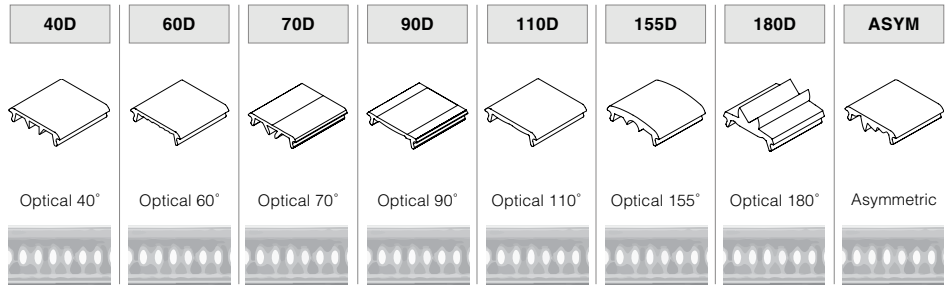
## Linear Fixtures



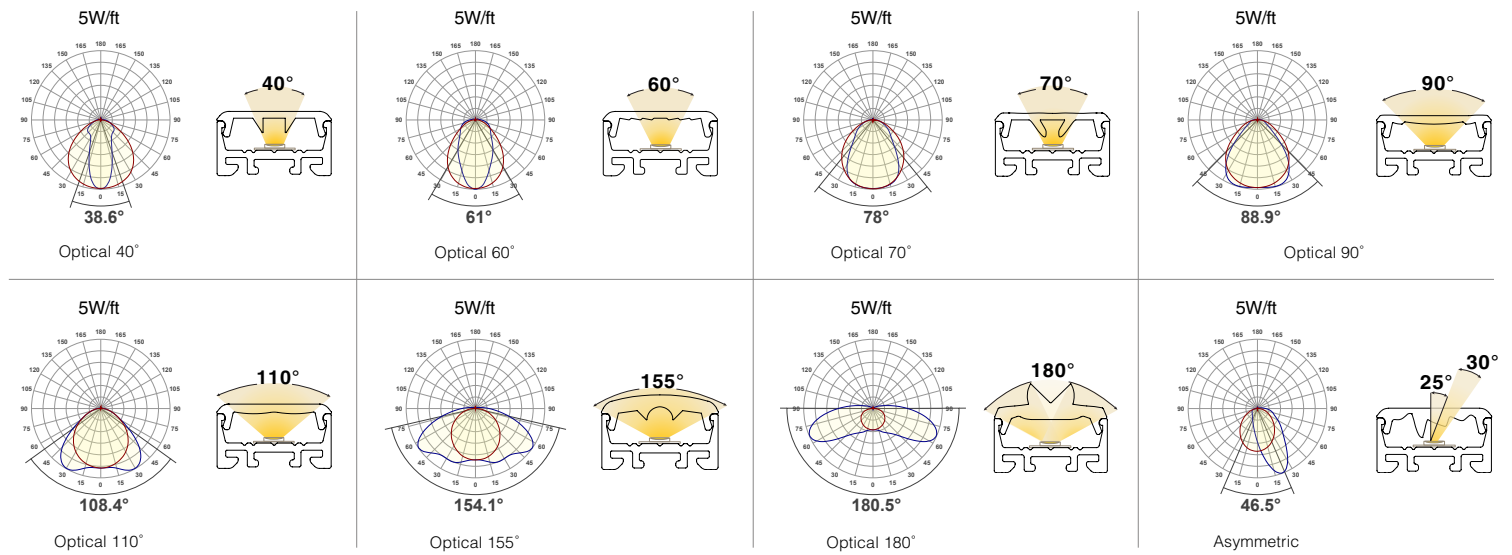
### Temperature Ratings Dependent on LED Strip W/FT

Light Engine (LED Strip)	W/FT	Minimum Limit (°F)	Maximum Limit (°F)
Static White	1.5	-40	138
	3.0	-40	124
	4.0	-40	115
	5.0	-40	108
Static White High-Efficacy	1.5HE	-40	152
	3.0HE	-40	140
	6.0HE	-40	118
	9.0HE	-40	95

### Lens PMMA

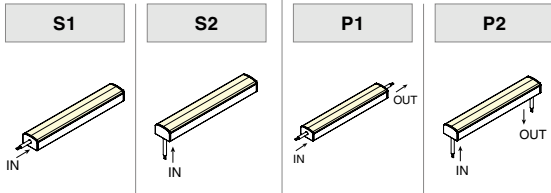


### Beam Angle NOTE: Nominal beam angle shown, angle varies based on light engine. For more detailed information, see IES PDF file.

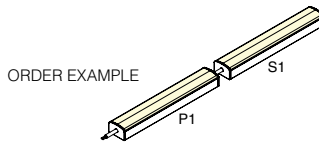


### Input/Output

SINGLE (Input only)

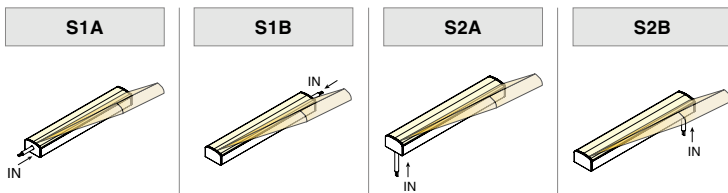


PASS THROUGH (Input/Output)

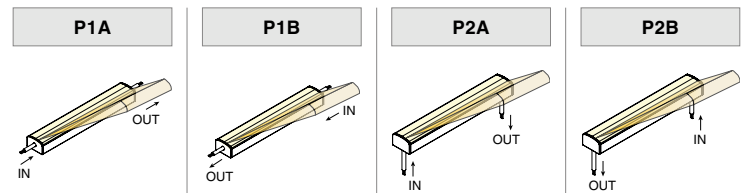


ASYMMETRIC ONLY

SINGLE (Input only)



PASS THROUGH (Input/Output)

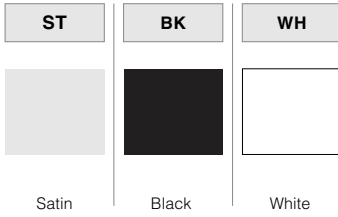


# OPTI-OPTICS (02)

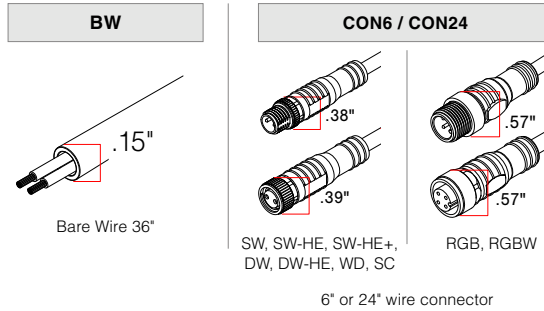
Linear Fixtures



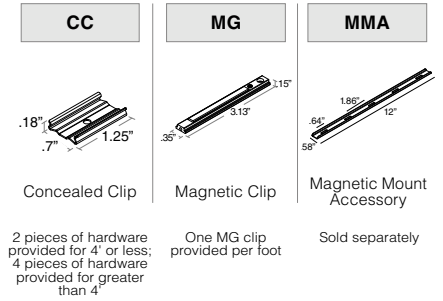
## Finish



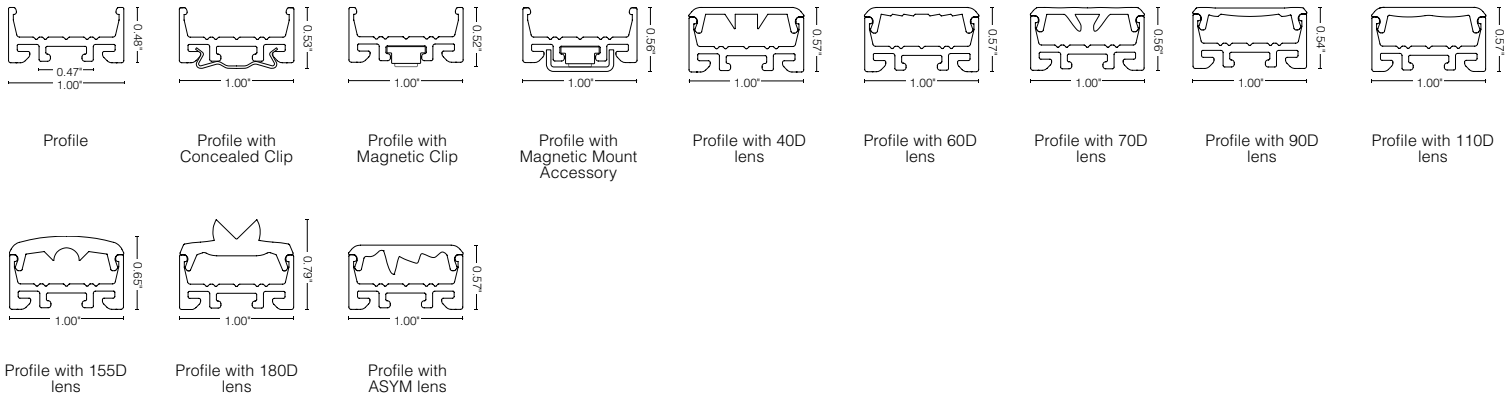
## Connector/Wire – In/Out



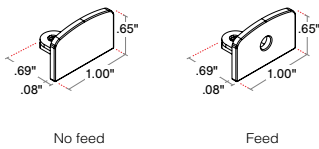
## Mounting



## Dimensions



## End Caps



## Light Engine Spacing Detail

