

VERS-FLUSH-SK (02) Linear Fixtures - Suspended



Illuminated brilliantly through rich color and **VERS**atility, VERS fixtures are a stunning addition to all spaces of every size and utility. Flush utilizes a co-extruded acrylic lens with an internal lens that sits flush in the fixture, allowing the fixture's delivered light performance to shine in any indoor setting.

- 80 Suspension Kit configurations allow fixture to be seamlessly incorporated into any interior
- Create long, continuous lines of light with easy-to-use inline bracket and double feed joiner connectors
- High-quality VERS aluminum housings are available in satin, black, bronze, and white
- Integrated metal endcaps combined with an extruded aluminum housing give this fixture a polished modern look
- Len options include Polar and Diffused
- Available in Static White, Static White High-Efficacy, Dynamic White, Dynamic White High-Efficacy, and RGB
- Optional External Louver Accessory offered in matte black or white finish

Part Number Builder

Static White



Product	W/FT	CCT	Rated	Lens	Louver	Input/Output	Connector/Wire In	Connector/Wire Out	Wire Color	Wire Type	Mounting	Finish	Length* (in)
VERS-02-SK-SW			DRY			S2	BW	CLS	SV	AWM	SK		
Voltage: 24 VDC	1.5 3.0 4.0 5.0 6.0	20 22 24 27 30 35 40	DRY (IP20)	PR DF	L1-WH L1-BK N/A	S2 <small>Single (Closed exit)</small>	BW	CLS	SV	AWM	SK	ST BK BZ WH	**

*Available in 1" increments for 1.5W/ft - 5.0W/ft and 2" increments for 6.0W/ft. Maximum single fixture length of 98". See fixture detail on page 5. Minimum single fixture length 2".

Shop drawings required for run lengths over 8ft.

** See page 6 for suspension kit options.

Static White High Efficacy



Product	W/FT	CCT	Rated	Lens	Louver	Input/Output	Connector/Wire In	Connector/Wire Out	Wire Color	Wire Type	Mounting	Finish	Length* (in)
VERS-02-SK-SW			DRY			S2	BW	CLS	SV	AWM	SK		
Voltage: 24 VDC	1.5HE 3.0HE 6.0HE 9.0HE	20 22 24 27 30 35 40	DRY (IP20)	PR DF	L1-WH L1-BK N/A	S2 <small>Single (Closed exit)</small>	BW	CLS	SV	AWM	SK	ST BK BZ WH	**

*Available in 2" increments, maximum single fixture length of 98". See fixture detail on page 5. Minimum single fixture length 2".

Shop drawings required for run lengths over 8ft.

** See page 6 for suspension kit options.

- **BW** comes in standard 36"- request custom length (Max 120") by writing it in inches next to "BW" in the order code box (ex. BW48)
- **One Step, One Bin** based on 5W/ft

- 5 year warranty
- Field modifications void warranty
- Data subject to change, all data has +/- 5% tolerance
- Compatible for use with Q-Tran power supplies
- Suitable for installation in the storage area of a clothes closet when using wattage of 4.0W/ft or less

VERS-FLUSH-SK (02) Linear Fixtures - Suspended



Dynamic White



Product	W/FT	CCT	Rated	Lens	Louver	Input/ Output	Connector/ Wire In	Connector/ Wire Out	Wire Color	Wire Type	Mounting	Finish	Length* (in)
VERS-02-SK-DW	6.0		DRY			S2	BW	CLS	SV	AWM	SK		**
		20/27 20/30	DRY (IP20)	PR DF	L1-WH L1-BK N/A	S2 Single (Closed exit)	BW	CLS	SV	AWM	SK	ST BK BZ WH	

Voltage: 24 VDC

Typical lumens at 6.0W/ft with PR lens at 3000K: 251 lm/ft

*Available in 2" increments, maximum single fixture length of 98". See fixture detail on page 5. Minimum single fixture length 2".

Shop drawings required for run lengths over 8ft.

** See page 6 for suspension kit options.

Dynamic White High Efficacy



Product	W/FT	CCT	Rated	Lens	Louver	Input/ Output	Connector/ Wire In	Connector/ Wire Out	Wire Color	Wire Type	Mounting	Finish	Length* (in)
VERS-02-SK-DW			DRY			S2	BW	CLS	SV	AWM	SK		**
	3.0HE 5.0HE 8.0HE	20/27 20/30 27/40 27/55	DRY (IP20)	PR DF	L1-WH L1-BK N/A	S2 Single (Closed exit)	BW	CLS	SV	AWM	SK	ST BK BZ WH	

Voltage: 24 VDC

Typical lumens at 5.0W/ft with PR lens at 3000K: 247 lm/ft

*Available in 2" increments, maximum single fixture length of 98". See fixture detail on page 5. Minimum single fixture length 2".

Shop drawings required for run lengths over 8ft.

** See page 6 for suspension kit options.

Warm Dim



Product	W/FT	CCT	Rated	Lens	Louver	Input/ Output	Connector/ Wire In	Connector/ Wire Out	Wire Color	Wire Type	Mounting	Finish	Length* (in)
VERS-02-SK-WD	6.0		DRY			S2	BW	CLS	SV	AWM	SK		**
		19/27 19/30	DRY (IP20)	PR DF	L1-WH L1-BK N/A	S2 Single (Closed exit)	BW	CLS	SV	AWM	SK	ST BK BZ WH	

Voltage: 24 VDC

Typical lumens at 6.0W/ft with PR lens at 3000K: 483 lm/ft

*Available in 2" increments, maximum single fixture length of 98". See fixture detail on page 5. Minimum single fixture length 2".

Shop drawings required for run lengths over 8ft.

** See page 6 for suspension kit options.

Only compatible with QZ and QZLP. Not compatible with other power supplies such as QTM-eLED+WD and QOM-eLED+WD.

- BW comes in standard 36" - request custom length (Max 120") by writing it in inches next to "BW" in the order code box (ex. BW48)

- 5 year warranty
- Field modifications void warranty
- Data subject to change, all data has +/- 5% tolerance
- Compatible for use with Q-Tran power supplies

VERS-FLUSH-SK (02) Linear Fixtures - Suspended



Static Color    **5 YEAR WARRANTY** 

Product	W/FT	CCT	Rated	Lens	Louver	Input/Output	Connector/Wire In	Connector/Wire Out	Wire Color	Wire Type	Mounting	Finish	Length* (in)
VERS-02-SK-SC	5.0		DRY			S2	BW	CLS	SV	AWM	SK		**
		GR BL RD AB	DRY (IP20)	PR DF	L1-WH L1-BK N/A	S2 Single (Closed exit)	BW	CLS	SV	AWM	SK	ST BK BZ WH	

Voltage: 24 VDC

Typical lumens at 5.0W/ft with PR lens in green: 554 lm/ft

*Available in 2" increments, maximum single fixture length of 98". See fixture detail on page 5. Minimum single fixture length 2".

Shop drawings required for run lengths over 8ft.

**See page 6 for suspension kit options.

RGB    **5 YEAR WARRANTY**

Product	W/FT	CCT	Rated	Lens	Louver	Input/Output	Connector/Wire In	Connector/Wire Out	Wire Color	Wire Type	Mounting	Finish	Length* (in)
VERS-02-SK-RGB	6.0	RGB	DRY			S2	BW	CLS	SV	AWM	SK		**
			DRY (IP20)	PR DF	L1-WH L1-BK N/A	S2 Single (Closed exit)	BW	CLS	SV	AWM	SK	ST BK BZ WH	

Voltage: 24 VDC

Typical lumens at 6.0W/ft with PR lens in green: 175 lm/ft

*Available in 2" increments, maximum single fixture length of 98". See fixture detail on page 5. Minimum single fixture length 2".

Shop drawings required for run lengths over 8ft.

**See page 6 for suspension kit options.

- **BW** comes in standard 36" - request custom length (Max 120") by writing it in inches next to "BW" in the order code box (ex. BW48)

- 5 year warranty
- Field modifications void warranty
- Data subject to change, all data has +/- 5% tolerance
- Compatible for use with Q-Tran power supplies
- Florida Fish and Wildlife Conservation Commission (FWC) rated strips: DRY rated, Red and Amber

VERS-FLUSH-SK (02) Linear Fixtures - Suspended



Technical Information Delivered lumens

See photometric files for complete details.

Static White [Calculated L70 = 70000 hrs]

Tested with VERS-02-SK-SW-**-30-DRY-**-...-ST

	1.5W/FT		3.0W/FT		4.0W/FT		5.0W/FT		6.0W/FT	
	LM/FT	CRI	LM/FT	CRI	LM/FT	CRI	LM/FT	CRI	LM/FT	CRI
PR	157	98	274	98	347	98	420	98	496	98
DF	148	98	256	98	325	98	392	98	477	98

Static White High Efficacy

[Calculated L70 = 70000 hrs]

Tested with VERS-02-SK-SW-**-30-DRY-**-...-ST

	1.5HE W/FT		3.0HE W/FT		6.0HE W/FT		9.0HE W/FT	
	LM/FT	CRI	LM/FT	CRI	LM/FT	CRI	LM/FT	CRI
PR	198	98	379	98	686	98	1022	98
DF	188	98	355	98	666	98	959	98

Dynamic White

[Calculated L70 = 70000 hrs]

Tested with VERS-02-SK-DW-6.0-**-DRY-**-...-ST

	2000K		2700K		3000K	
	LM/FT	CRI	LM/FT	CRI	LM/FT	CRI
PR	217	94	236	97	251	98
DF	204	93	221	97	236	98

Dynamic White High Efficacy

[Calculated L70 = 70000 hrs]

Tested with VERS-02-SK-DW-5.0HE-**-DRY-**-...-ST

	2000K		2700K		3000K		4000K		5500K	
	LM/FT	CRI	LM/FT	CRI	LM/FT	CRI	LM/FT	CRI	LM/FT	CRI
PR	211	93	239	98	248	98	253	97	281	97
DF	198	93	224	98	234	98	237	97	265	97

Static Color [Calculated L70 = 30000 hrs]

Tested with VERS-02-SK-SC-5.0-**-DRY-**-...-ST

	Red		Green		Blue		Amber	
	LM/FT	Wavelength	LM/FT	Wavelength	LM/FT	Wavelength	LM/FT	Wavelength
PR	120	634	561	519	127	467	88	595
DF	114	634	530	519	119	467	83	595

Warm Dim

[Calculated L70 = 70000 hrs]

Tested with VERS-02-SK-WD-6.0-**-DRY-**-...-ST

	2700K		3000K	
	LM/FT	CRI	LM/FT	CRI
PR	463	97	483	97
DF	436	97	447	97

RGB [Calculated L70 = 55000 hrs]

Tested with VERS-02-SK-RGB-6.0-RGB-DRY-**-...-ST

	Red		Green		Blue	
	LM/FT	Wavelength	LM/FT	Wavelength	LM/FT	Wavelength
PR	90	632	179	521	48	470
DF	85	632	168	522	45	470

Temperature Ratings Dependent on LED Strip W/FT

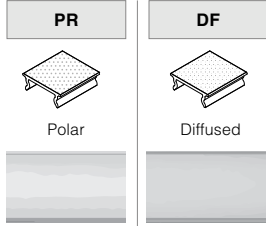
Light Engine <small>(LED Strip)</small>	W/FT	Minimum Limit <small>(°F)</small>	Maximum Limit <small>(°F)</small>
Static White	1.5	-40	138
	3.0	-40	124
	4.0	-40	115
	5.0	-40	108
Static White High-Efficacy	1.5HE	-40	152
	3.0HE	-40	140
	6.0HE	-40	118
	9.0HE	-40	95

VERS-FLUSH-SK (02) Linear Fixtures - Suspended



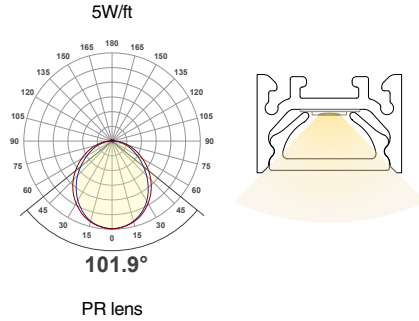
Lens

with LED visibility

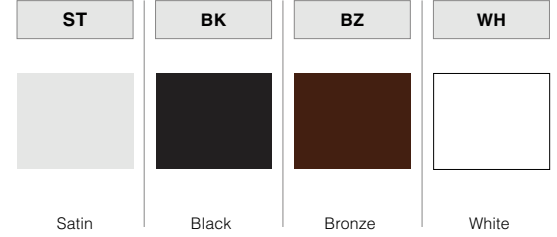


Beam Angle

NOTE: Nominal beam spread shown, beam spread varies based on light engine. For more detailed information, see IES PDF file.

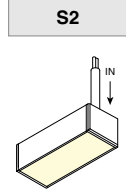


Finish

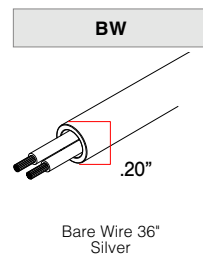


Input/Output

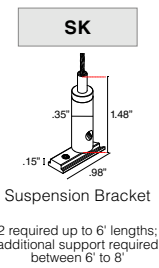
SINGLE (Input only)



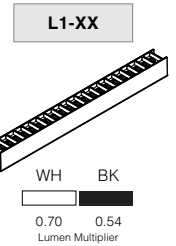
Connector/Wire – In/Out



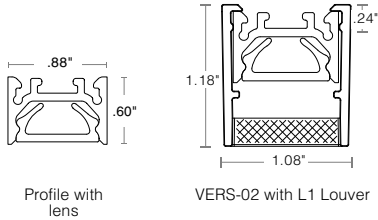
Mounting



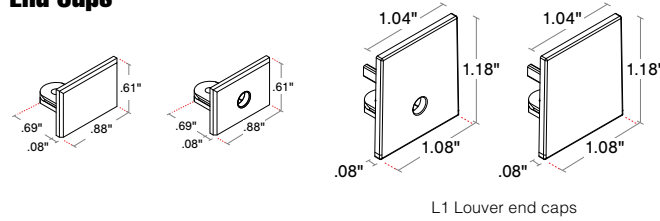
Louver



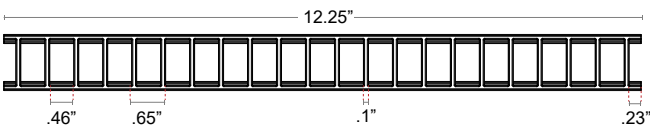
Dimensions



End Caps



Louver

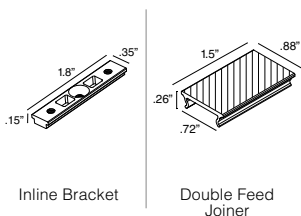


Light Engine Spacing Detail

Add to nominal LED length for fixture length



Joints/Connectors for Continuous Row Mounting

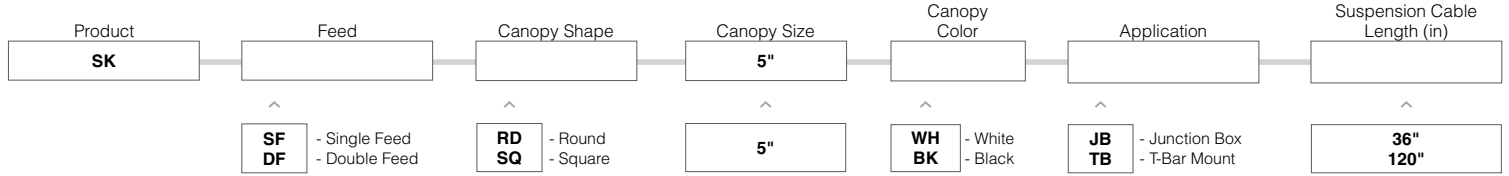


VERS-FLUSH-SK (02) Linear Fixtures - Suspended

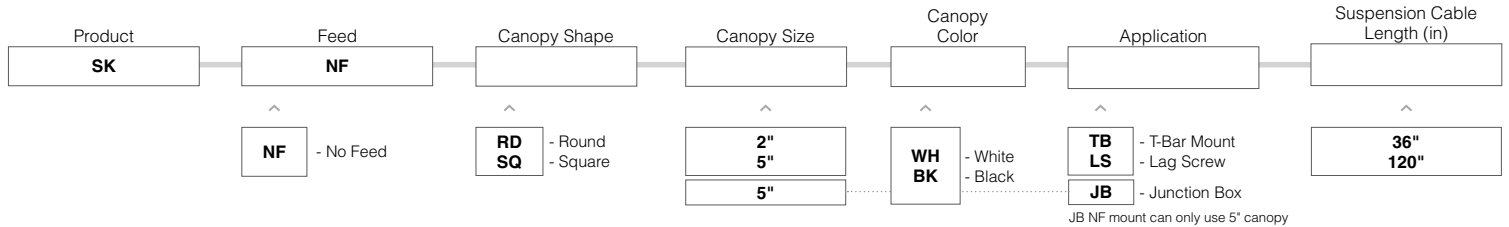


Part Number Builder

POWER FEED SUSPENSION KIT



NON-FEED SUSPENSION KIT



- Shop drawings required for run lengths over 8ft
- If no suspension length provided, 36" is standard
- Suspension cable maximum length: 120"
- Suspension cable is field cuttable
- Suspended fixtures over 6ft require additional suspension points. 8ft lengths will bow 0.25" in middle without additional support.
- Any run length over 8' requires inline brackets
- Consult factory for power over aircraft
- Consult factory for custom color of canopy
- Lag Screw is for mounting into drywall, wood, or other types of finished ceilings for non-feed mounting only

Kit Contents

- 1/16" Steel suspension cable – 36" standard
- Selected canopy
- Cable Gripper
- Cable Coupler

JBOX

- Bracket to mount to junction box (junction box not included)
- Wire strain relief
- Ties for securing electrical cable to suspension cable

T-BAR – feed

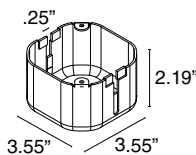
- Includes junction box specifically designed for T-BAR applications
- Bracket to mount to junction box
- Wire strain relief
- Ties for securing electrical wire to suspension cable

T-BAR – non-feed

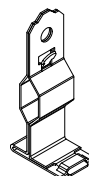
- Bracket to mount to T-BAR (no junction box)

LAG SCREW – non-feed only

- Double ended screw, with a wood thread side and machine thread side
- One piece cable coupler



T-BAR JBOX



T-BAR CLIP



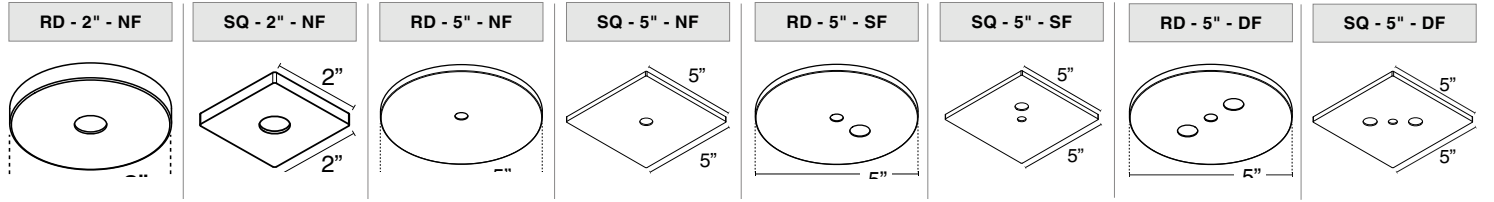
LAG SCREW

VERS-FLUSH-SK (02)

Linear Fixtures - Suspended



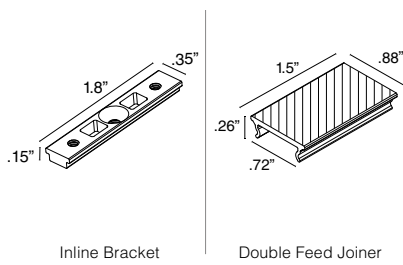
Canopy Options



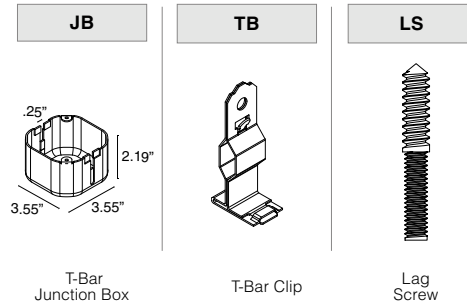
Canopy Finish



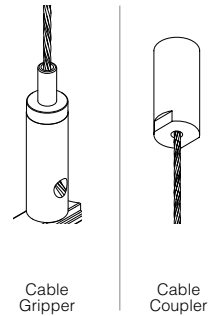
Joints/Connectors



Application

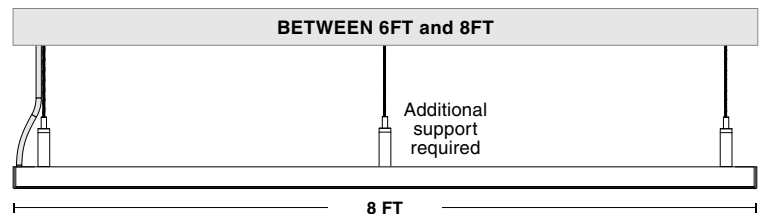
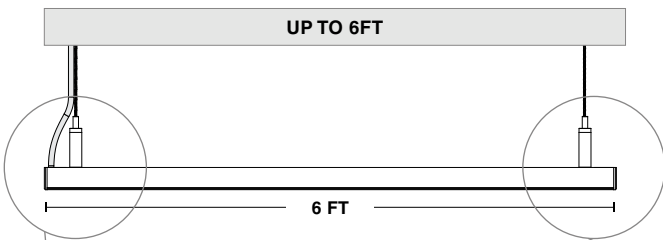


Kit Hardware

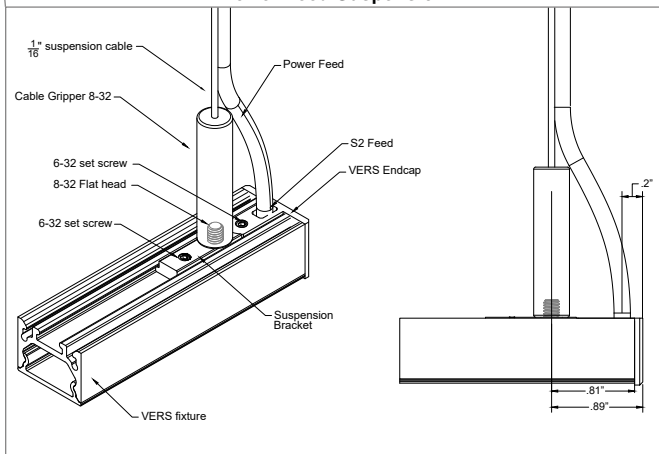


Mounting

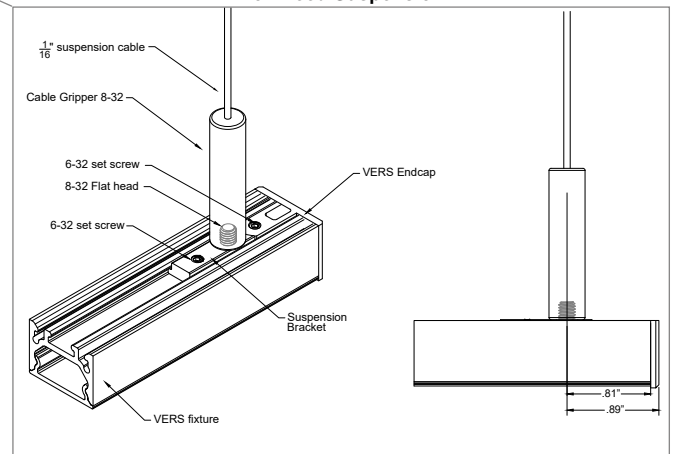
- Maximum single fixture length: 98"
- Suspended fixtures over 6ft require additional suspension points. 8ft lengths will bow 0.25" in middle without additional support.
- Shop drawings required for run lengths over 8ft
- Any double feed fixture will come with double feed joiner and inline bracket



Power Feed Suspension



Non-Feed Suspension

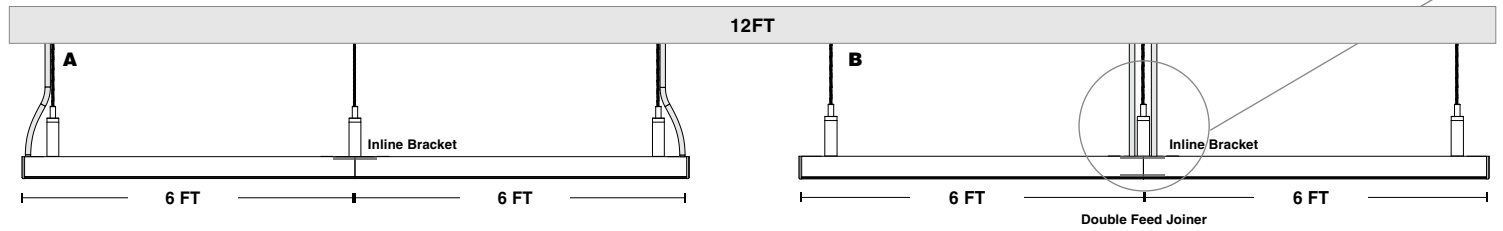
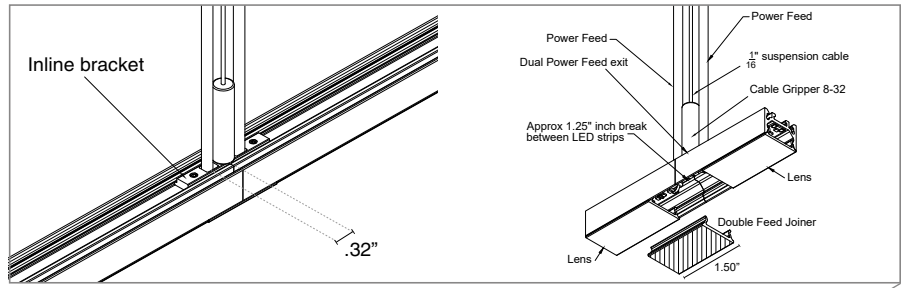


VERS-FLUSH-SK (02) Linear Fixtures - Suspended



Mounting

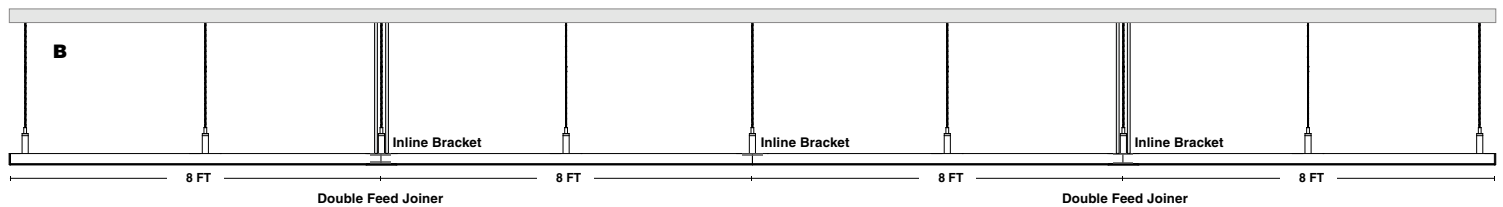
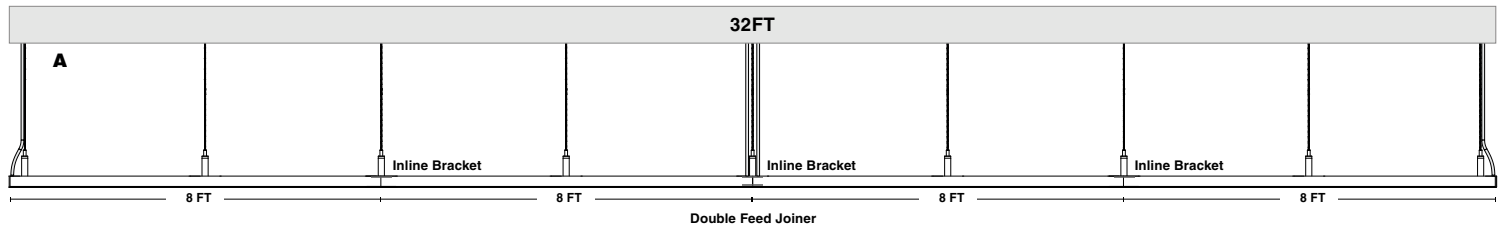
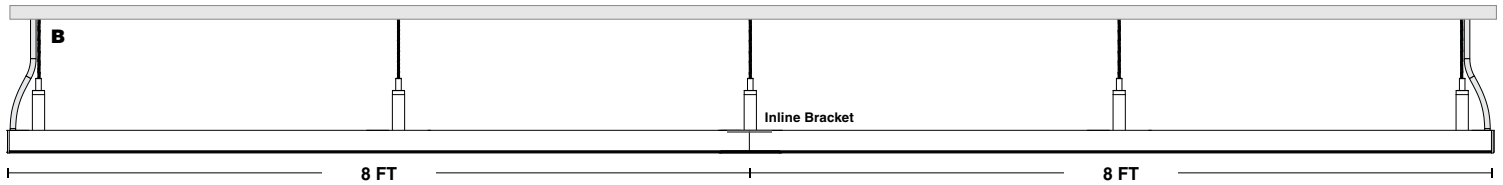
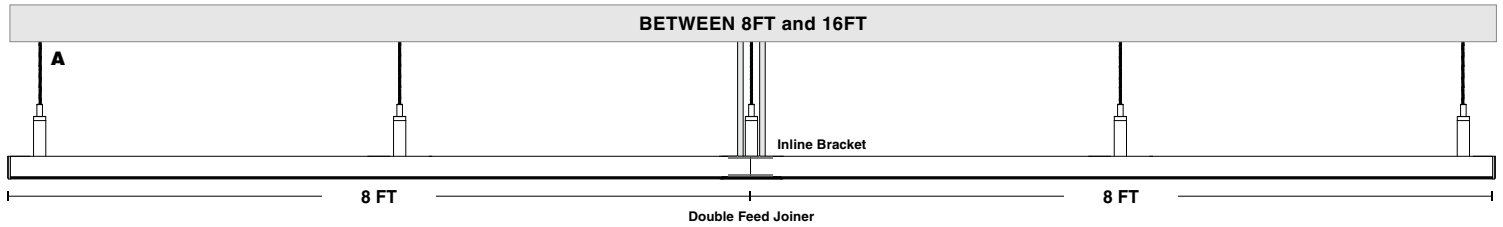
- Maximum single fixture length: 98"
- Suspended fixtures over 6ft require additional suspension points. 8ft lengths will bow 0.25" in middle without additional support.
- Shop drawings required for run lengths over 8ft
- Any double fed fixture will come with double feed joiner and inline bracket



Part number example for a suspended VERS-02 dry rated static white fixture with a diffused lens in 1.5W/ft, 3000K, in a satin finish:

A VERS-02-SK-SW-1.5-30-DRY-DF-N/A-S2-BW-CLS-SV-AWM-SK-ST-144" (1X)
 SK-SF-RD-5"-WH-JB-36" (2X)
 SK-NF-RD-5"-WH-JB-36" (1X)

B VERS-02-SK-SW-1.5-30-DRY-DF-N/A-S2-BW-CLS-SV-AWM-SK-ST-144" (1X)
 SK-DF-RD-5"-WH-JB-36" (1X)
 SK-NF-RD-5"-WH-JB-36" (2X)



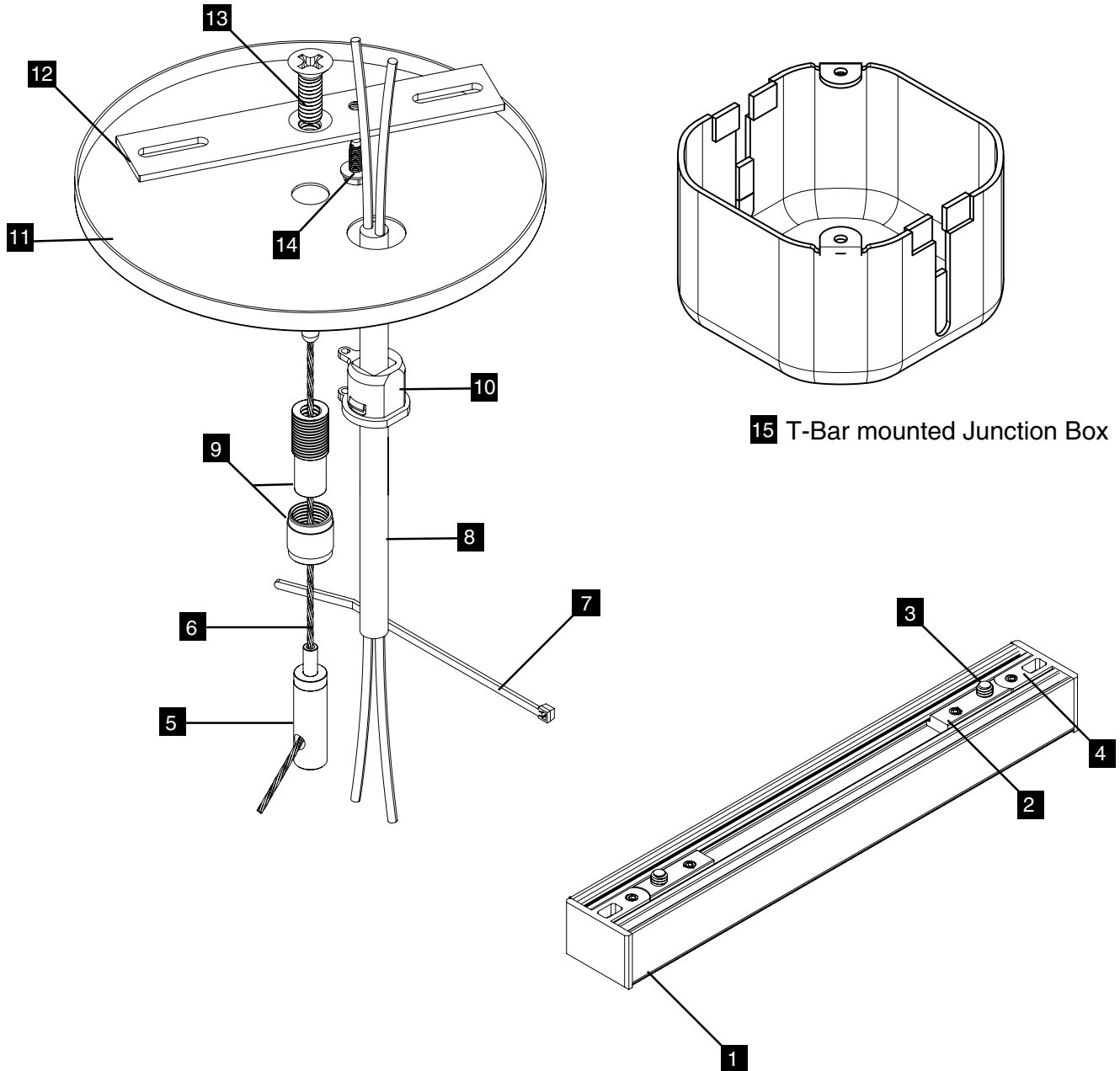
VERS-FLUSH-SK (02)

Linear Fixtures - Suspended



SUSPENSION T-BAR POWER FEED ASSEMBLY

SK-SF-RD-5-**-TB-36



VERS SUSPENSION COMPONENTS

- | | | | | | | | | | | | | | |
|---|-----------|---|--------------------|----|---------------|----|--------|----|---------------|----|-------------|----|--------------|
| 1 | VERS | 2 | Suspension Bracket | 3 | 8-32 Screw | 4 | Endcap | 5 | Cable Gripper | 6 | 1/16" Cable | 7 | Tie |
| 8 | Lead Wire | 9 | Cable Coupler | 10 | Strain Relief | 11 | Canopy | 12 | Crossbar | 13 | 1/4"-20 | 14 | Ground Screw |

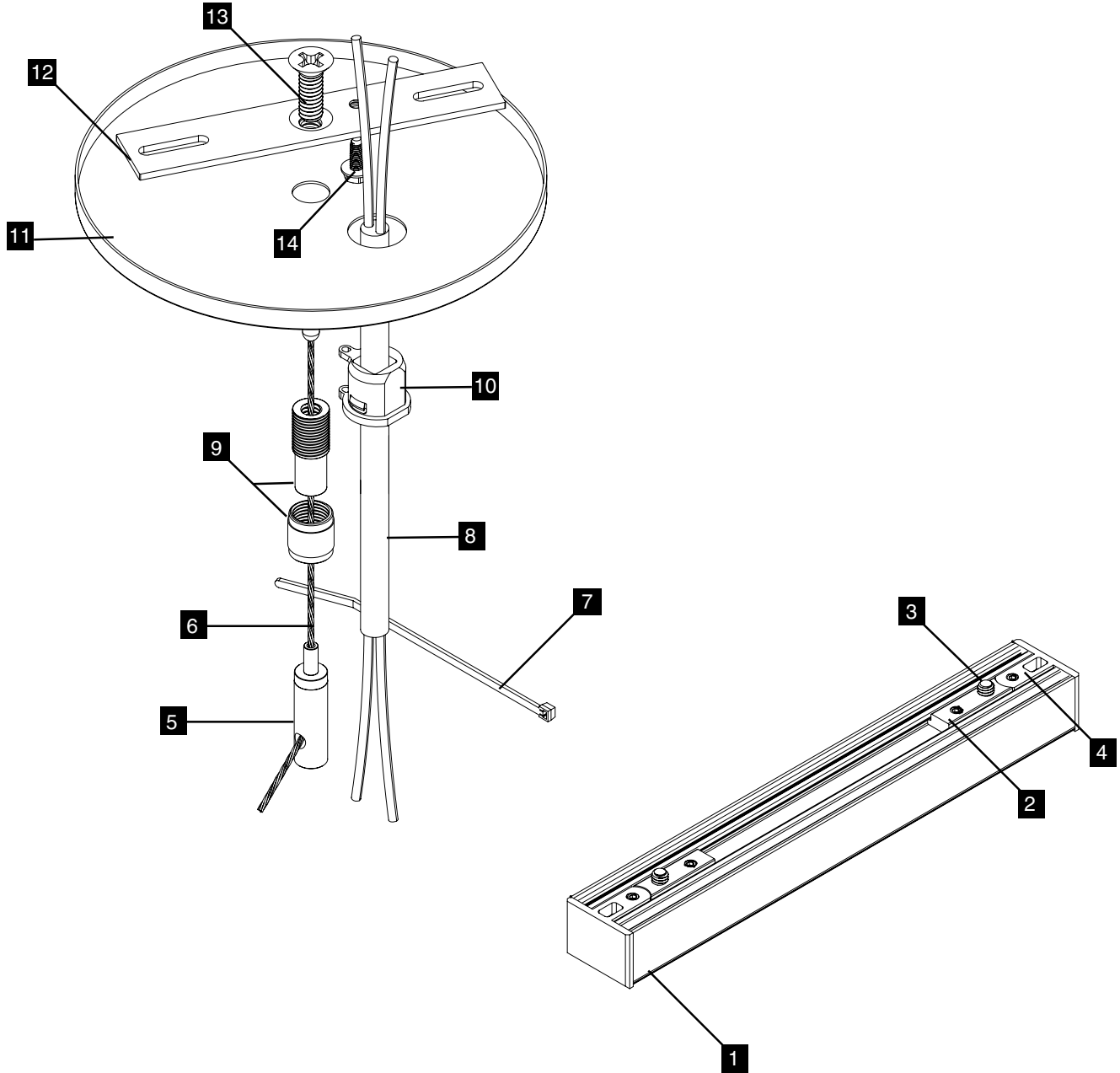
VERS-FLUSH-SK (02)

Linear Fixtures - Suspended



SUSPENSION POWER FEED ASSEMBLY - TO MOUNT TO JUNCTION BOX*
SK-SF-RD-5-**-JB-36

*JUNCTION BOX NOT INCLUDED



VERS SUSPENSION COMPONENTS

- | | | | | | | | | | | | | | |
|---|-----------|---|--------------------|----|---------------|----|--------|----|---------------|----|-------------|----|--------------|
| 1 | VERS | 2 | Suspension Bracket | 3 | 8-32 Screw | 4 | Endcap | 5 | Cable Gripper | 6 | 1/16" Cable | 7 | Tie |
| 8 | Lead Wire | 9 | Cable Coupler | 10 | Strain Relief | 11 | Canopy | 12 | Crossbar | 13 | 1/4"-20 | 14 | Ground Screw |

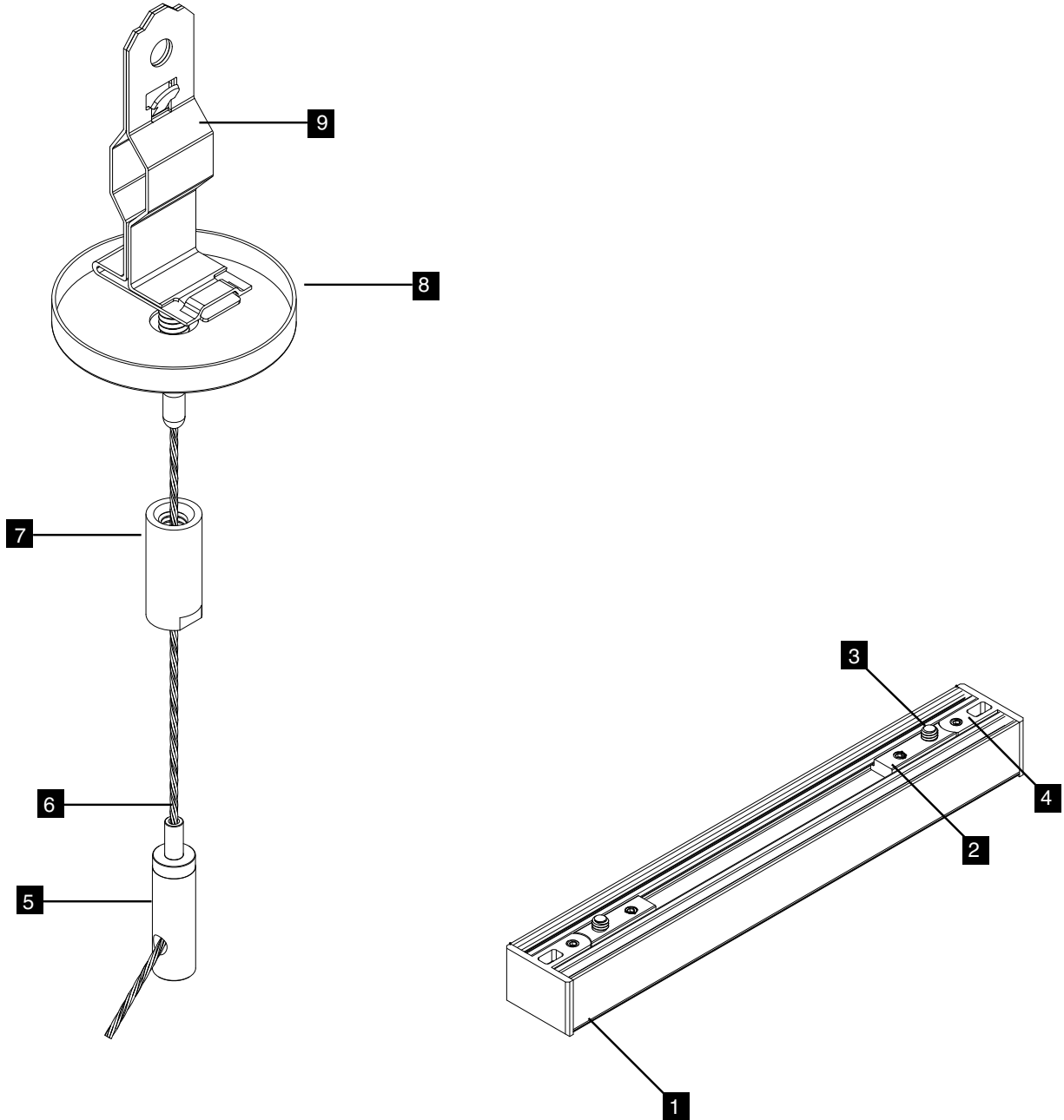
VERS-FLUSH-SK (02)

Linear Fixtures - Suspended



SUSPENSION T-BAR NON-FEED ASSEMBLY

SK-NF-RD-2-NF-*-TB-36



NON-POWERED FEED KIT

1 VERS	2 Suspension Bracket	3 8-32 Screw	4 Endcap	5 Cable Gripper
6 1/16" Cable	7 Cable Coupler	8 Canopy	9 T-Bar Clip	

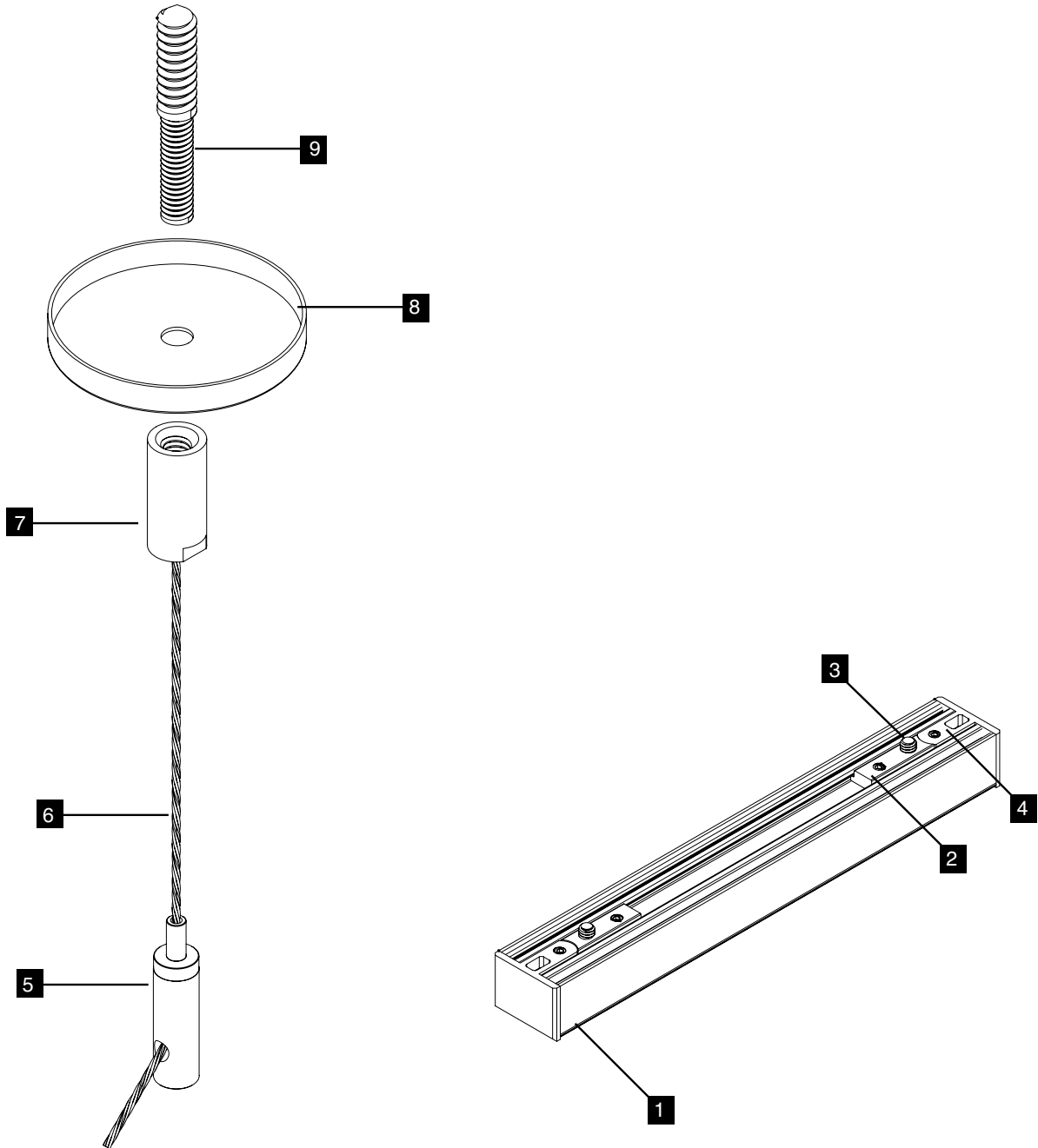
VERS-FLUSH-SK (02)

Linear Fixtures - Suspended



LAG SCREW NON-FEED ASSEMBLY

SK-NF-RD-2-NF-*
-LS-36



NON-POWERED FEED KIT

1 VERS	2 Suspension Bracket	3 8-32 Screw	4 Endcap	5 Cable Gripper
6 1/16" Cable	7 Cable Coupler	8 Canopy	9 Lag Screw	