

VERS-INSERT-SK (08) Linear Fixtures - Suspended



Utilizing a clear lens that sits flush to the fixture housing, the **VERS**atile Insert is a finished aluminum fixture whose lens profile allows for the insertion of a film.

- 80 Suspension Kit configurations allow fixture to be seamlessly incorporated into any interior
- Create long, continuous lines of light with easy-to-use inline bracket and double feed joiner connectors
- High-quality VERS aluminum housings are available in satin, black, bronze, and white
- Integrated metal endcaps combined with an extruded aluminum housing give this fixture a polished modern look
- Len options include Batwing and Glare Control
- Available in Static White, Static White High-Efficacy, Dynamic White, Dynamic White High-Efficacy, and RGB
- Optional External Louver Accessory offered in matte black or white finish

Part Number Builder

Static White



Product	W/FT	CCT	Rated	Lens	Louver	Input/Output	Connector/Wire In	Connector/Wire Out	Wire Color	Wire Type	Mounting	Finish	Length* (in)
VERS-08-SK-SW						S2	BW	CLS	SV	AWM	SK		
Voltage: 24 VDC	1.5 3.0 4.0 5.0 6.0	20 22 24 27 30 35 40	DRY (IP20)	BAT GC	L1-WH L1-BK N/A	S2 Single (Closed exit)	BW	CLS	SV	AWM	SK	ST BK BZ WH	
Typical lumens at 5.0W/ft with GC lens at 3000K: 382 lm/ft			DMP (IP54)										

*Available in 1" increments for 1.5W/ft - 5.0W/ft and 2" increments for 6.0W/ft. Maximum single fixture length of 98". See fixture detail on page 5. Minimum single fixture length 2".

Shop drawings required for run lengths over 8ft.

** See page 6 for suspension kit options.

Static White High Efficacy



Product	W/FT	CCT	Rated	Lens	Louver	Input/Output	Connector/Wire In	Connector/Wire Out	Wire Color	Wire Type	Mounting	Finish	Length* (in)
VERS-08-SK-SW						S2	BW	CLS	SV	AWM	SK		
Voltage: 24 VDC	1.5HE 3.0HE 6.0HE 9.0HE	20 22 24 27 30 35 40	DRY (IP20)	BAT GC	L1-WH L1-BK N/A	S2 Single (Closed exit)	BW	CLS	SV	AWM	SK	ST BK BZ WH	
Typical lumens at 6.0W/ft with GC lens at 3000K: 602 lm/ft			DMP (IP54)										

*Available in 2" increments, maximum single fixture length of 98". See fixture detail on page 5. Minimum single fixture length 2".

Shop drawings required for run lengths over 8ft.

** See page 6 for suspension kit options.

- **BW** comes in standard 36"- request custom length (Max 120") by writing it in inches next to "BW" in the order code box (ex. BW48)
- **One Step, One Bin** based on 5W/ft

- 5 year warranty
- Field modifications void warranty
- Data subject to change, all data has +/- 5% tolerance
- Compatible for use with Q-Tran power supplies
- Suitable for installation in the storage area of a clothes closet when using wattage of 4.0W/ft or less

VERS-INSERT-SK (08) Linear Fixtures - Suspended



Dynamic White



Product	W/FT	CCT	Rated	Lens	Louver	Input/ Output	Connector/ Wire In	Connector/ Wire Out	Wire Color	Wire Type	Mounting	Finish	Length* (in)
VERS-08-SK-DW	6.0					S2	BW	CLS	SV	AWM	SK		**
Voltage: 24 VDC		20/27 20/30	DRY (IP20)	BAT GC	L1-WH L1-BK N/A	S2 Single (Closed exit)	BW	CLS	SV	AWM	SK	ST BK BZ WH	
Typical lumens at 6.0W/ft with GC lens at 3000K: 225 lm/ft		24/30	DMP (IP54)										

*Available in 2" increments, maximum single fixture length of 98". See fixture detail on page 5. Minimum single fixture length 2".

Shop drawings required for run lengths over 8ft.

** See page 6 for suspension kit options.

Dynamic White High Efficacy



Product	W/FT	CCT	Rated	Lens	Louver	Input/ Output	Connector/ Wire In	Connector/ Wire Out	Wire Color	Wire Type	Mounting	Finish	Length* (in)
VERS-08-SK-DW						S2	BW	CLS	SV	AWM	SK		**
Voltage: 24 VDC		3.0HE 5.0HE 8.0HE	20/27 20/30 27/40 27/55	DRY (IP20)	BAT GC	L1-WH L1-BK N/A	S2 Single (Closed exit)	BW	CLS	SV	AWM	SK	ST BK BZ WH
Typical lumens at 5.0W/ft with GC lens at 3000K: 215 lm/ft		3.0HE 5.0HE	24/30 27/40	DMP (IP54)									

*Available in 2" increments, maximum single fixture length of 98". See fixture detail on page 5. Minimum single fixture length 2".

Shop drawings required for run lengths over 8ft.

** See page 6 for suspension kit options.

Warm Dim



Product	W/FT	CCT	Rated	Lens	Louver	Input/ Output	Connector/ Wire In	Connector/ Wire Out	Wire Color	Wire Type	Mounting	Finish	Length* (in)
VERS-08-SK-WD	6.0		DRY			S2	BW	CLS	SV	AWM	SK		**
Voltage: 24 VDC		19/27 19/30	DRY (IP20)	BAT GC	L1-WH L1-BK N/A	S2 Single (Closed exit)	BW	CLS	SV	AWM	SK	ST BK BZ WH	
Typical lumens at 6.0W/ft with GC lens at 3000K: 433 lm/ft													

*Available in 2" increments, maximum single fixture length of 98". See fixture detail on page 5. Minimum single fixture length 2".

Shop drawings required for run lengths over 8ft.

** See page 6 for suspension kit options.

Only compatible with QZ and QZLP. Not compatible with other power supplies such as QTM-eLED+WD and QOM-eLED+WD.

- BW comes in standard 36" - request custom length (Max 120") by writing it in inches next to "BW" in the order code box (ex. BW48)

- 5 year warranty
- Field modifications void warranty
- Data subject to change, all data has +/- 5% tolerance
- Compatible for use with Q-Tran power supplies
- Suitable for installation in the storage area of a clothes closet when using wattage of 4.0W/ft or less
- Florida Fish and Wildlife Conservation Commission (FWC) rated strips: DRY rated, Red and Amber

VERS-INSERT-SK (08) Linear Fixtures - Suspended



Static Color



whiteoptics®

5 YEAR WARRANTY



Product	W/FT	CCT	Rated	Lens	Louver	Input/ Output	Connector/ Wire In	Connector/ Wire Out	Wire Color	Wire Type	Mounting	Finish	Length* (in)
VERS-08-SK-SC	5.0					S2	BW	CLS	SV	AWM	SK		**
		GR BL RD AB	DRY (IP20) DMP (IP54)	BAT GC	L1-WH L1-BK N/A	S2 Single (Closed exit)	BW	CLS	SV	AWM	SK	ST BK BZ WH	

Voltage: 24 VDC

Typical lumens at 5.0W/ft with GC lens in green: 508 lm/ft

*Available in 2" increments, maximum single fixture length of 98". See fixture detail on page 5. Minimum single fixture length 2".

Shop drawings required for run lengths over 8ft.

**See page 6 for suspension kit options.

RGB



whiteoptics®

5 YEAR WARRANTY

Product	W/FT	CCT	Rated	Lens	Louver	Input/ Output	Connector/ Wire In	Connector/ Wire Out	Wire Color	Wire Type	Mounting	Finish	Length* (in)
VERS-08-SK-RGB	6.0	RGB				S2	BW	CLS	SV	AWM	SK		**
			DRY (IP20) DMP (IP54)	BAT GC	L1-WH L1-BK N/A	S2 Single (Closed exit)	BW	CLS	SV	AWM	SK	ST BK BZ WH	

Voltage: 24 VDC

Typical lumens at 6.0W/ft with GC lens in green: 164 lm/ft

*Available in 2" increments, maximum single fixture length of 98". See fixture detail on page 5. Minimum single fixture length 2".

Shop drawings required for run lengths over 8ft.

**See page 6 for suspension kit options.

- BW comes in standard 36" - request custom length (Max 120") by writing it in inches next to "BW" in the order code box (ex. BW48)

- 5 year warranty
- Field modifications void warranty
- Data subject to change, all data has +/- 5% tolerance
- Compatible for use with Q-Tran power supplies
- Florida Fish and Wildlife Conservation Commission (FWC) rated strips: DRY rated, Red and Amber

VERS-INSERT-SK (08) Linear Fixtures - Suspended



Technical Information Delivered lumens

See photometric files for complete details.

Static White [Calculated L70 = 70000 hrs]

Tested with VERS-08-SK-SW-**-30-DRY-**-...-ST

	1.5W/FT			3.0W/FT			4.0W/FT			5.0W/FT			6.0W/FT		
	LM/FT	CRI	UGR	LM/FT	CRI	UGR	LM/FT	CRI	UGR	LM/FT	CRI	UGR	LM/FT	CRI	UGR
BAT	130	98	N/A	226	98	N/A	282	98	N/A	349	98	N/A	395	98	N/A
GC	142	98	≤17.8	260	98	≤19.7	315	98	≤20.5	382	98	≤21.7	434	98	≤21.7

*NOTE - UGR is based on 4H X 8H room dimensions, where H is the mounted height of the luminaire.

Static White High Efficacy [Calculated L70 = 70000 hrs]

Tested with VERS-08-SK-SW-**-30-DRY-**-...-ST

	1.5HE W/FT			3.0HE W/FT			6.0HE W/FT			9.0HE W/FT		
	LM/FT	CRI	UGR	LM/FT	CRI	UGR	LM/FT	CRI	UGR	LM/FT	CRI	UGR
BAT	149	98	N/A	290	97	N/A	581	98	N/A	797	98	N/A
GC	167	98	≤18.8	330	97	≤21.0	602	98	≤23.3	818	98	≤24.4

Dynamic White High Efficacy [Calculated L70 = 70000 hrs]

Tested with VERS-08-SK-DW-5.0HE-**-DRY-**-...-ST

	2000K			2700K			3000K			4000K			5500K		
	LM/FT	CRI	UGR	LM/FT	CRI	UGR	LM/FT	CRI	UGR	LM/FT	CRI	UGR	LM/FT	CRI	UGR
BAT	174	93	N/A	197	98	N/A	203	98	N/A	205	97	N/A	224	97	N/A
GC	192	93	≤19.3	213	98	≤19.6	215	98	≤19.6	220	97	≤20	247	97	≤20.3

Dynamic White [Calculated L70 = 70000 hrs]

Tested with VERS-08-SK-DW-6.0-**-DRY-**-...-ST

	2000K			2700K			3000K		
	LM/FT	CRI	UGR	LM/FT	CRI	UGR	LM/FT	CRI	UGR
BAT	171	94	N/A	185	97	N/A	195	98	N/A
GC	195	94	≤19.1	207	97	≤19.5	225	98	≤19.7

Static Color [Calculated L70 = 30000 hrs]

Tested with VERS-08-SK-SC-5.0-**-DRY-**-...-ST

	Red			Green			Blue			Amber		
	LM/FT	Wavelength	UGR	LM/FT	Wavelength	UGR	LM/FT	Wavelength	UGR	LM/FT	Wavelength	UGR
BAT	90	635	N/A	455	520	N/A	97	466	N/A	72	595	N/A
GC	100	635	≤17.2	508	521	≤22.9	117	467	≤17.8	79	596	≤16.2

Warm Dim [Calculated L70 = 70000 hrs]

Tested with VERS-08-SK-WD-6.0-**-DRY-**-...-ST

	2700K			3000K		
	LM/FT	CRI	UGR	LM/FT	CRI	UGR
BAT	382	97	N/A	393	97	N/A
GC	417	97	≤21.7	433	97	≤22.2

RGB [Calculated L70 = 55000 hrs]

Tested with VERS-08-SK-RGB-6.0-RGB-DRY-**-...-ST

	Red			Green			Blue		
	LM/FT	Wavelength	UGR	LM/FT	Wavelength	UGR	LM/FT	Wavelength	UGR
BAT	75	631	N/A	145	522	N/A	40	470	N/A
GC	83	631	≤16.4	164	524	≤18.9	45	470	≤14.7

Temperature Ratings Dependent on LED Strip W/FT

Light Engine (LED Strip)	W/FT	Minimum Limit (°F)	Maximum Limit (°F)
Static White	1.5	-40	138
	3.0	-40	124
	4.0	-40	115
	5.0	-40	108
Static White High-Efficacy	1.5HE	-40	152
	3.0HE	-40	140
	6.0HE	-40	118
	9.0HE	-40	95

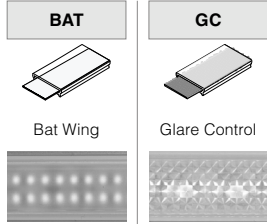
VERS-INSERT-SK (08)

Linear Fixtures - Suspended



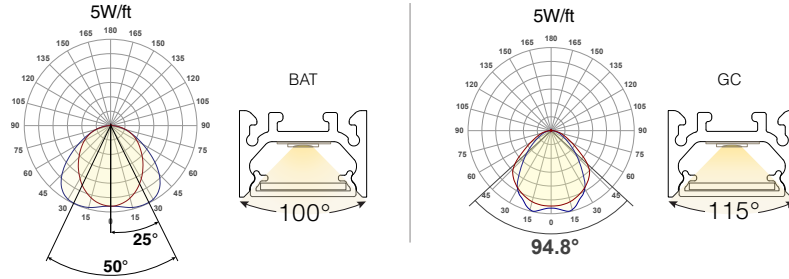
Lens

with LED visibility

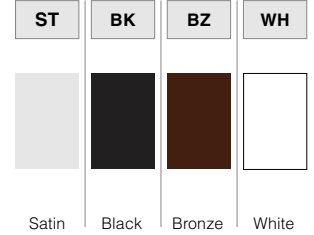


Beam Angle

NOTE: Nominal beam spread shown, beam spread varies based on light engine. For more detailed information, see IES PDF file.

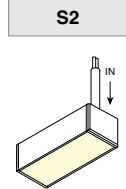


Finish

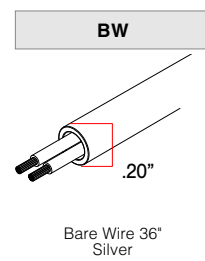


Input/Output

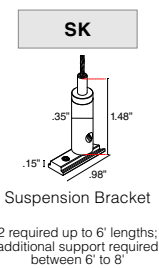
SINGLE (Input only)



Connector/Wire – In/Out

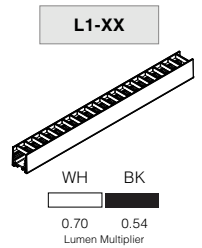


Mounting

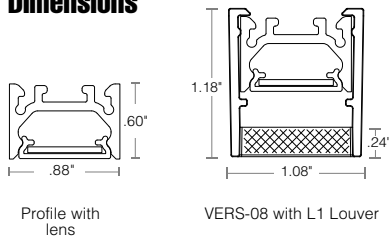


2 required up to 6' lengths; additional support required between 6' to 8'

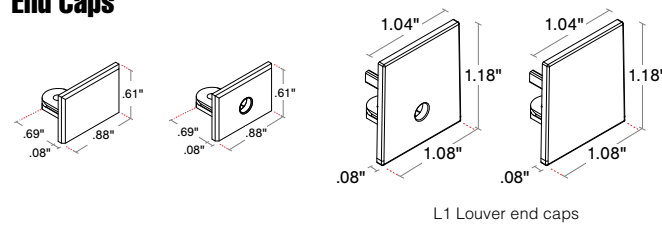
Louver



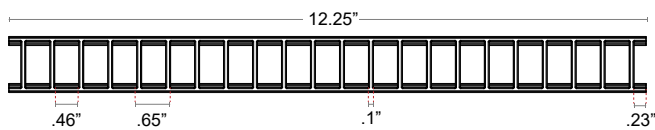
Dimensions



End Caps



Louver

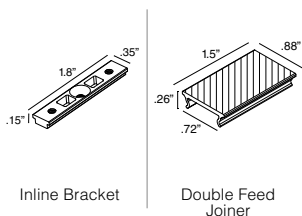


Light Engine Spacing Detail

Add to nominal LED length for fixture length



Joints/Connectors for Continuous Row Mounting



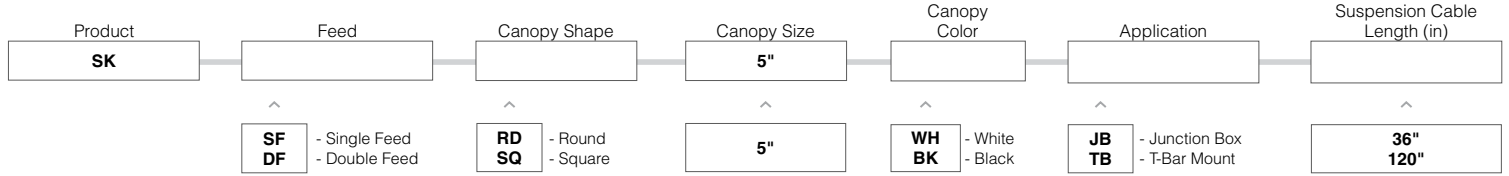
VERS-INSERT-SK (08)

Linear Fixtures - Suspended

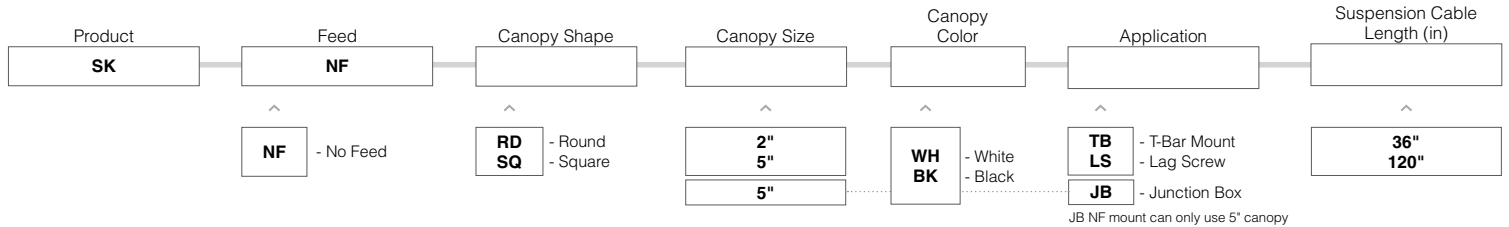


Part Number Builder

POWER FEED SUSPENSION KIT



NON-FEED SUSPENSION KIT



- Shop drawings required for run lengths over 8ft
- If no suspension length provided, 36" is standard
- Suspension cable maximum length: 120"
- Suspension cable is field cuttable
- Suspended fixtures over 6ft require additional suspension points. 8ft lengths will bow 0.25" in middle without additional support.
- Any run length over 8' requires inline brackets
- Consult factory for power over aircraft
- Consult factory for custom color of canopy
- Lag Screw is for mounting into drywall, wood, or other types of finished ceilings for non-feed mounting only

Kit Contents

- 1/16" Steel suspension cable – 36" standard
- Selected canopy
- Cable Gripper
- Cable Coupler

JBOX

- Bracket to mount to junction box (junction box not included)
- Wire strain relief
- Ties for securing electrical cable to suspension cable

T-BAR – feed

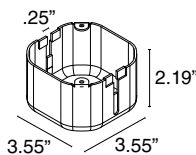
- Includes junction box specifically designed for T-BAR applications
- Bracket to mount to junction box
- Wire strain relief
- Ties for securing electrical wire to suspension cable

T-BAR – non-feed

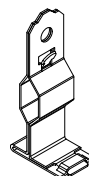
- Bracket to mount to T-BAR (no junction box)

LAG SCREW – non-feed only

- Double ended screw, with a wood thread side and machine thread side
- One piece cable coupler



T-BAR JBOX



T-BAR CLIP



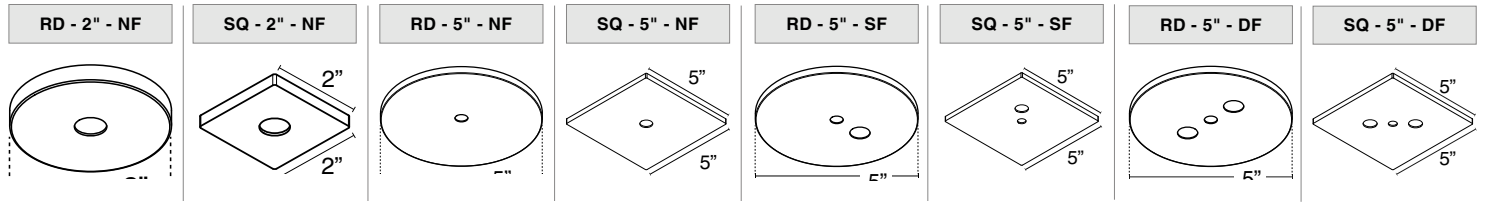
LAG SCREW

VERS-INSERT-SK (08)

Linear Fixtures - Suspended



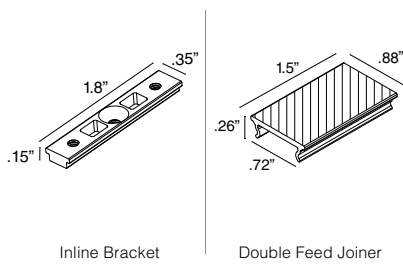
Canopy Options



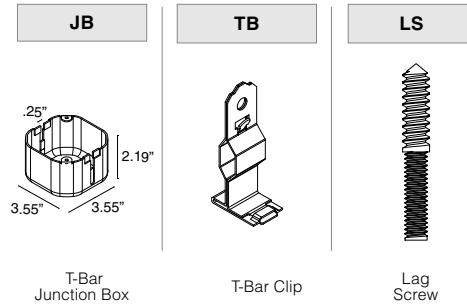
Canopy Finish



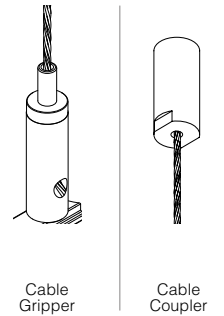
Joints/Connectors



Application

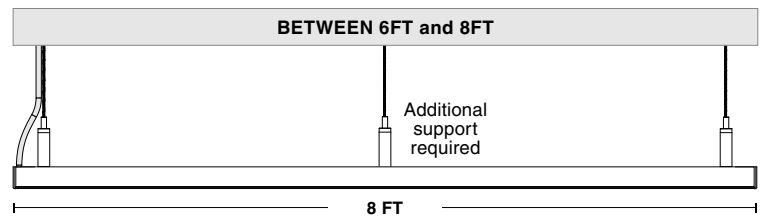
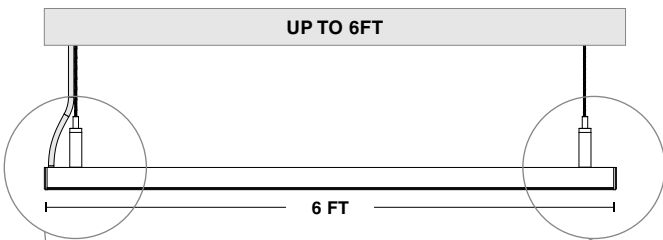


Kit Hardware

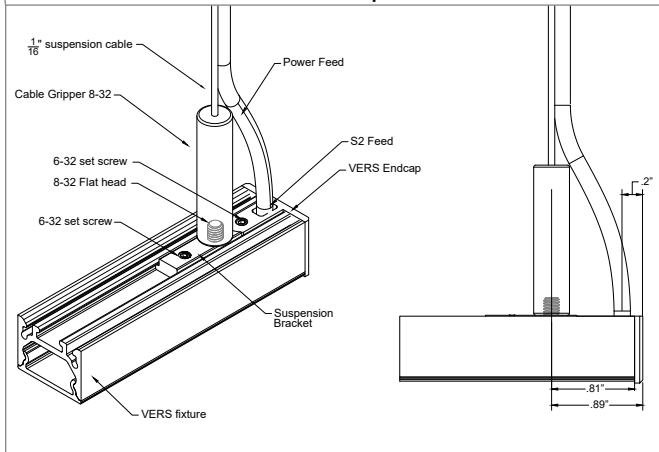


Mounting

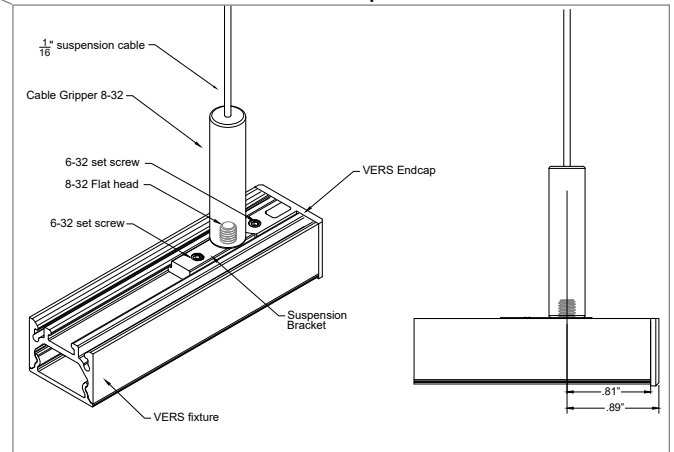
- Maximum single fixture length: 98"
- Suspended fixtures over 6ft require additional suspension points. 8ft lengths will bow 0.25" in middle without additional support.
- Shop drawings required for run lengths over 8ft
- Any double feed fixture will come with double feed joiner and inline bracket



Power Feed Suspension



Non-Feed Suspension

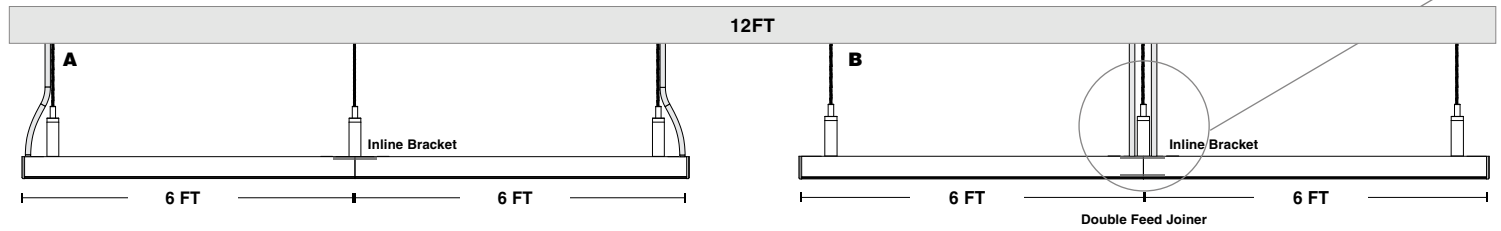
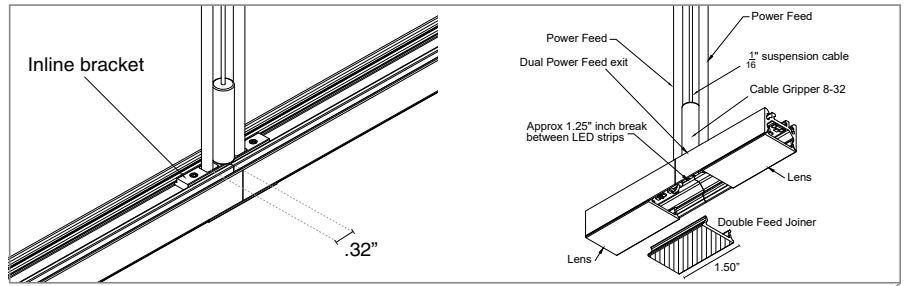


VERS-INSERT-SK (08) Linear Fixtures - Suspended



Mounting

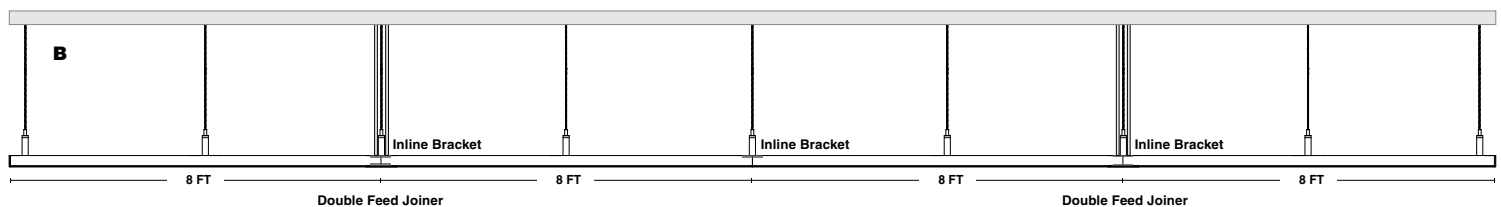
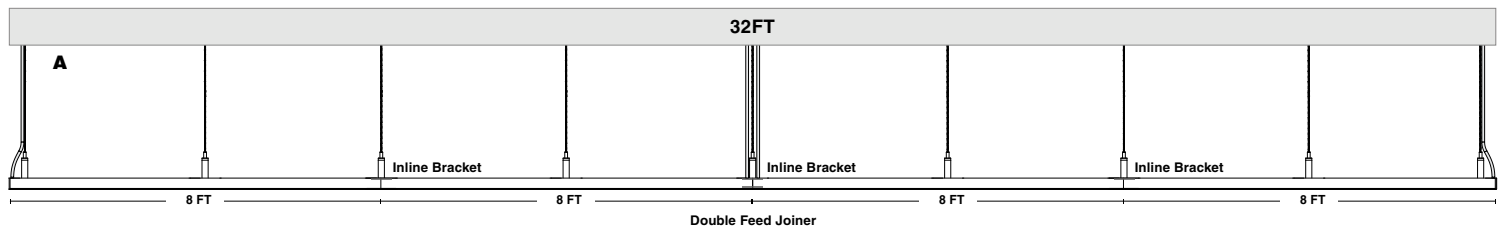
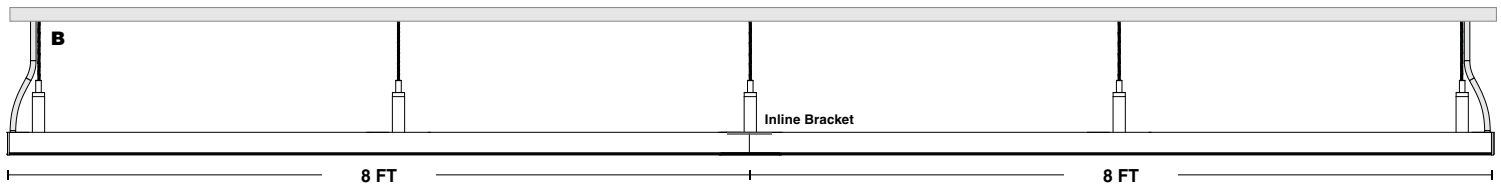
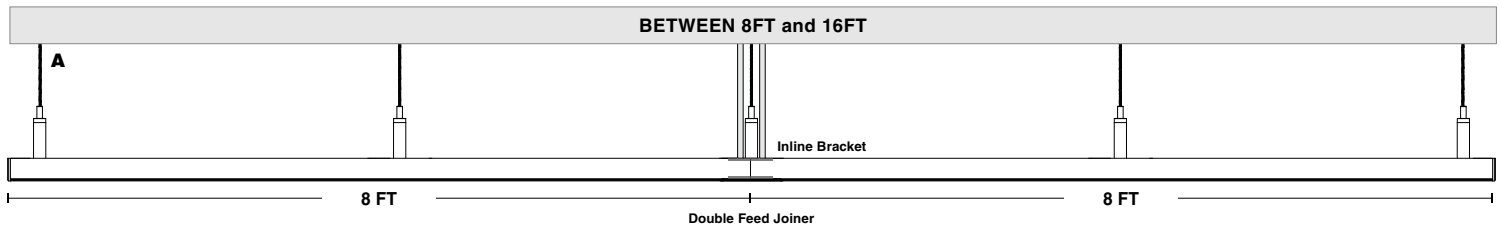
- Maximum single fixture length: 98"
- Suspended fixtures over 6ft require additional suspension points. 8ft lengths will bow 0.25" in middle without additional support.
- Shop drawings required for run lengths over 8ft
- Any double fed fixture will come with double feed joiner and inline bracket



Part number example for a suspended VERS-08 dry rated static white fixture with a bat wing lens in 1.5W/ft, 3000K, in a satin finish:

A VERS-08-SK-SW-1.5-30-DRY-BAT-N/A-S2-BW-CLS-SV-AWM-SK-ST-144" (1X)
 SK-SF-RD-5"-WH-JB-36" (2X)
 SK-NF-RD-5"-WH-JB-36" (1X)

B VERS-08-SK-SW-1.5-30-DRY-BAT-N/A-S2-BW-CLS-SV-AWM-SK-ST-144" (1X)
 SK-DF-RD-5"-WH-JB-36" (1X)
 SK-NF-RD-5"-WH-JB-36" (2X)



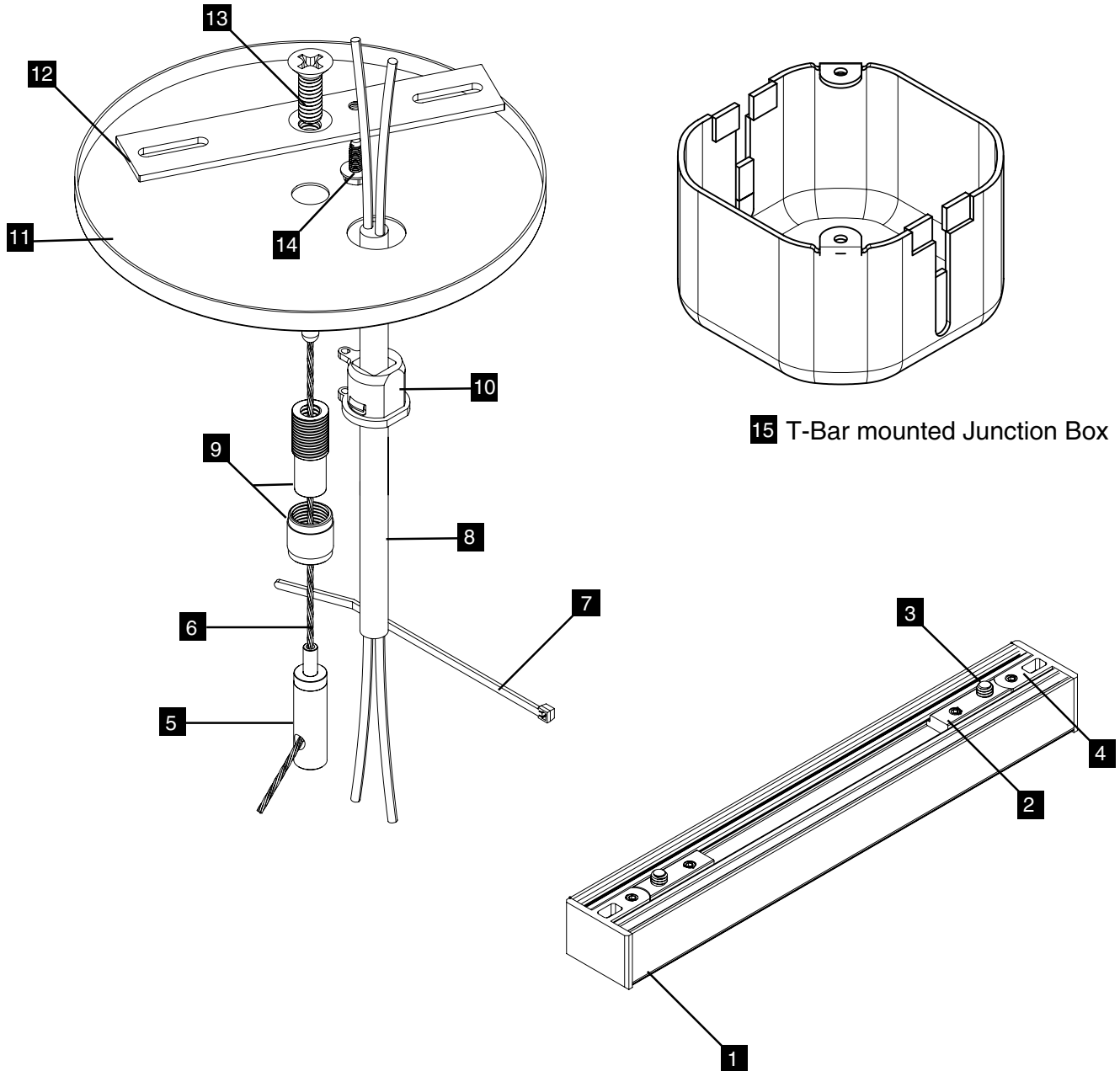
VERS-INSERT-SK (08)

Linear Fixtures - Suspended



SUSPENSION T-BAR POWER FEED ASSEMBLY

SK-SF-RD-5-**-TB-36



VERS SUSPENSION COMPONENTS

- | | | | | | | | | | | | | | |
|---|-----------|---|--------------------|----|---------------|----|--------|----|---------------|----|-------------|----|--------------|
| 1 | VERS | 2 | Suspension Bracket | 3 | 8-32 Screw | 4 | Endcap | 5 | Cable Gripper | 6 | 1/16" Cable | 7 | Tie |
| 8 | Lead Wire | 9 | Cable Coupler | 10 | Strain Relief | 11 | Canopy | 12 | Crossbar | 13 | 1/4"-20 | 14 | Ground Screw |

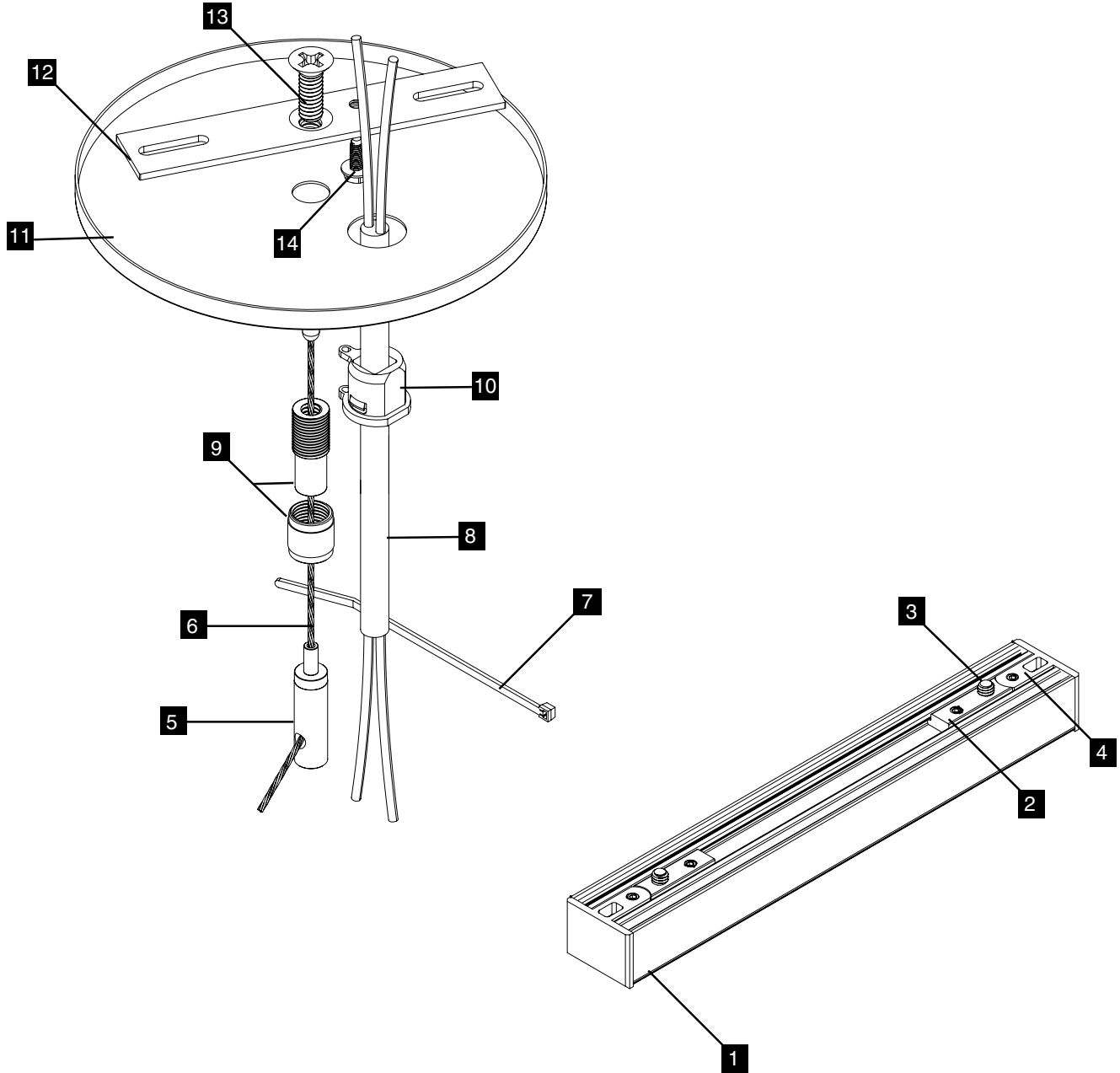
VERS-INSERT-SK (08)

Linear Fixtures - Suspended



SUSPENSION POWER FEED ASSEMBLY - TO MOUNT TO JUNCTION BOX*
SK-SF-RD-5-**-JB-36

*JUNCTION BOX NOT INCLUDED



VERS SUSPENSION COMPONENTS

- | | | | | | | | | | | | | | |
|---|-----------|---|--------------------|----|---------------|----|--------|----|---------------|----|-------------|----|--------------|
| 1 | VERS | 2 | Suspension Bracket | 3 | 8-32 Screw | 4 | Endcap | 5 | Cable Gripper | 6 | 1/16" Cable | 7 | Tie |
| 8 | Lead Wire | 9 | Cable Coupler | 10 | Strain Relief | 11 | Canopy | 12 | Crossbar | 13 | 1/4"-20 | 14 | Ground Screw |

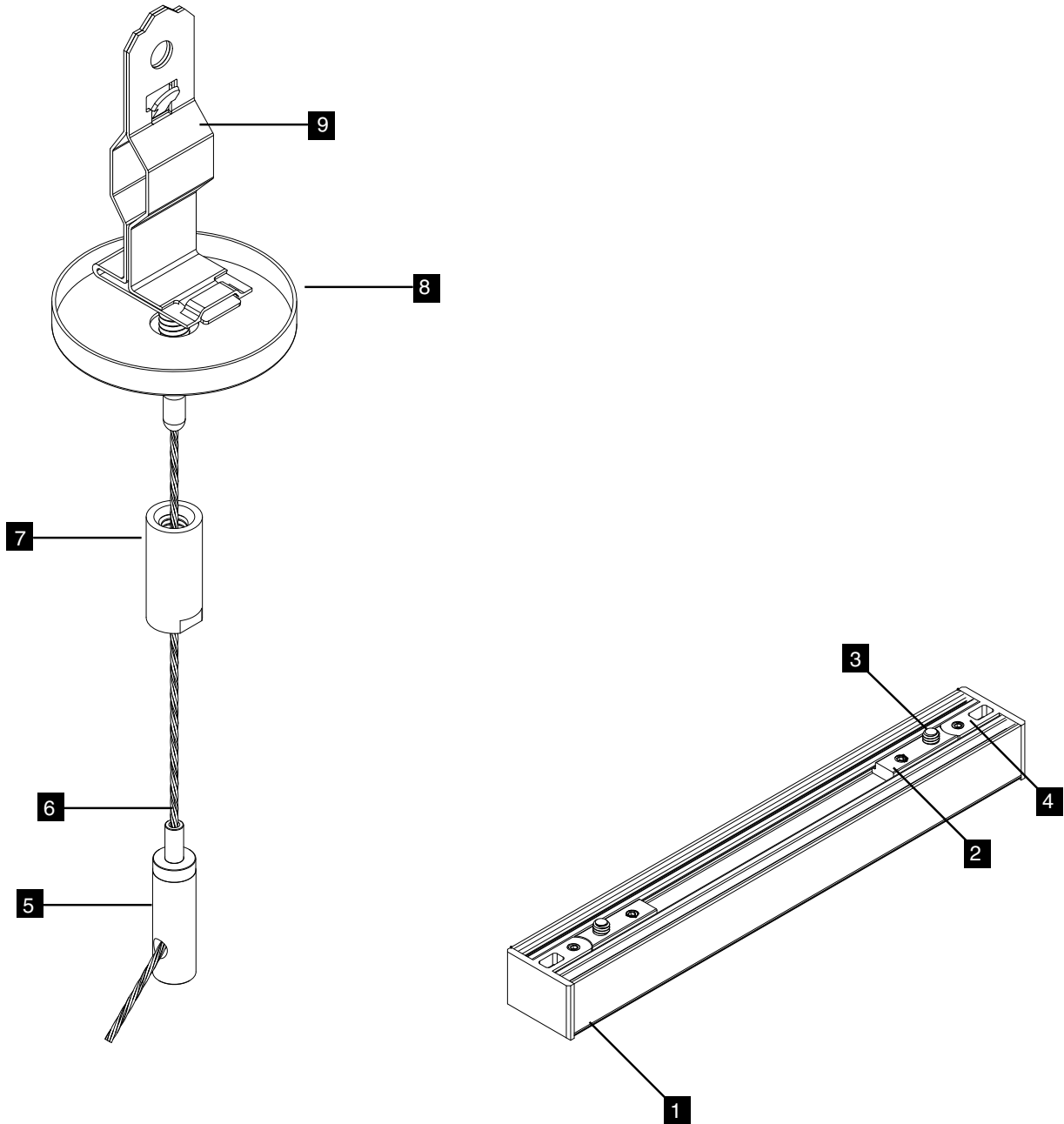
VERS-INSERT-SK (08)

Linear Fixtures - Suspended



SUSPENSION T-BAR NON-FEED ASSEMBLY

SK-NF-RD-2-NF-*-TB-36



NON-POWERED FEED KIT

1 VERS	2 Suspension Bracket	3 8-32 Screw	4 Endcap	5 Cable Gripper
6 1/16" Cable	7 Cable Coupler	8 Canopy	9 T-Bar Clip	

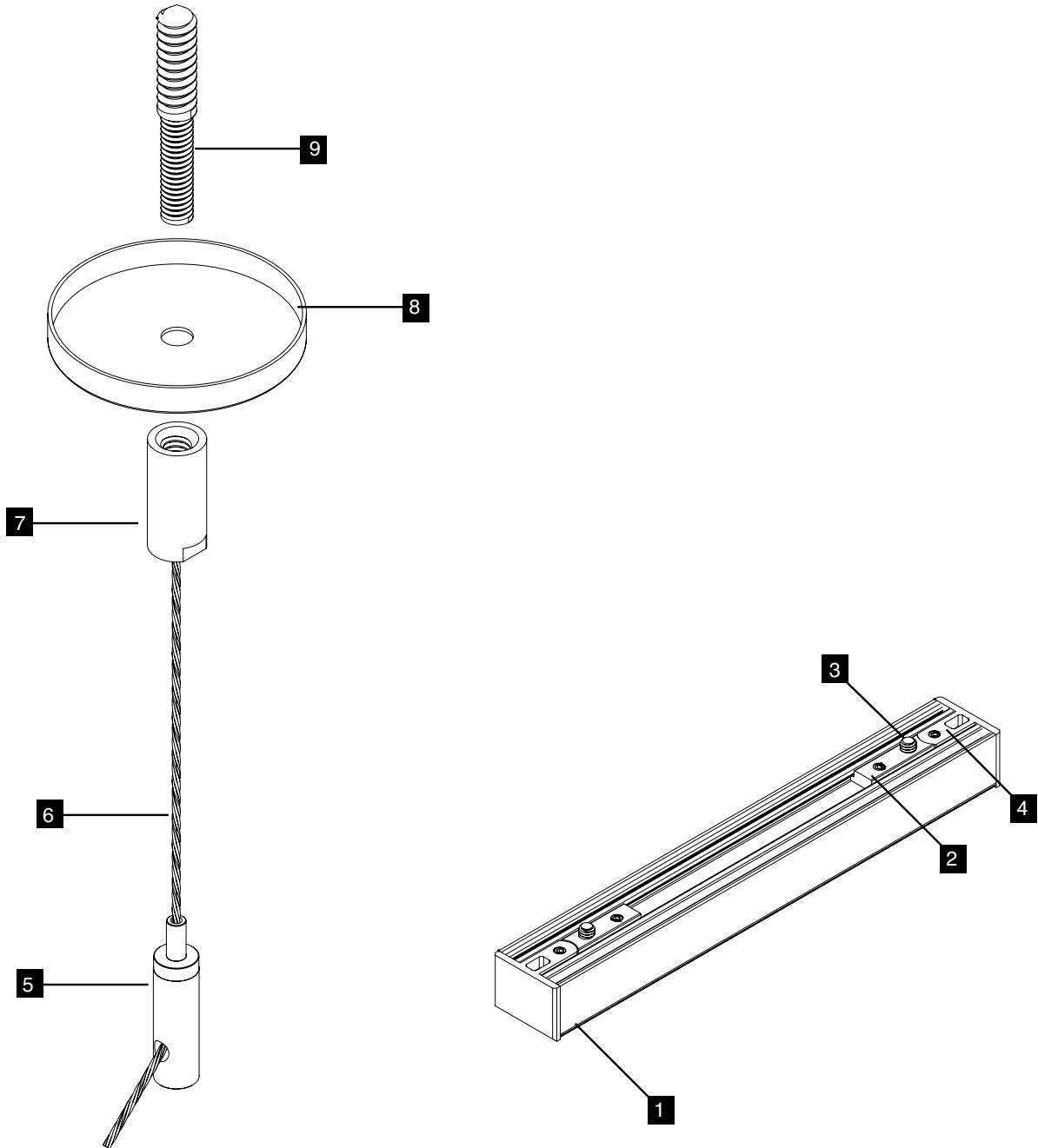
VERS-INSERT-SK (08)

Linear Fixtures - Suspended



LAG SCREW NON-FEED ASSEMBLY

SK-NF-RD-2-NF-*
LS-36



NON-POWERED FEED KIT

1 VERS	2 Suspension Bracket	3 8-32 Screw	4 Endcap	5 Cable Gripper
6 1/16" Cable	7 Cable Coupler	8 Canopy	9 Lag Screw	