

VERS-PROUD-SK (01) Linear Fixtures - Suspended



Known for performance and **VERS**atility, Proud utilizes an extruded lens that sits above the edge of the housing, creating a fine architectural line of light along the edge of the fixture.

- 80 Suspension Kit configurations allow fixture to be seamlessly incorporated into any interior
- Create long, continuous lines of light with easy-to-use inline bracket and double feed joiner connectors
- High-quality VERS aluminum housings are available in satin, black, bronze, and white
- Integrated metal endcaps combined with an extruded aluminum housing give this fixture a polished modern look
- Len options include Frosted, Polar, and Diffused
- Available in Static White, Static White High-Efficacy, Dynamic White, Dynamic White High-Efficacy, and RGB
- Optional External Louver Accessory offered in matte black or white finish

Part Number Builder

Static White



Product	W/FT	CCT	Rated	Lens	Louver	Input/ Output	Connector/ Wire In	Connector/ Wire Out	Wire Color	Wire Type	Mounting	Finish	Length* (in)
VERS-01-SK-SW						S2	BW	CLS	SV	AWM	SK		**
Voltage: 24 VDC	1.5 3.0 4.0 5.0 6.0	20 22 24 27 30 35 40	DRY (IP20)	FR PR DF	L1-WH L1-BK N/A	S2 <small>Single (Closed exit)</small>	BW	CLS	SV	AWM	SK	ST BK BZ WH	
Typical lumens at 5.0W/ft with FR lens at 3000K: 423 lm/ft			DMP (IP54)										
	1.5 3.0 4.0 5.0	24 27 30 35 40											

*Available in 1" increments for 1.5W/ft - 5.0W/ft and 2" increments for 6.0W/ft. Maximum single fixture length of 98". See fixture detail on page 5. Minimum single fixture length 2".

Shop drawings required for run lengths over 8ft.

**See page 6 for suspension kit options.

Static White High Efficacy



Product	W/FT	CCT	Rated	Lens	Louver	Input/ Output	Connector/ Wire In	Connector/ Wire Out	Wire Color	Wire Type	Mounting	Finish	Length* (in)
VERS-01-SK-SW						S2	BW	CLS	SV	AWM	SK		**
Voltage: 24 VDC	1.5HE 3.0HE 6.0HE 9.0HE	20 22 24 27 30 35 40	DRY (IP20)	FR PR DF	L1-WH L1-BK N/A	S2 <small>Single (Closed exit)</small>	BW	CLS	SV	AWM	SK	ST BK BZ WH	
Typical lumens at 6.0W/ft with FR lens at 3000K: 681 lm/ft			DMP (IP54)										
	1.5HE 3.0HE 6.0HE	24 27 30 35 40											

*Available in 2" increments, maximum single fixture length of 98". See fixture detail on page 5. Minimum single fixture length 2".

Shop drawings required for run lengths over 8ft.

**See page 6 for suspension kit options.

- **BW** comes in standard 36"- request custom length (Max 120") by writing it in inches next to "BW" in the order code box (ex. BW48)
- **One Step, One Bin** based on 5W/ft

<ul style="list-style-type: none"> • 5 year warranty • Field modifications void warranty • Data subject to change, all data has +/- 5% tolerance 	<ul style="list-style-type: none"> • Compatible for use with Q-Tran power supplies • Suitable for installation in the storage area of a clothes closet when using wattage of 4.0W/ft or less
---	--

VERS-PROUD-SK (01) Linear Fixtures - Suspended



Dynamic White



Product	W/FT	CCT	Rated	Lens	Louver	Input/ Output	Connector/ Wire In	Connector/ Wire Out	Wire Color	Wire Type	Mounting	Finish	Length* (in)
VERS-01-SK-DW	6.0					S2	BW	CLS	SV	AWM	SK		**
Voltage: 24 VDC		20/27 20/30	DRY (IP20)	FR PR DF	L1-WH L1-BK N/A	S2 Single (Closed exit)	BW	CLS	SV	AWM	SK	ST BK BZ WH	
Typical lumens at 6.0W/ft with FR lens at 3000K: 251 lm/ft		24/30	DMP (IP54)										

*Available in 2" increments, maximum single fixture length of 98". See fixture detail on page 5. Minimum single fixture length 2".

Shop drawings required for run lengths over 8ft.

**See page 6 for suspension kit options.

Dynamic White High Efficacy



Product	W/FT	CCT	Rated	Lens	Louver	Input/ Output	Connector/ Wire In	Connector/ Wire Out	Wire Color	Wire Type	Mounting	Finish	Length* (in)
VERS-01-SK-DW						S2	BW	CLS	SV	AWM	SK		**
Voltage: 24 VDC		3.0HE 5.0HE 8.0HE	20/27 20/30 27/40 27/55	DRY (IP20)	FR PR DF	S2 Single (Closed exit)	BW	CLS	SV	AWM	SK	ST BK BZ WH	
Typical lumens at 5.0W/ft with FR lens at 3000K: 247 lm/ft		3.0HE 5.0HE	24/30 27/40	DMP (IP54)									

*Available in 2" increments, maximum single fixture length of 98". See fixture detail on page 5. Minimum single fixture length 2".

Shop drawings required for run lengths over 8ft.

**See page 6 for suspension kit options.

Warm Dim



Product	W/FT	CCT	Rated	Lens	Louver	Input/ Output	Connector/ Wire In	Connector/ Wire Out	Wire Color	Wire Type	Mounting	Finish	Length* (in)
VERS-01-SK-WD	6.0		DRY			S2	BW	CLS	SV	AWM	SK		**
Voltage: 24 VDC		19/27 19/30	DRY (IP20)	FR PR DF	L1-WH L1-BK N/A	S2 Single (Closed exit)	BW	CLS	SV	AWM	SK	ST BK BZ WH	
Typical lumens at 6.0W/ft with FR lens at 3000K: 479 lm/ft													

*Available in 2" increments, maximum single fixture length of 98". See fixture detail on page 5. Minimum single fixture length 2".

Shop drawings required for run lengths over 8ft.

**See page 6 for suspension kit options.

Only compatible with QZ and QZLP. Not compatible with other power supplies such as QTM-eLED+WD and QOM-eLED+WD.

- BW comes in standard 36" - request custom length (Max 120") by writing it in inches next to "BW" in the order code box (ex. BW48)

- 5 year warranty
- Field modifications void warranty
- Data subject to change, all data has +/- 5% tolerance
- Compatible for use with Q-Tran power supplies

VERS-PROUD-SK (01) Linear Fixtures - Suspended



Static Color



whiteoptics®

5 YEAR WARRANTY



Product	W/FT	CCT	Rated	Lens	Louver	Input/ Output	Connector/ Wire In	Connector/ Wire Out	Wire Color	Wire Type	Mounting	Finish	Length* (in)
VERS-01-SK-SC	5.0					S2	BW	CLS	SV	AWM	SK		**
Voltage: 24 VDC													
Typical lumens at 5.0W/ft with FR lens in green: 554 lm/ft		GR BL RD AB	DRY (IP20) DMP (IP54)	FR PR DF	L1-WH L1-BK N/A	S2 Single (Closed exit)	BW	CLS	SV	AWM	SK	ST BK BZ WH	

*Available in 2" increments, maximum single fixture length of 98". See fixture detail on page 5. Minimum single fixture length 2'.

Shop drawings required for run lengths over 8ft.

**See page 6 for suspension kit options.

RGB



whiteoptics®

5 YEAR WARRANTY

Product	W/FT	CCT	Rated	Lens	Louver	Input/ Output	Connector/ Wire In	Connector/ Wire Out	Wire Color	Wire Type	Mounting	Finish	Length* (in)
VERS-01-SK-RGB	6.0	RGB				S2	BW	CLS	SV	AWM	SK		**
Voltage: 24 VDC													
Typical lumens at 6.0W/ft with FR lens in green: 175 lm/ft			DRY (IP20) DMP (IP54)	FR PR DF	L1-WH L1-BK N/A	S2 Single (Closed exit)	BW	CLS	SV	AWM	SK	ST BK BZ WH	

*Available in 2" increments, maximum single fixture length of 98". See fixture detail on page 5. Minimum single fixture length 2'.

Shop drawings required for run lengths over 8ft.

**See page 6 for suspension kit options.

- BW comes in standard 36" - request custom length (Max 120") by writing it in inches next to "BW" in the order code box (ex. BW48)

- 5 year warranty
- Field modifications void warranty
- Data subject to change, all data has +/- 5% tolerance
- Compatible for use with Q-Tran power supplies
- Florida Fish and Wildlife Conservation Commission (FWC) rated strips: DRY rated, Red and Amber

VERS-PROUD-SK (01) Linear Fixtures - Suspended



Technical Information Delivered lumens

See photometric files for complete details.

Static White [Calculated L70 = 70000 hrs]

Tested with VERS-01-SK-SW-**-30-DRY-**-...-ST

	1.5W/FT		3.0W/FT		4.0W/FT		5.0W/FT		6.0W/FT	
	LM/FT	CRI	LM/FT	CRI	LM/FT	CRI	LM/FT	CRI	LM/FT	CRI
FR	156	98	270	98	348	98	423	98	493	98
PR	152	98	261	98	338	98	409	98	475	98
DF	138	97	240	98	310	98	370	98	432	98

Static White High Efficacy

[Calculated L70 = 70000 hrs]

Tested with VERS-01-SK-SW-**-30-DRY-**-...-ST

	1.5HE W/FT		3.0HE W/FT		6.0HE W/FT		9.0HE W/FT	
	LM/FT	CRI	LM/FT	CRI	LM/FT	CRI	LM/FT	CRI
FR	197	98	374	98	681	98	995	98
PR	190	98	360	98	669	98	968	98
DF	172	98	326	98	616	98	874	98

Dynamic White

[Calculated L70 = 70000 hrs]

Tested with VERS-01-SK-DW-6.0-**-DRY-**-...-ST

	2000K		2700K		3000K	
	LM/FT	CRI	LM/FT	CRI	LM/FT	CRI
FR	216	94	238	97	251	98
PR	211	94	231	97	244	98
DF	190	94	209	97	217	98

Dynamic White High Efficacy

[Calculated L70 = 70000 hrs]

Tested with VERS-01-SK-DW-5.0HE-**-DRY-**-...-ST

	2000K		2700K		3000K		4000K		5500K	
	LM/FT	CRI	LM/FT	CRI	LM/FT	CRI	LM/FT	CRI	LM/FT	CRI
FR	209	93	237	98	247	98	253	97	276	97
PR	203	93	230	98	238	98	245	97	270	97
DF	183	93	208	98	213	98	218	97	242	97

Static Color

[Calculated L70 = 30000 hrs]

Tested with VERS-01-SK-SC-5.0-**-DRY-**-...-ST

	Red		Green		Blue		Amber	
	LM/FT	Wavelength	LM/FT	Wavelength	LM/FT	Wavelength	LM/FT	Wavelength
FR	116	634	554	519	127	467	86	595
PR	111	634	546	519	123	467	80	596
DF	105	634	490	519	114	467	73	596

Warm Dim

[Calculated L70 = 70000 hrs]

Tested with VERS-01-SK-WD-6.0-**-DRY-**-...-ST

	2700K		3000K	
	LM/FT	CRI	LM/FT	CRI
FR	462	97	479	97
PR	445	97	460	97
DF	402	97	417	97

RGB [Calculated L70 = 55000 hrs]

Tested with VERS-01-SK-RGB-6.0-RGB-DRY-**-...-ST

	Red		Green		Blue	
	LM/FT	Wavelength	LM/FT	Wavelength	LM/FT	Wavelength
FR	87	632	175	523	47	471
PR	85	632	172	524	45	470
DF	77	632	154	523	42	469

Temperature Ratings Dependent on LED Strip W/FT

Light Engine (LED Strip)	W/FT	Minimum Limit (°F)	Maximum Limit (°F)
Static White	1.5	-40	138
	3.0	-40	124
	4.0	-40	115
	5.0	-40	108
Static White High-Efficacy	1.5HE	-40	152
	3.0HE	-40	140
	6.0HE	-40	118
	9.0HE	-40	95

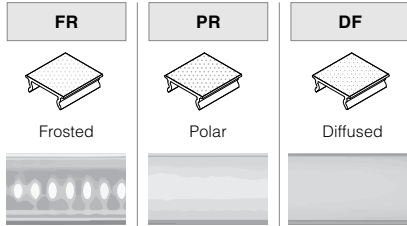
VERS-PROUD-SK (01)

Linear Fixtures - Suspended



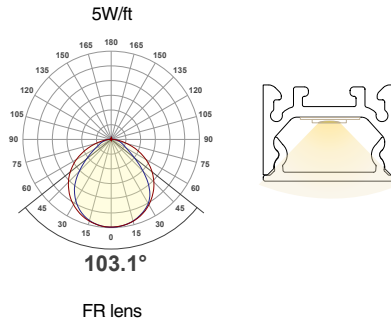
Lens

with LED visibility

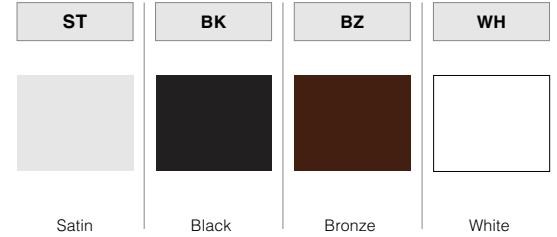


Beam Angle

NOTE: Nominal beam spread shown, beam spread varies based on light engine. For more detailed information, see IES PDF file.

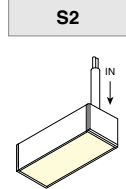


Finish

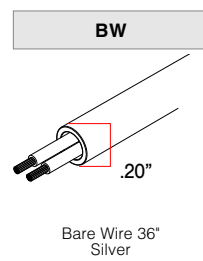


Input/Output

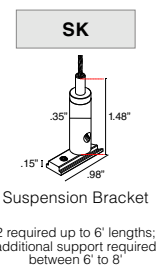
SINGLE (Input only)



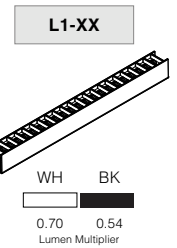
Connector/Wire – In/Out



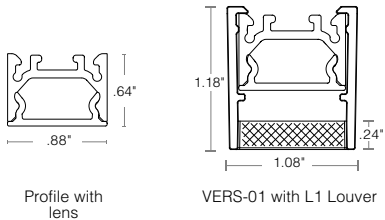
Mounting



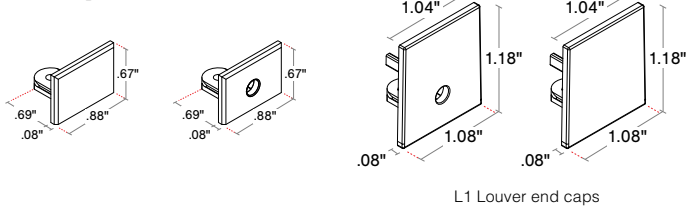
Louver



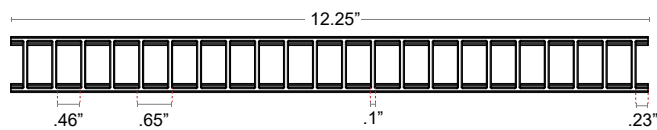
Dimensions



End Caps



Louver

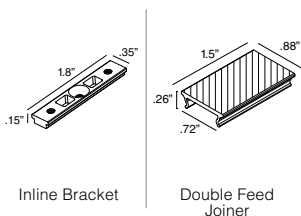


Light Engine Spacing Detail

Add to nominal LED length for fixture length



Joints/Connectors for Continuous Row Mounting



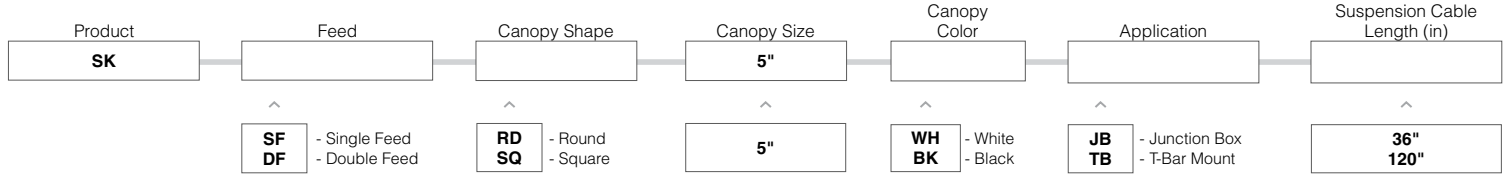
VERS-PROUD-SK (01)

Linear Fixtures - Suspended

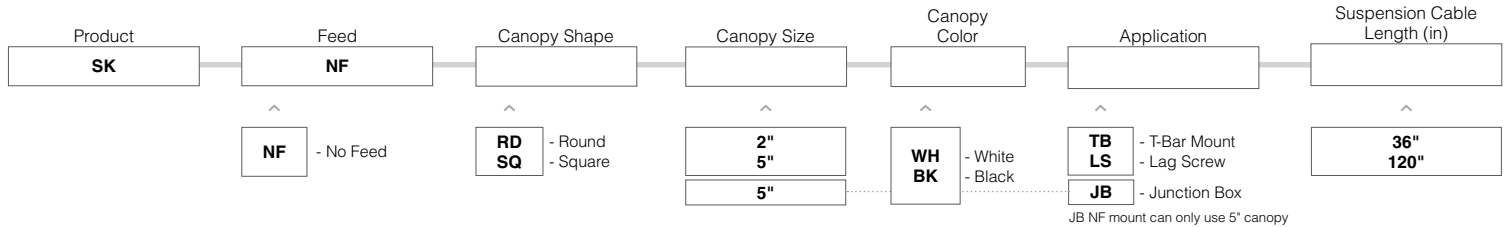


Part Number Builder

POWER FEED SUSPENSION KIT



NON-FEED SUSPENSION KIT



- Shop drawings required for run lengths over 8ft
- If no suspension length provided, 36" is standard
- Suspension cable maximum length: 120"
- Suspension cable is field cuttable
- Suspended fixtures over 6ft require additional suspension points. 8ft lengths will bow 0.25" in middle without additional support.
- Any run length over 8' requires inline brackets
- Consult factory for power over aircraft
- Consult factory for custom color of canopy
- Lag Screw is for mounting into drywall, wood, or other types of finished ceilings for non-feed mounting only

Kit Contents

- 1/16" Steel suspension cable – 36" standard
- Selected canopy
- Cable Gripper
- Cable Coupler

JBOX

- Bracket to mount to junction box (junction box not included)
- Wire strain relief
- Ties for securing electrical cable to suspension cable

T-BAR – feed

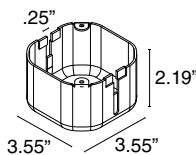
- Includes junction box specifically designed for T-BAR applications
- Bracket to mount to junction box
- Wire strain relief
- Ties for securing electrical wire to suspension cable

T-BAR – non-feed

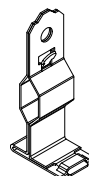
- Bracket to mount to T-BAR (no junction box)

LAG SCREW – non-feed only

- Double ended screw, with a wood thread side and machine thread side
- One piece cable coupler



T-BAR JBOX



T-BAR CLIP



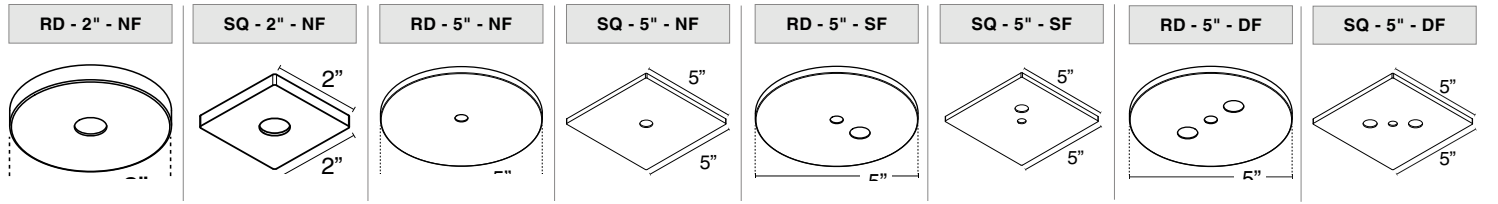
LAG SCREW

VERS-PROUD-SK (01)

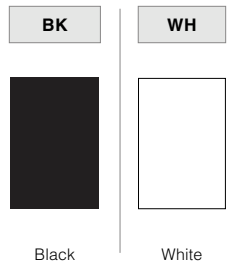
Linear Fixtures - Suspended



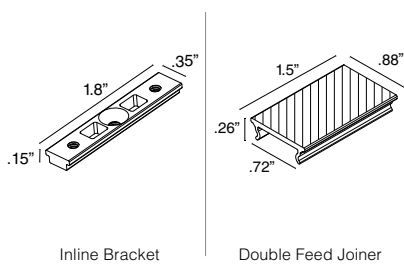
Canopy Options



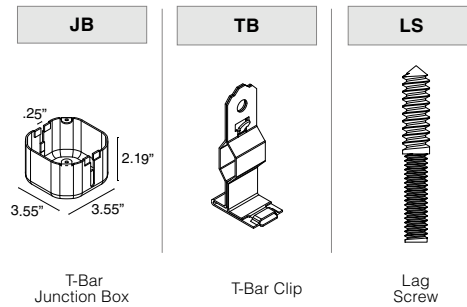
Canopy Finish



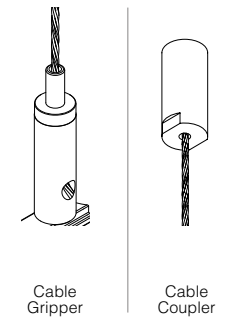
Joints/Connectors



Application

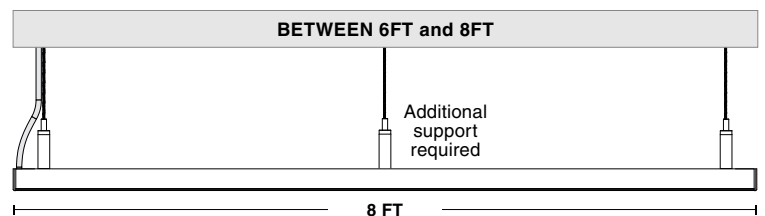
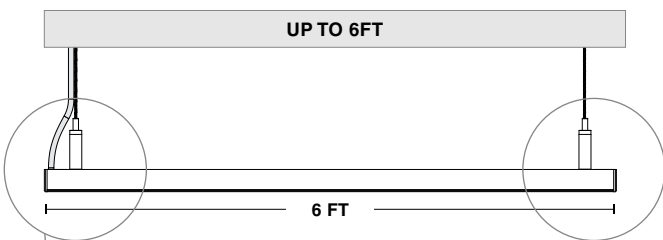


Kit Hardware

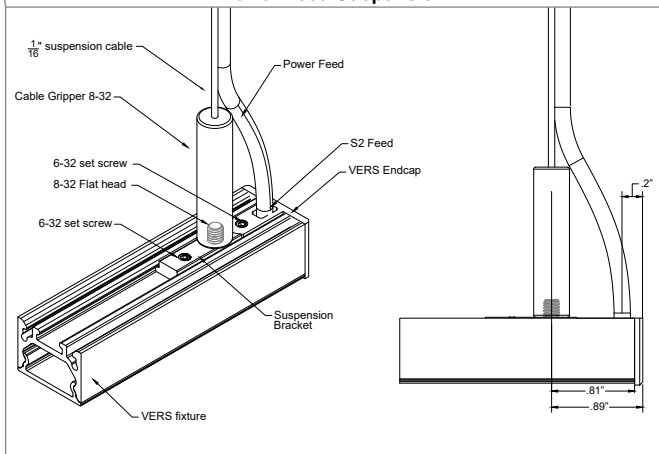


Mounting

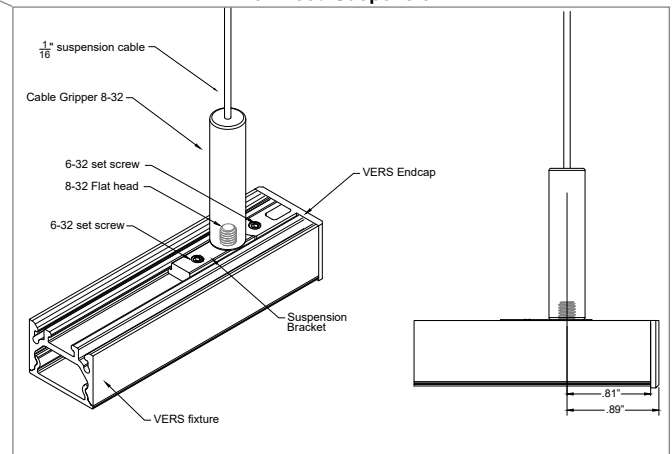
- Maximum single fixture length: 98"
- Suspended fixtures over 6ft require additional suspension points. 8ft lengths will bow 0.25" in middle without additional support.
- Shop drawings required for run lengths over 8ft
- Any double fed fixture will come with double feed joiner and inline bracket



Power Feed Suspension



Non-Feed Suspension

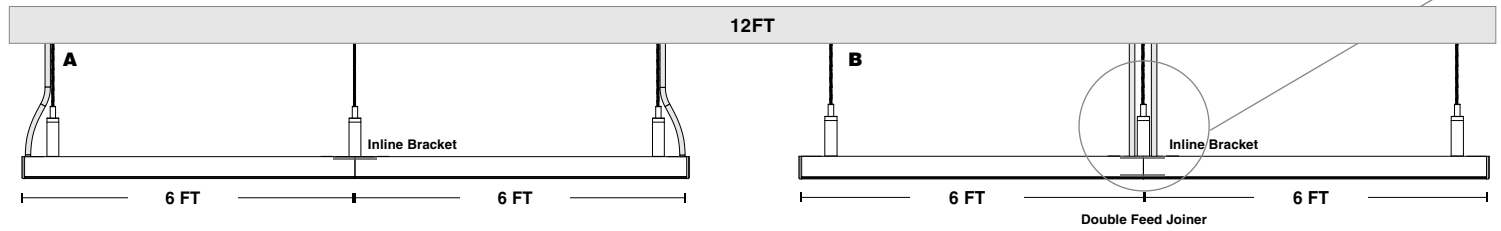
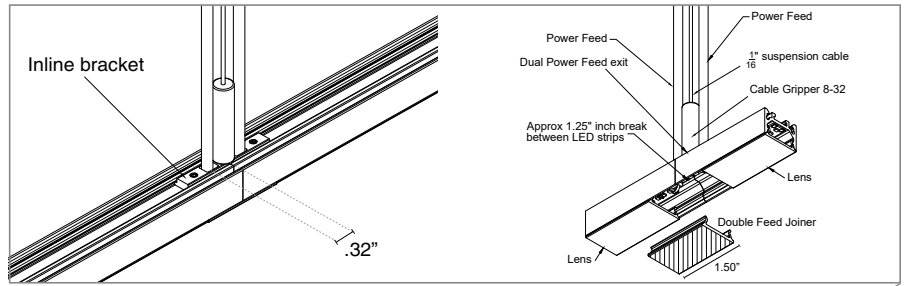


VERS-PROUD-SK (01) Linear Fixtures - Suspended



Mounting

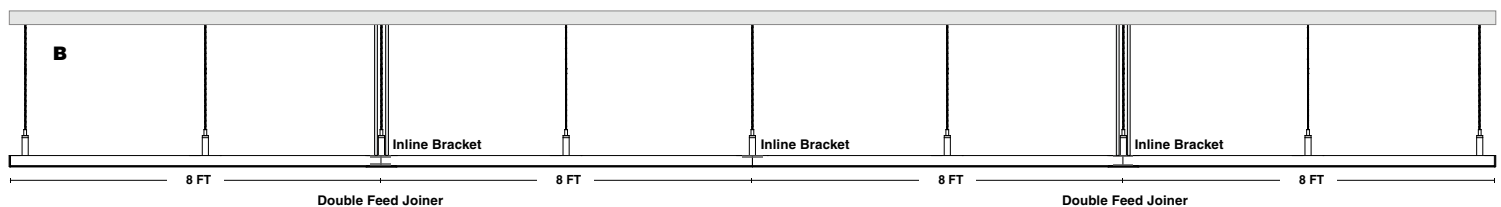
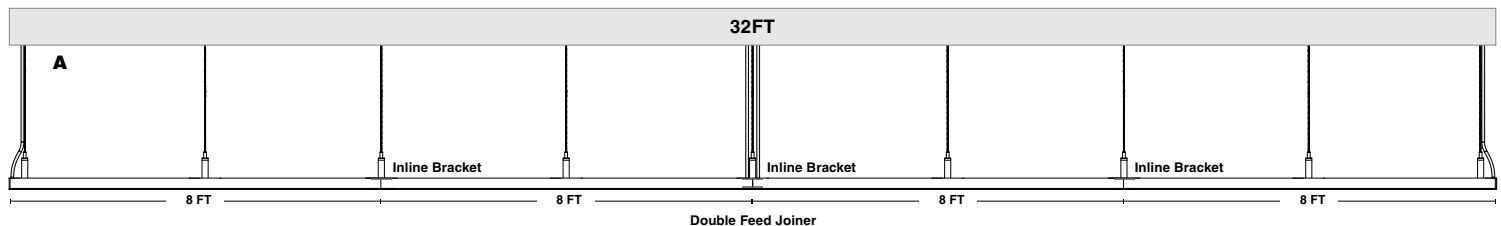
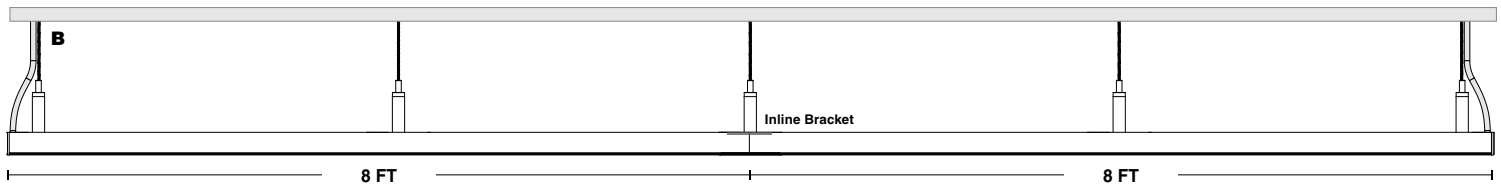
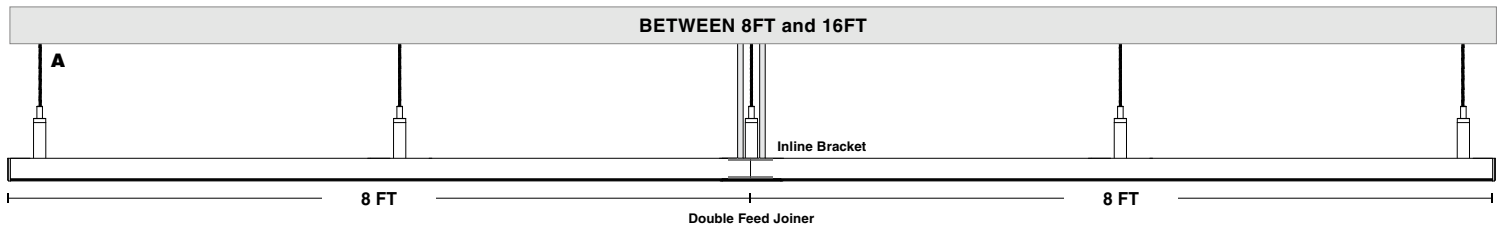
- Maximum single fixture length: 98"
- Suspended fixtures over 6ft require additional suspension points. 8ft lengths will bow 0.25" in middle without additional support.
- Shop drawings required for run lengths over 8ft
- Any double fed fixture will come with double feed joiner and inline bracket



Part number example for a suspended VERS-01 dry rated static white fixture with a diffused lens in 1.5W/ft, 3000K, in a satin finish:

A VERS-01-SK-SW-1.5-30-DRY-DF-N/A-S2-BW-CLS-SV-AWM-SK-ST-144" (1X)
 SK-SF-RD-5"-WH-JB-36" (2X)
 SK-NF-RD-5"-WH-JB-36" (1X)

B VERS-01-SK-SW-1.5-30-DRY-DF-N/A-S2-BW-CLS-SV-AWM-SK-ST-144" (1X)
 SK-DF-RD-5"-WH-JB-36" (1X)
 SK-NF-RD-5"-WH-JB-36" (2X)



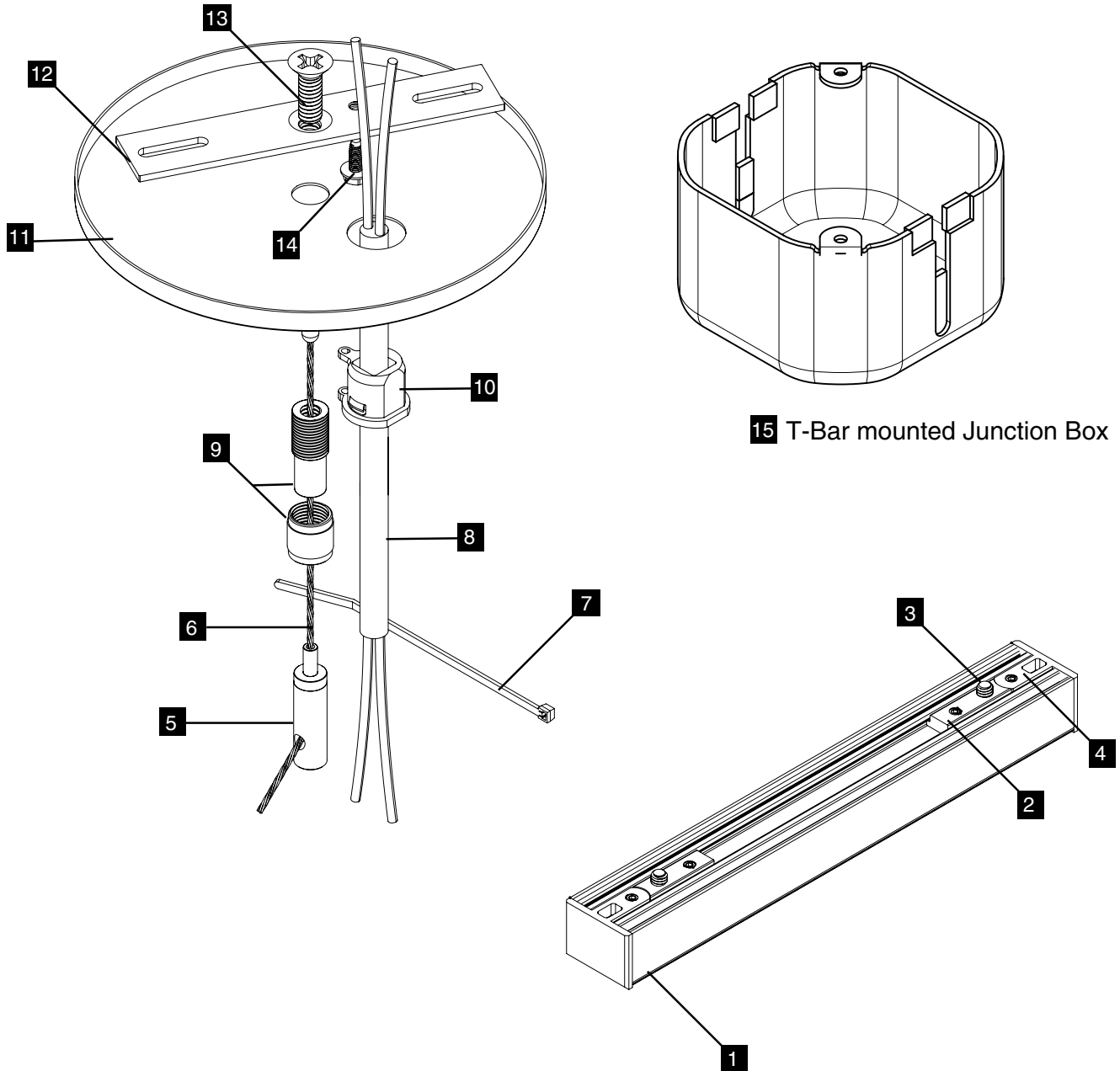
VERS-PROUD-SK (01)

Linear Fixtures - Suspended



SUSPENSION T-BAR POWER FEED ASSEMBLY

SK-SF-RD-5-**-TB-36



VERS SUSPENSION COMPONENTS

1	VERS	2	Suspension Bracket	3	8-32 Screw	4	Endcap	5	Cable Gripper	6	1/16" Cable	7	Tie
8	Lead Wire	9	Cable Coupler	10	Strain Relief	11	Canopy	12	Crossbar	13	1/4"-20	14	Ground Screw

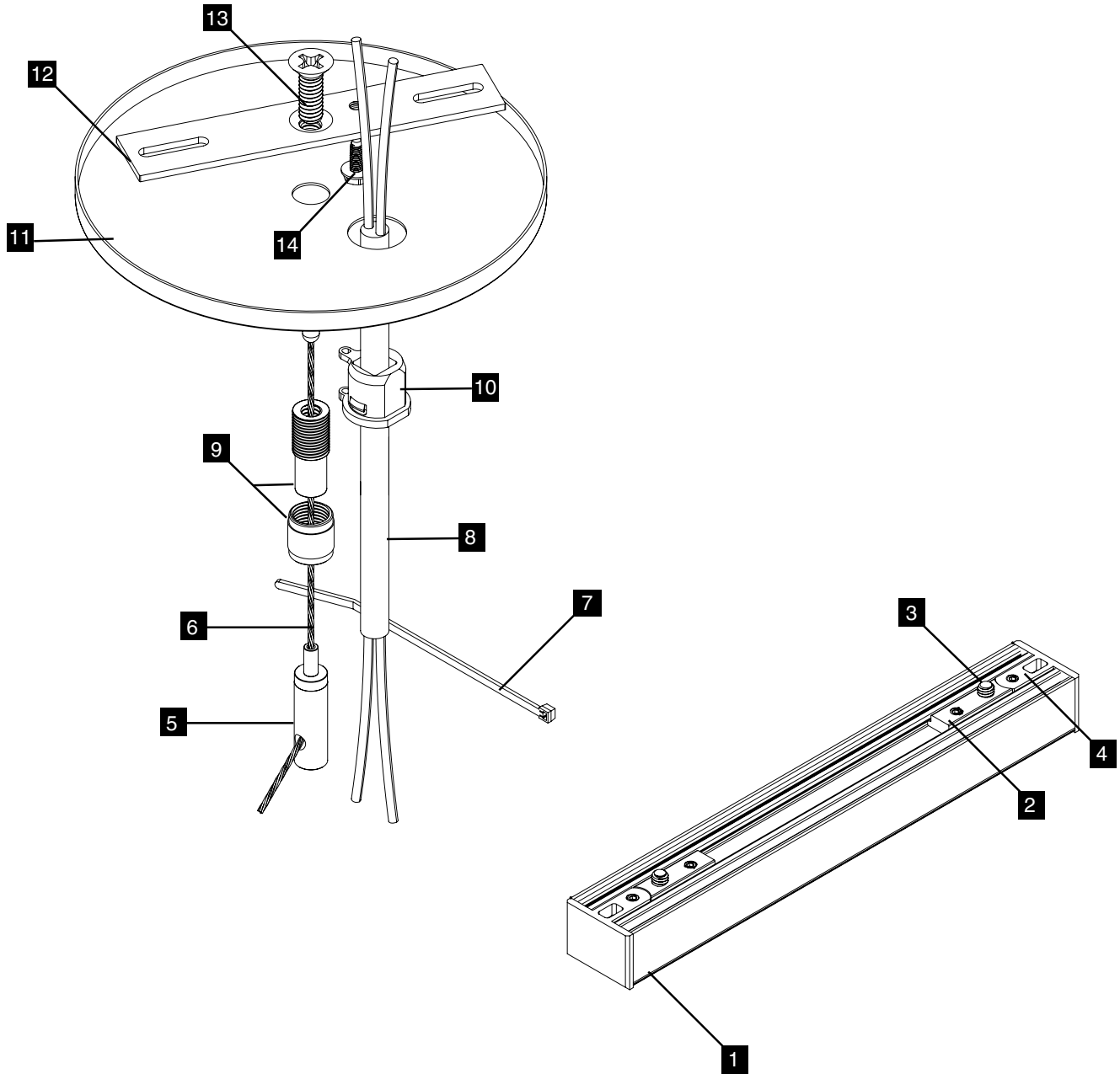
VERS-PROUD-SK (01)

Linear Fixtures - Suspended



SUSPENSION POWER FEED ASSEMBLY - TO MOUNT TO JUNCTION BOX*
SK-SF-RD-5-**-JB-36

*JUNCTION BOX NOT INCLUDED



VERS SUSPENSION COMPONENTS

- | | | | | | | | | | | | | | |
|---|-----------|---|--------------------|----|---------------|----|--------|----|---------------|----|-------------|----|--------------|
| 1 | VERS | 2 | Suspension Bracket | 3 | 8-32 Screw | 4 | Endcap | 5 | Cable Gripper | 6 | 1/16" Cable | 7 | Tie |
| 8 | Lead Wire | 9 | Cable Coupler | 10 | Strain Relief | 11 | Canopy | 12 | Crossbar | 13 | 1/4"-20 | 14 | Ground Screw |

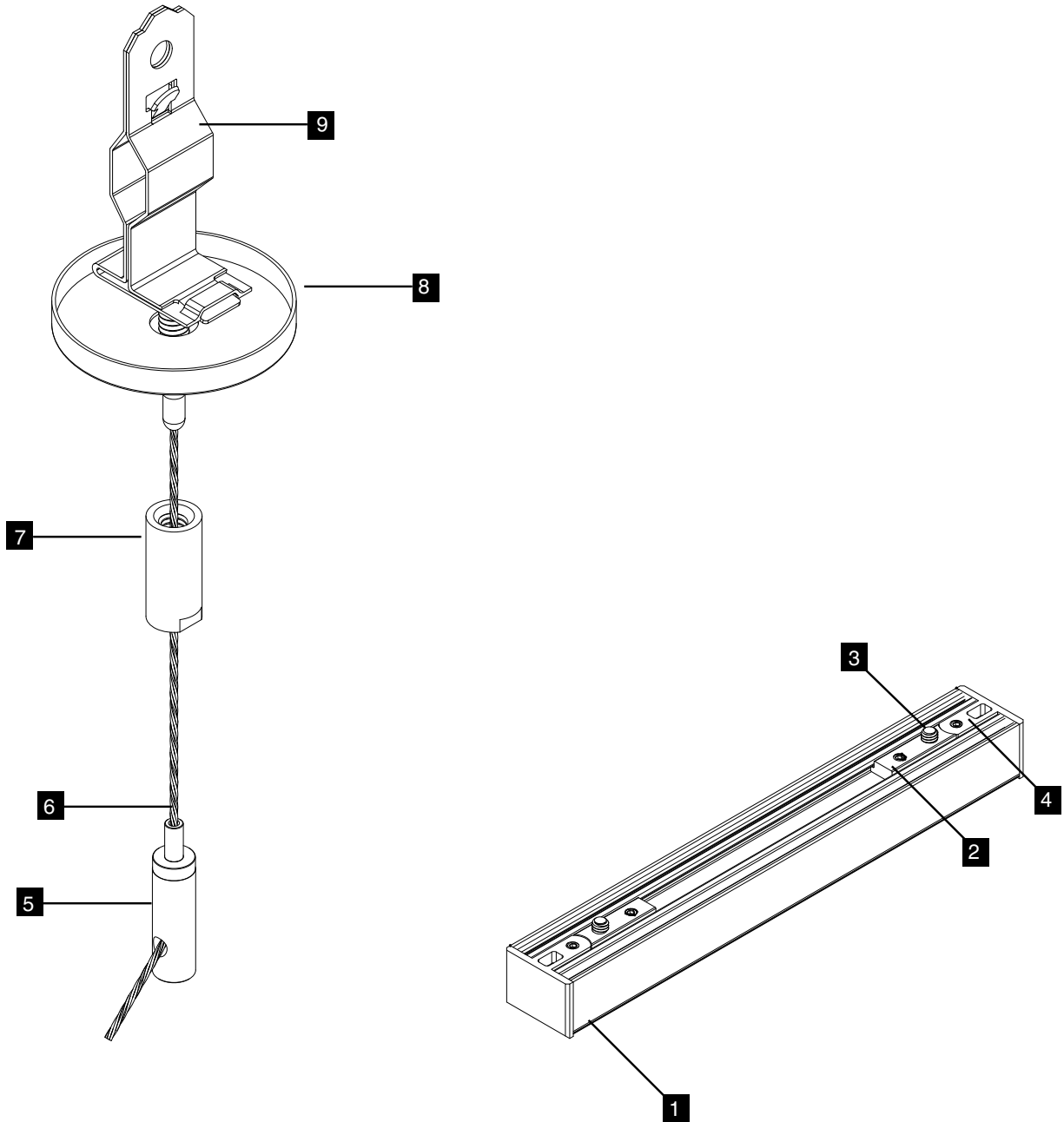
VERS-PROUD-SK (01)

Linear Fixtures - Suspended



SUSPENSION T-BAR NON-FEED ASSEMBLY

SK-NF-RD-2-NF-*-TB-36



NON-POWERED FEED KIT

1 VERS	2 Suspension Bracket	3 8-32 Screw	4 Endcap	5 Cable Gripper
6 1/16" Cable	7 Cable Coupler	8 Canopy	9 T-Bar Clip	

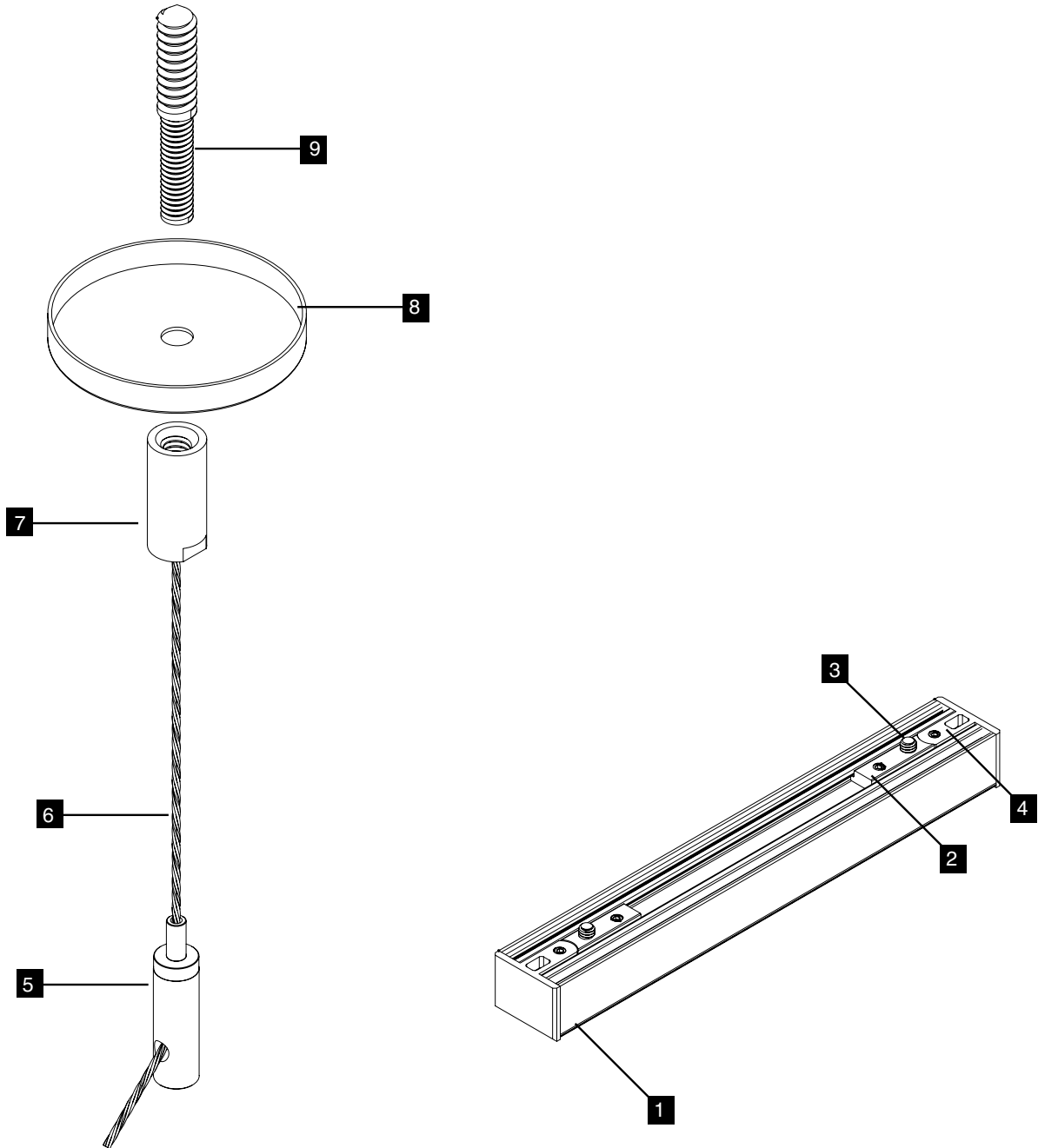
VERS-PROUD-SK (01)

Linear Fixtures - Suspended



LAG SCREW NON-FEED ASSEMBLY

SK-NF-RD-2-NF-*
LS-36



NON-POWERED FEED KIT

1 VERS	2 Suspension Bracket	3 8-32 Screw	4 Endcap	5 Cable Gripper
6 1/16" Cable	7 Cable Coupler	8 Canopy	9 Lag Screw	