

VEVE-FLAT (01) Linear Fixtures



Perfect for applications when the light needs to be flush in a corner, VEVE is now available as a fully assembled fixture. VEVE Flat is available in satin, black, and bronze finishes, with clear, frosted, polar, and diffused lens options. It is suitable for installation in the storage area of a clothes closet when specified with LEDs at 4.0 watts or less per foot.

Part Number Builder

Static White



Product	W/FT	CCT	Rated	Efficiency	Lens	Input/Output	Connector/Wire In	Connector/Wire Out	Wire Color	Wire Type	Mounting	Finish	Length* (in)
VV1SW				STD									
Voltage: 24 VDC													
Typical lumens at 5.0W/ft with CL lens at 3000K: 377 lm/ft	1.5 3.0 4.0 5.0 6.0	20 22 24 27 30 35 40	DRY (IP20)	STD Standard	CL FR PR DF	S1 Single (Closed exit)	BW BRL CON6 CON24	CLS	WH BK N/A	CL2 CL2P N/A	SST MG	ST BK BZ	
	1.5 3.0 4.0 5.0	24 27 30 35 40	DMP (IP54)			P1 Pass through	BW BRL CON6 CON24	BW BRL CON6 CON24					
	1.5 3.0 4.0 5.0	20 22 24 27 30 35 40	WET (IP67)										

*Available in 1" increments for 1.5W/ft - 5.0W/ft and 2" increments for 6.0W/ft. Maximum length of 98.43" not including end caps. Tolerance +0.0"/-0.5. Minimum fixture length 6".

Static White High Efficacy



Product	W/FT	CCT	Rated	Efficiency	Lens	Input/Output	Connector/Wire In	Connector/Wire Out	Wire Color	Wire Type	Mounting	Finish	Length* (in)
VV1SW				STD									
Voltage: 24 VDC													
Typical lumens at 6.0W/ft with CL lens at 3000K: 640 lm/ft	1.5HE 3.0HE 6.0HE	20 22 24 27 30 35 40	DRY (IP20)	STD Standard	CL FR PR DF	S1 Single (Closed exit)	BW BRL CON6 CON24	CLS	WH BK N/A	CL2 CL2P N/A	SST MG	ST BK BZ	
		24 27 30 35 40	DMP (IP54)			P1 Pass through	BW BRL CON6 CON24	BW BRL CON6 CON24					

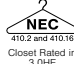



*Available in 2" increments, maximum length of 98.43" not including end caps. Tolerance +0.0"/-0.5. Minimum fixture length 6".

- If selecting **BRL**, select N/A for wire color and type
- **BW** comes in standard 24"- request custom length (Max 120") by writing it in inches next to "BW" in the order code box (ex. BW48)
- **Connector/Wire In or Out** not needed to specify product. Standard configuration is Type S1, Connector/Wire In: BW & Connector/Wire Out: CLS
- Specify **CL2P** for plenum rated wire
- **One Step, One Bin** based on 5W/ft




- 5 year warranty
- Field modifications void warranty
- Data subject to change, all data has +/- 5% tolerance
- Compatible for use with Q-Tran power supplies
- Suitable for installation in the storage area of a clothes closet when specified with LEDs at 4.0 watts or less per foot

VEVE-FLAT (01) Linear Fixtures






Static White High Efficacy Plus    

Product	W/FT	CCT	Rated	Efficiency	Lens	Input/Output	Connector/Wire In	Connector/Wire Out	Wire Color	Wire Type	Mounting	Finish	Length* (in)
VV1SW			DRY	STD									
Voltage: 24 VDC	3.0HE+ 6.0HE+	27 30 35 40	DRY (IP20)	STD Standard	CL FR PR DF	S1 <small>Single (Closed exit)</small>	BW BRL CON6 CON24	CLS	WH BK N/A	CL2 CL2P N/A	SST MG	ST BK BZ	Max continuous length: 3.0W - 196" 6.0W - 118"
Typical lumens at 6.0W/ft with CL lens at 3000K: 901 lm/ft						P1 <small>Pass through</small>	BW BRL CON6 CON24	BW BRL CON6 CON24					

Static White Individually Addressable   

Product	W/FT	CCT	Rated	Efficiency	Lens	Input/Output	Connector/Wire In	Connector/Wire Out	Wire Color	Wire Type	Mounting	Finish	Length* (in)
VV1IA	5.0		DRY	STD									
Voltage: 24 VDC	5.0	27 30 35 40	DRY (IP20)	STD Standard	CL FR PR DF	S1 <small>Single (Closed exit)</small>	BW CON6 CON24	CLS	WH BK	CL2 CL2P	SST MG	ST BK BZ	*Available in 4" increments, maximum length of 98.43" not including end caps. Tolerance +0.0"/-0.5. Minimum fixture length 6".
						P1 <small>Pass through</small>	BW CON6 CON24	BW CON6 CON24					

Warm Dim   

Product	W/FT	CCT	Rated	Efficiency	Lens	Input/Output	Connector/Wire In	Connector/Wire Out	Wire Color	Wire Type	Mounting	Finish	Length* (in)
VV1WD	6.0		DRY	STD									
Voltage: 24 VDC	6.0	19/27 19/30	DRY (IP20)	STD Standard	CL FR PR DF	S1 <small>Single (Closed exit)</small>	BW BRL CON6 CON24	CLS	WH BK N/A	CL2 CL2P N/A	SST MG	ST BK BZ	*Available in 2" increments, maximum length of 98.43" not including end caps. Tolerance +0.0"/-0.5. Minimum fixture length 6".
						P1 <small>Pass through</small>	BW BRL CON6 CON24	BW BRL CON6 CON24					

- If selecting **BRL**, select N/A for wire color and type
- **BW** comes in standard 24" - request custom length (Max 120") by writing it in inches next to "BW" in the order code box (ex. BW48)
- **Connector/Wire In or Out** not needed to specify product. Standard configuration is Type S1, Connector/Wire In: BW & Connector/Wire Out: CLS
- Specify **CL2P** for plenum rated wire

- 5 year warranty
- Field modifications void warranty
- Data subject to change, all data has +/- 5% tolerance
- Compatible for use with Q-Tran power supplies
- Suitable for installation in the storage area of a clothes closet when specified with LEDs at 4.0 watts or less per foot

VEVE-FLAT (01) Linear Fixtures



Dynamic White



Product	W/FT	CCT	Rated	Efficiency	Lens	Input/Output	Connector/Wire In	Connector/Wire Out	Wire Color	Wire Type	Mounting	Finish	Length* (in)
VV1DW	6.0			STD									
Voltage: 24 VDC	6.0	20/27 20/30	DRY (IP20)	STD Standard	CL FR PR DF	S1 Single (Closed exit)	BW CON6 CON24	CLS	WH BK	CL2 CL2P	SST MG	ST BK BZ	
Typical lumens at 6.0W/ft with CL lens at 3000K: 217 lm/ft		24/30	DMP (IP54)			P1 Pass through	BW CON6 CON24	BW CON6 CON24					

*Available in 2" increments, maximum length of 98.43" not including end caps. Tolerance +0.0"/-0.5. Minimum fixture length 6".

Dynamic White High Efficacy



Product	W/FT	CCT	Rated	Efficiency	Lens	Input/Output	Connector/Wire In	Connector/Wire Out	Wire Color	Wire Type	Mounting	Finish	Length* (in)
VV1DW				STD									
Voltage: 24 VDC	3.0HE 5.0HE	20/27 20/30 27/40 27/55	DRY (IP20)	STD Standard	CL FR PR DF	S1 Single (Closed exit)	BW CON6 CON24	CLS	WH BK	CL2 CL2P	SST MG	ST BK BZ	
Typical lumens at 5.0W/ft with CL lens at 3000K: 233 lm/ft		24/30 27/40	DMP (IP54)			P1 Pass through	BW CON6 CON24	BW CON6 CON24					

*Available in 2" increments, maximum length of 98.43" not including end caps. Tolerance +0.0"/-0.5. Minimum fixture length 6".

Static Color



Product	W/FT	CCT	Rated	Efficiency	Lens	Input/Output	Connector/Wire In	Connector/Wire Out	Wire Color	Wire Type	Mounting	Finish	Length* (in)
VV1SC	5.0			STD									
Voltage: 24 VDC	5.0	GR BL RD AB	DRY (IP20)	STD Standard	CL FR PR DF	S1 Single (Closed exit)	BW BRL CON6 CON24	CLS	WH BK N/A	CL2 CL2P N/A	SST MG	ST BK BZ	
Typical lumens at 5.0W/ft with CL lens in green: 467 lm/ft			DMP (IP54)			P1 Pass through	BW BRL CON6 CON24	BW BRL CON6 CON24					

*Available in 2" increments, maximum length of 98.43" not including end caps. Tolerance +0.0"/-0.5. Minimum fixture length 6".

- If selecting **BRL**, select N/A for wire color and type
- **BW** comes in standard 24"- request custom length (Max 120") by writing it in inches next to "BW" in the order code box (ex. BW48)
- **Connector/Wire In or Out** not needed to specify product. Standard configuration is Type S1, Connector/Wire In: BW & Connector/Wire Out: CLS
- Specify **CL2P** for plenum rated wire

- 5 year warranty
- Field modifications void warranty
- Data subject to change, all data has +/- 5% tolerance
- Compatible for use with Q-Tran power supplies
- Florida Fish and Wildlife Conservation Commission (FWC) rated Strips: DRY and WET rated, Red and Amber
- Suitable for installation in the storage area of a clothes closet when specified with LEDs at 4.0 watts or less per foot

VEVE-FLAT (01) Linear Fixtures



RGB **5 YEAR WARRANTY**

Product	W/FT	CCT	Rated	Efficiency	Lens	Input/Output	Connector/Wire In	Connector/Wire Out	Wire Color	Wire Type	Mounting	Finish	Length* (in)
VV1RGB	6.0	RGB		STD									
Voltage: 24 VDC	6.0	RGB	DRY (IP20)	STD Standard	CL FR PR DF	S1 Single (Closed exit)	BW CON6 CON24	CLS	WH BK	CL2 CL2P	SST MG	ST BK BZ	
Typical lumens at 6.0W/ft with CL lens in green: 168 lm/ft			DMP (IP54)			P1 Pass through	BW CON6 CON24	BW CON6 CON24					

*Available in 2" increments, maximum length of 98.43" not including end caps. Tolerance +0.0"/-0.5. Minimum fixture length 6".

RGBW **5 YEAR WARRANTY**

Product	W/FT	CCT	Rated	Efficiency	Lens	Input/Output	Connector/Wire In	Connector/Wire Out	Wire Color	Wire Type	Mounting	Finish	Length* (in)
VV1RGBW	6.0			STD									
Voltage: 24 VDC	6.0	27 30	DRY (IP20)	STD Standard	CL FR PR DF	S1 Single (Closed exit)	BW CON6 CON24	CLS	WH BK	CL2 CL2P	SST MG	ST BK BZ	
Typical lumens at 6.0W/ft with CL lens at 3000K: 82 lm/ft			DMP (IP54)			P1 Pass through	BW CON6 CON24	BW CON6 CON24					

*Available in 4" increments, maximum length of 98.43" not including end caps. Tolerance +0.0"/-0.5. Minimum fixture length 6".

RGBW High Efficacy **5 YEAR WARRANTY**

Product	W/FT	CCT	Rated	Efficiency	Lens	Input/Output	Connector/Wire In	Connector/Wire Out	Wire Color	Wire Type	Mounting	Finish	Length* (in)
VV1RGBW	4.0HE			STD									
Voltage: 24 VDC	4.0HE	27 30 35 40	DRY (IP20)	STD Standard	CL FR PR DF	S1 Single (Closed exit)	BW CON6 CON24	CLS	WH BK	CL2 CL2P	SST MG	ST BK BZ	
Typical lumens at 4.0W/ft with CL lens at 3000K: 78 lm/ft			DMP (IP54)			P1 Pass through	BW CON6 CON24	BW CON6 CON24					

*Available in 2" increments, maximum length of 98.43" not including end caps. Tolerance +0.0"/-0.5. Minimum fixture length 6".

- **BW** comes in standard 24"- request custom length (Max 120") by writing it in inches next to "BW" in the order code box (ex. BW48)
- **Connector/Wire In or Out** not needed to specify product. Standard configuration is Type S1, Connector/Wire In: BW & Connector/Wire Out: CLS
- Specify **CL2P** for plenum rated wire

- 5 year warranty
- Field modifications void warranty
- Data subject to change, all data has +/- 5% tolerance
- Compatible for use with Q-Tran power supplies

VEVE-FLAT (01) Linear Fixtures



Technical Information

Static White [Calculated L70 = 70000 hrs]
Tested with VV1SW-**-30-DRY-STD

	1.5W/FT	3.0W/FT	4.0W/FT	5.0W/FT	6.0W/FT
	LM/FT	LM/FT	LM/FT	LM/FT	LM/FT
CL	143	249	310	377	437
FR	141	246	306	372	431
PR	131	228	283	345	400
DF	110	192	239	291	337

Static White High Efficacy

[Calculated L70 = 70000 hrs]
Tested with VV1SW-**-30-DRY-STD

	1.5HEW/FT	3.0HEW/FT	6.0HEW/FT
	LM/FT	LM/FT	LM/FT
CL	184	338	640
FR	182	334	632
PR	169	309	586
DF	142	260	493

Static White High Efficacy Plus

[Calculated L70 = 50000 hrs]
Tested with VV1SW-**-30-DRY-STD

	3.0HE+W/FT	6.0HE+W/FT
	LM/FT	LM/FT
CL	487	901
FR	481	890
PR	446	825
DF	376	694

Dynamic White [Calculated L70 = 70000 hrs]
Tested with VV1DW-6.0-**-DRY-STD

	3000K
	LM/FT
CL	217
FR	214
PR	198
DF	167

Dynamic White High Efficacy [Calculated L70 = 70000 hrs]
Tested with VV1DW-**-30-DRY-STD

	3.0W/FT	5.0W/FT
	LM/FT	LM/FT
CL	148	233
FR	146	230
PR	135	214
DF	114	180

Static Color [Calculated L70 = 30000 hrs]
Tested with VV1SC-5.0-**-DRY-STD

	Red	Green	Blue	Amber
	LM/FT	LM/FT	LM/FT	LM/FT
CL	86	467	121	78
FR	85	462	120	77
PR	79	428	111	71
DF	67	360	93	60

RGB [Calculated L70 = 55000 hrs]
Tested with VV1RGB-6.0-RGB-DRY-STD

	Red	Green	Blue
	LM/FT	LM/FT	LM/FT
CL	83	168	47
FR	82	166	47
PR	76	154	43
DF	64	129	36

RGBW [Calculated L70 = 70000 hrs]
Tested with VV1RGBW-6.0-30-DRY-STD

	Red	Green	Blue	3000K
	LM/FT	LM/FT	LM/FT	LM/FT
CL	31	103	27	82
FR	30	102	26	81
PR	28	94	24	75
DF	24	79	20	63

RGBW High Efficacy [Calculated L70 = 70000 hrs]
Tested with VV1RGBW-4.0HE-30-DRY-STD

	Red	Green	Blue	3000K
	LM/FT	LM/FT	LM/FT	LM/FT
CL	33	127	27	78
FR	33	125	27	77
PR	30	116	25	71
DF	26	98	21	60

Temperature Ratings Dependent on LED Strip W/FT

Light Engine (LED Strip)	W/FT	Minimum Limit (°F)	Maximum Limit (°F)
Static White	1.5	-40	138
	3.0	-40	124
	4.0	-40	115
	5.0	-40	108
Static White High-Efficacy	1.5HE	-40	152
	3.0HE	-40	140
	6.0HE	-40	118

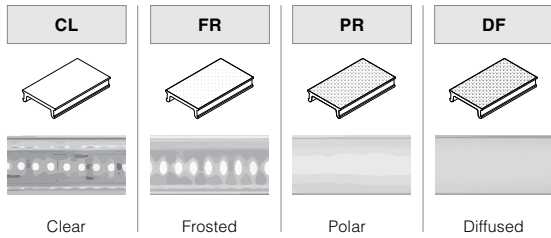
VEVE-FLAT (01)

Linear Fixtures



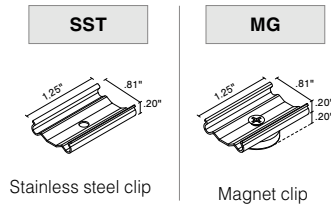
Lens

with LED visibility



Mounting

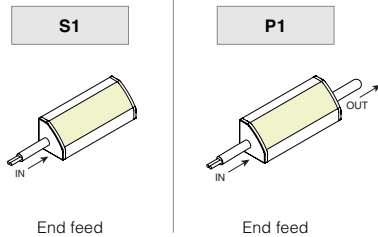
2 clips provided for 4' or less; 4 clips provided for greater than 4'



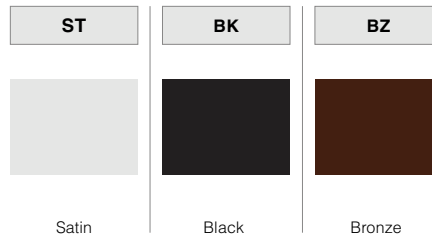
Type

SINGLE (Input only)

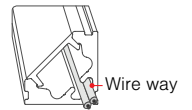
PASS THROUGH (Input/Output)



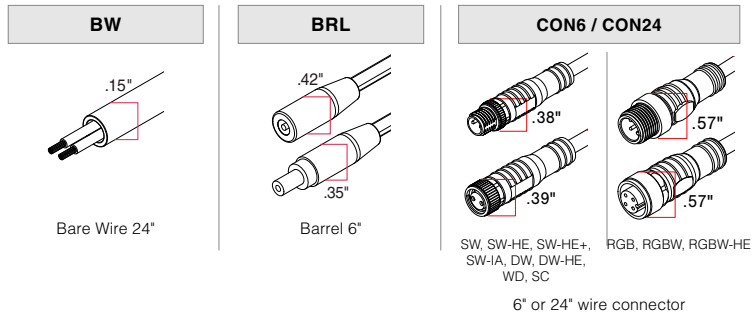
Finish



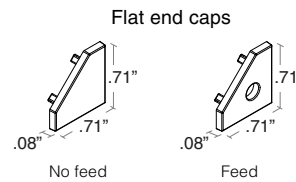
Wire Way



Connector/Wire – In/Out



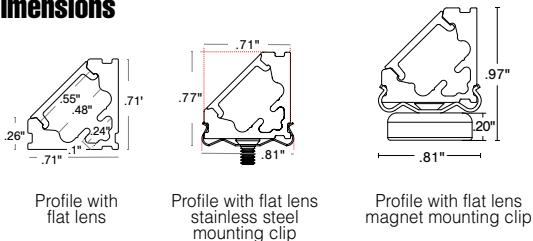
End Caps



Cut Off



Dimensions



Length (in)

Add to nominal LED length for fixture length

