

Quick-Line

2" Pendant Direct/Indirect



Features

Quick-Line 2" delivers your design scenario seamlessly, shipping in as little as 5 business days, everytime. Streamlined and flexible, these architectural LED pendants provide the freedom to create truly dynamic spaces in a fraction of the time. The **Quick-Line** family delivers on its promises by the power of disciplined design.

Product Overview

Type:	Direct/Indirect
Power Level:	Low Power 8W/ft High Power 16W/ft
Max Lumen Output:	3365 lm, 841 lm/ft (Direct); 3700 lm, 925 lm/ft (Indirect)
Color Temp:	3000K, 3500K, 4000K
CRI:	80 typ.
Lens(Distribution):	Performance Lens (Direct), Batwing (Indirect)
Dimming:	0-10V, 10% dimming 2 circuit, independent switching
Construction:	Aluminum Extrusion
Weight:	2.25 lb/ft



PROJECT:

TYPE:



Fixture Summary

Power Level - Lumen Output

	Total Watts Per Foot	Direct		Indirect		Total	
		Lumens	Lm/ft	Lumens	Lm/ft	Lumens	Lm/ft
Low	8	1905	476	2026	507	3931	983
High	16	3365	841	3700	925	7065	1766

Lumen Output based on 4', 3500K-80 fixture.

Individual Run Sections: 4', 6', 8'

Please use a combination of 4', 6', 8' standard lengths to create your desired run lengths.

Electrical Data

Wattage Per Foot		4'		6'		8'	
		System Watts	Amps	System Watts	Amps	System Watts	Amps
LOW 8W	120V	28.6	0.24	44.2	0.36	61.4	0.50
	277V	29	0.11	44	0.164	60.4	0.22
HIGH 16W	120V	58.7	0.48	92.8	0.76	121.6	1.00
	277V	58.1	0.21	91.8	0.34	120	0.44

Electronic multi-volt (120V-277V), constant current LED driver



PROJECT:

TYPE:

Ordering Reference

All fixtures come standard with the following:

- Performance Lens (Direct), Batwing (Indirect) • High Reflectance White or Black Textured Finish
- 2 Circuit (9 Conductor) • 120/277V • 0-10V, 10% Dimming

STEP 1 Choose Fixture: Select Power Level, Color Temp, Length & Finish

- **Select Power Level & Color Temperature:**

Power Level: **Low Power** – 8W/ft; 983 Lm/ft (4W Direct, 4W Indirect; 3931 Lm)
High Power – 16W/ft; 1766 Lm/ft (8W Direct, 8W Indirect; 7065 Lm)

Color Temp: **30** – 3000K-80 (CRI)
35 – 3500K-80 (CRI)
40 – 4000K-80 (CRI)

- **Select Length(s):** 4', 6', or 8'

All lengths are pre-wired and supplied with 1 suspension gripper, alignment pins, light block shield, and Catch & Latch. End Caps ordered separately.

STEP 2 Kits: Required for Assembly (see page 5 for drawings)

- **Select Appropriate Kits Needed to Complete Run** (see page 5 for complete kit details)

All Kits are packed individually in a labeled poly bag.

End Cap Kit: (needed for every run or individual section)

QLP2-EC: One Kit is required for every run. Consists of: 2 End Caps (white), cable gripper & instruction sheet. (Cable gripper is used with the first feed kit). **QLP2-ECBT** (black texture) optional.

Power Feed & Cable Kit:

QLK-FF210: Power Feed kits consist of 2 circuit (9 conductor) 10' power cord with female quick-connector, aircraft cable and 5" white canopy. Requires at least 1 for each run or individual fixture. **QLK-FF210BT** (black canopy/cord) optional. Order **QLK-FF220** for 20' cord/cable. **QLK-FF220BT** (black canopy/cord) optional.

Non-Feed Cable Kits:

QLK-SC10: One is required for every 4', 6' or 8' length. Consists of 10' aircraft cable, 5" white canopy, and hardware. **QLK-SC10BT** (black canopy) optional. Order **QLK-SC20** for 20' cable. **QLK-SC20BT** (black canopy) optional.

STEP 3 Accessories: Optional (see page 5 for drawings)

Slotted J-Box Accessory:

QLP-SJB: For installation directly over GRID runners in ceiling system. T slotted J-Box works with both 9/16" and 15/16" GRID ceiling.

Alternate Side Power Feed & Cable Kit:

QLK-MF210: Alternate Side Power Feed kits consist of 2 circuit (9 conductor) 10' power cord with male quick-connector, aircraft cable and 5" white canopy. For use if run of fixtures requires second circuit to be fed from opposite end of run. **QLK-MF210BT** (black canopy/cord) optional. Order **QLK-MF220** for 20' cord/cable. **QLK-MF220BT** (black canopy/cord) optional.

⚠ **Warning:** Through wiring must be disconnected and capped to separate the 2 circuits before power is supplied.

Emergency Circuits:

Emergency Circuits are easily added to any multi-length run at the beginning or end of run. Replace a Support Cable (**QLK-SC10/QLK-SC20**) with **QLK-MF210/QLK-MF220** (Alt. side power feed) to feed from the right end or a **QLK-FF210/QLK-FF220** to feed from left end. See drawing on page 9.

QLK-SC10BT/QLK-SC20BT & QLK-MF210BT/QLK-MF220BT & QLK-FF210BT/QLK-FF220BT (black canopy/cord) optional.

⚠ **Warning:** Use supplied black plug to Dead End last length before adding second feed.

Additional Circuits:

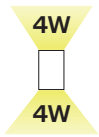
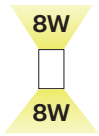
Circuits can be added to any multi-length run for Zonal Lighting, or for remote sensor control.

⚠ **Warning:** Use dead end caps on Quick Connects to separate zones prior to turning power on to prevent injury.

PROJECT:

TYPE:

STEP 1 Choose Fixture: Select Power Level, Color Temp, Length & Finish

Power Level	Color Temp-CRI	Length	Ordering Part #	
			White Finish	Black Finish
Low Power (8 W/ft; 983 Lm/ft) 	30 (3000K-80)	4'	QLP2-061	QLP2-064
		6'	QLP2-062	QLP2-065
		8'	QLP2-063	QLP2-066
	35 (3500K-80)	4'	QLP2-067	QLP2-070
		6'	QLP2-068	QLP2-071
		8'	QLP2-069	QLP2-072
	40 (4000K-80)	4'	QLP2-073	QLP2-076
		6'	QLP2-074	QLP2-077
		8'	QLP2-075	QLP2-078
High Power (16W/ft; 1766 Lm/ft) 	30 (3000K-80)	4'	QLP2-079	QLP2-082
		6'	QLP2-080	QLP2-083
		8'	QLP2-081	QLP2-084
	35 (3500K-80)	4'	QLP2-085	QLP2-088
		6'	QLP2-086	QLP2-089
		8'	QLP2-087	QLP2-090
	40 (4000K-80)	4'	QLP2-091	QLP2-094
		6'	QLP2-092	QLP2-095
		8'	QLP2-093	QLP2-096

STEP 2 Kits: Required for Assembly (see page 5 for drawings)

Kit	Description	Ordering Part #	
		White Finish	Black Finish
End Cap Kit:			
End Cap	End Cap Kit for Direct & Direct/Indirect fixtures (1 per run)	QLP2-EC	QLP2-ECBT
Feed Kits:			
Power Feed	10' power cable, 5" canopy, 2 circuit (9 conductor) power cord	QLK-FF210	QLK-FF210BT
& Cable Kit	20' power cable, 5" canopy, 2 circuit (9 conductor) power cord	QLK-FF220	QLK-FF220BT
Non-Feed Cable Kit:			
Support Cable	10' aircraft cable, 5" canopy & hardware	QLK-SC10	QLK-SC10BT
	20' aircraft cable, 5" canopy & hardware	QLK-SC20	QLK-SC20BT

STEP 3 Accessories: Optional (see page 5 for drawings)

Accessory	Description	Ordering Part #	
		White Finish	Black Finish
Optional GRID J-Box Kit:			
Slotted J-Box	Slotted J-Box (needed for feed & non-feed kits over GRID runner)	QLP-SJB	QLP-SJB
Optional Feed Kit:			
Alternate Side Power	10' power cable, 5" canopy, 2 circuit (9 conductor) power cord	QLK-MF210	QLK-MF210BT
& Cable Kit	20' power cable, 5" canopy, 2 circuit (9 conductor) power cord	QLK-MF220	QLK-MF220BT

For Emergency Circuits/Additional Circuits: Order either a Power Feed & Cable Kit (**QLK-FF210**) or an Alternate Side Power Feed & Cable Kit (**QLK-MF210**) to replace the Non-Feed Support Cable Kit (**QLK-SC10/QLK-SC20**) anywhere along the run. See page 9 for more detail.

Note: There are no product variations available from standard product offering for this product line.

Quick-Line

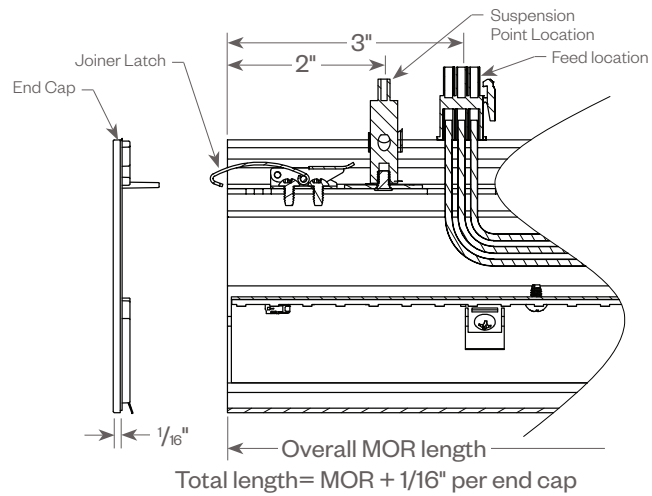
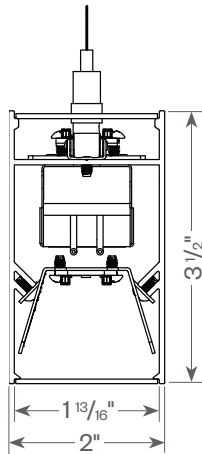
2" Pendant Direct/Indirect



PROJECT:

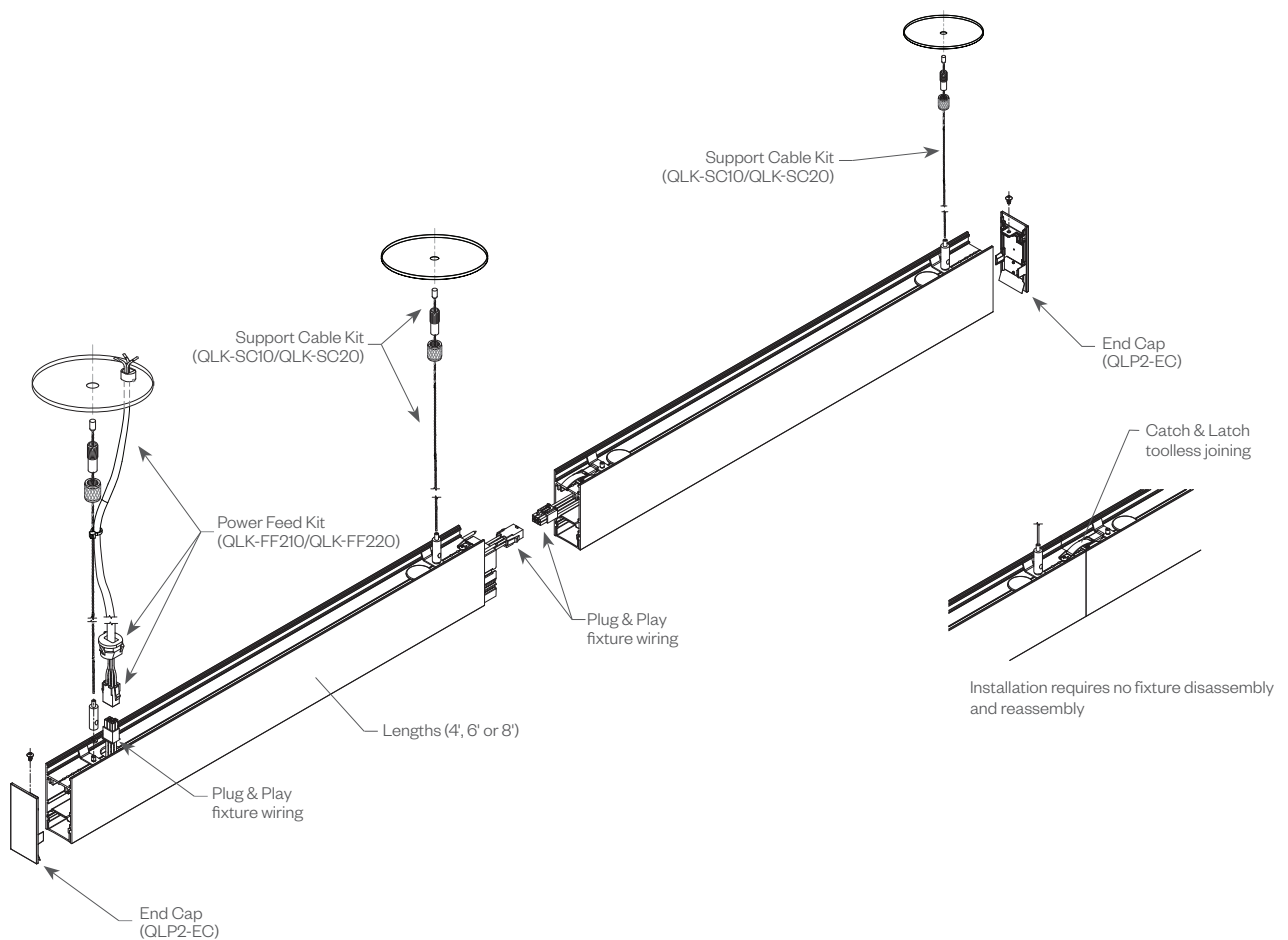
TYPE:

Quick-Line 2" Direct/Indirect



QUICK CONNECT ALIGNMENT

Plug together Quick connects. Line up the two housings by using the alignment pins & splines. Secure them together by using the Catch & Latch system on the top of the extrusion. Finish run or individual section by securing end caps.



Quick-Line

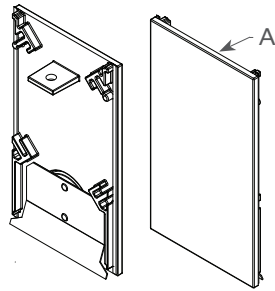
2" Pendant Direct/Indirect



PROJECT:

TYPE:

Quick-Line Kits:



End Cap Kit (QLP2-EC)

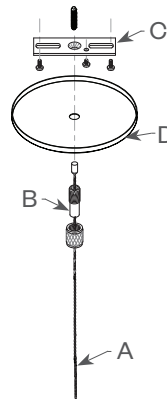
Use: On all single and multiple runs. Field installed on the first and last fixture end of the run.

Consisting of:

- A - (2) End Caps with locking screws
- B - (1) Cable Gripper*
- (1) Instruction Sheet

B Order **QLP2-ECBT** for black texture finish.

* **Note:** One Gripper is factory installed on right side of length for use with **QLK-SC10/QLK-SC20** support cable kit. 2nd Gripper is supplied with End Cap Kit and is to be used with beginning feed kit (**QLK-FF210/QLK-FF220**).



Non-Feed Cable Kit (QLK-SC10)

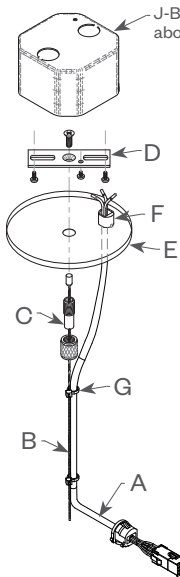
Use: Support Cable Kit, 10' long, non-feed. 1 used on every length.

Consisting of:

- A - (1) 10' cable
- B - (1) Cable Coupler (ferruled for j-box access)
- C - Cross bar and hardware
- D - (1) 5" White steel Canopy (single hole in center)
- (1) Instruction sheet

Order **QLK-SC20** for 20' cable.

Order **QLK-SC10BT**, **QLK-SC20BT** for black canopy finish.



Power Feed & Cable Kit (QLK-FF210)

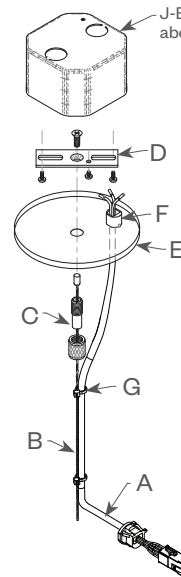
Use: For pendant, starting and typically only feed required. Power Feed plug and black dead end plug provided for safety and quick installation. Usually just 1 used on every run.

Consisting of:

- A - (1) 10' 9 conductor white drop cord, female quick connect plug with strain relief
- B - (1) 10' cable
- C - (1) Cable Coupler (ferruled for j-box access)
- D - Cross bar and hardware
- E - (1) 5" White steel Canopy
- F - (1) White strain-relief fitting
- G - (10) Wire ties
- (1) Instruction sheet

Order **QLK-FF220** for 20' cord/cable.

Order **QLK-FF210BT**, **QLK-FF220BT** for black canopy/cord.



Alternate Side Power Feed & Cable Kit (QLK-MF210)

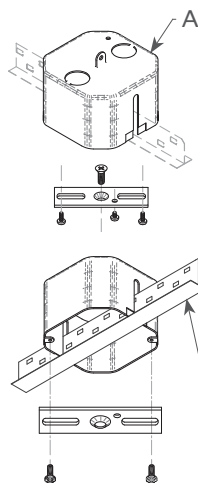
Use: For pendant when second feed is required or feeding run from alternate side. Alternate Side plug and black dead end plug provided for safety and quick installation.

Consisting of:

- A - (1) 10' 9 conductor white drop cord, male quick connect plug with strain relief
- B - (1) 10' cable
- C - (1) Cable Coupler (ferruled for j-box access)
- D - Cross bar and hardware
- E - (1) 5" White steel Canopy
- F - (1) White strain-relief fitting
- G - (10) Wire ties
- (1) Instruction sheet

Order **QLK-MF220** for 20' cord/cable.

Order **QLK-MF210BT**, **QLK-MF220BT** for black canopy/cord.



Slotted J-Box Accessory (QLP-SJB)

Use: For any installation direct over T runners in ceiling grid system. T slotted J-Box works with both 9/16" and 15/16" GRID ceiling systems. Order (1) SJB for every suspension point. Other solutions available for non-feed cable hangers in grid ceilings.

Consisting of:

- A - (1) Slotted J-Box (note: all other J-Boxes are supplied by others).

Drop ceiling T-bar (by others) for drop ceiling applications.

Quick-Line

2" Pendant Direct/Indirect



PROJECT:

TYPE:

FIXTURE DATA: (Complete photometric data (.ies format) available on website)

MULTIPLYING FACTORS: (Multiplying Factor is based on 3500K-83 120V IES file on website)

CCT:	3000K-83	3500K-83	4000K-83
Factor:	0.97	1.0	1.01

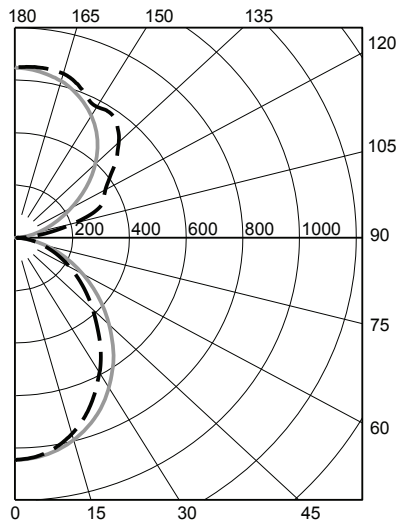
QLP2 DIRECT/INDIRECT PERFORMANCE LENS DIRECT/ BATWING LENS INDIRECT 3500K 4FT

Total Watts: 30 (LOW POWER)

Total Lumens: 3931

Source: 112 White LEDs Direct and 84 White LEDs Indirect

LTL# 13408015.02



ZONAL LUMEN SUMMARY

Zone	Lumens	%Fixt
0-40	968	24.6
0-60	1567	39.9
0-90	1905	48.4
90-180	2026	51.5

Efficacy = 133 Lumens /Watt

COEFFICIENTS OF UTILIZATION

Effective Floor Cavity Reflectance 20%

RC	80			
RW	70	50	30	10
RCR				
0	107	107	107	107
1	97	93	90	86
2	89	82	76	71
3	81	72	65	59
4	74	64	56	50
5	68	57	49	43
6	63	51	43	38
7	59	46	39	33
8	54	42	35	29
9	51	39	31	26
10	47	35	28	24

Values are expressed as percent of total lumen output delivered to the task surface.

CONE OF LIGHT TABULATION

Mounting Height	Footcandles @ Nadir	Diameter (feet)
4'	53.0	4.47
6'	23.5	6.70
8'	13.2	8.93
10'	8.48	11.2
12'	5.89	13.4
14'	4.32	15.6
16'	3.31	17.9

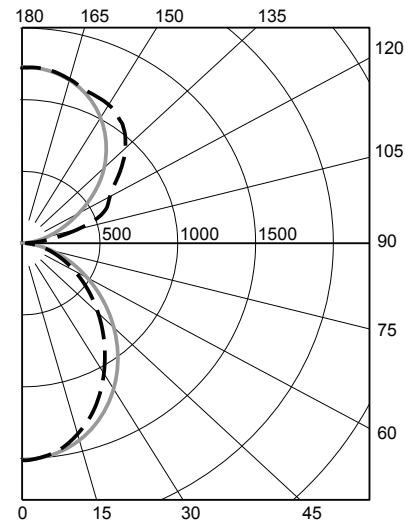
QLP 2 DIRECT/INDIRECT PERFORMANCE LENS DIRECT/ BATWING LENS INDIRECT 3500K 4FT

Total Watts: 59 (HIGH POWER)

Total Lumens: 7065

Source: 112 White LEDs Direct and 84 White LEDs Indirect

LTL# 13408015.01



ZONAL LUMEN SUMMARY

Zone	Lumens	%Fixt
0-40	1713	24.2
0-60	2774	39.3
0-90	3365	47.6
90-180	3700	52.4

Efficacy = 120.1 Lumens /Watt

COEFFICIENTS OF UTILIZATION

Effective Floor Cavity Reflectance 20%

RC	80			
RW	70	50	30	10
RCR				
0	107	107	107	107
1	97	93	89	86
2	89	82	76	71
3	81	72	65	59
4	74	64	56	50
5	68	57	49	43
6	63	51	43	38
7	58	46	39	33
8	54	42	35	29
9	51	39	31	26
10	47	35	28	24

Values are expressed as percent of total lumen output delivered to the task surface.

CONE OF LIGHT TABULATION

Mounting Height	Footcandles @ Nadir	Diameter (feet)
4'	94.3	4.44
6'	41.9	6.66
8'	23.6	8.88
10'	15.1	11.1
12'	10.5	13.3
14'	7.70	15.5
16'	5.89	17.8

Quick-Line

2" Pendant Direct/Indirect



PROJECT:

TYPE:

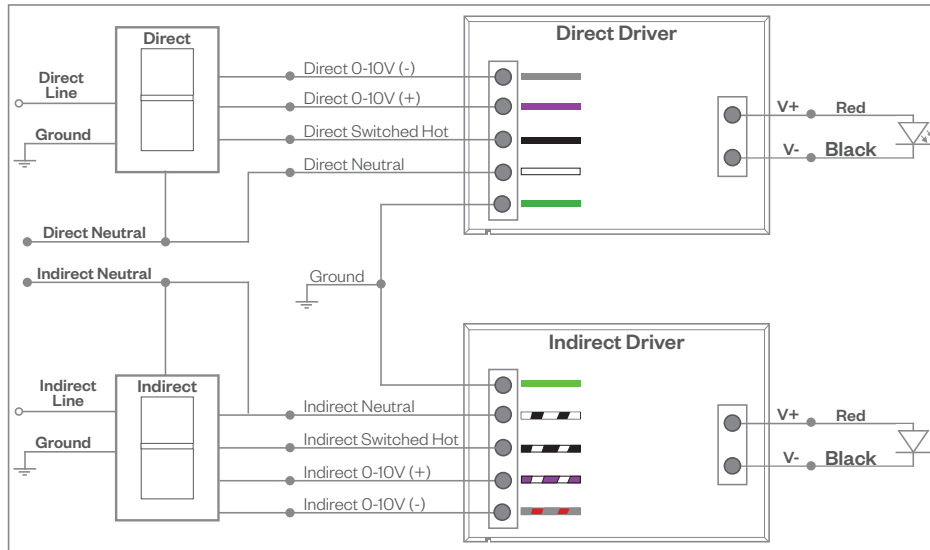
DIMMING COMPATIBILITY:

Amerlux® **Quick-Line** fixtures are compatible with 0-10V Dimming. Please see below for general compatibilities and wiring diagrams. Amerlux recommends testing your unique dimming configuration as the exact full configuration (Dimmer, Fixture Quantity, Voltage, etc) may affect dimming performance.

0-10V - DIMMING (Standard)

Integrates into a variety of building management and daylighting controls

0-10V Wiring Diagram



Wire Colors

- Gray - Dim (-)
- Purple - Dim (+)
- Black - Switched Hot
- White - Neutral
- Green - Ground
- Black/Stripe - Indirect Switched Hot
- White/Stripe - Indirect Neutral
- Gray/Stripe - Indirect Dim (-)
- Purple/Stripe - Indirect Dim (+)

Notes:

- 120V or 277V*
- Dims down to 10% light output
- Requires interface to turn off power to driver
- Consult Dimming manufacturer for installation instructions - **Do Not Share Neutrals**
- Daylighting runs may require standard and alternate side power feeds

Compatible Dimmers†:

Wall Box

Lutron:	Wattstopper:	Leviton:
Diva - DVSTV	ADF-120277	Renoir II
Maestro - MS-Z101		
Nova-T - NTSTV-DV		

Centralized Dimming Control System

Lutron Grafikx Eye with GRX-TV1 Interface

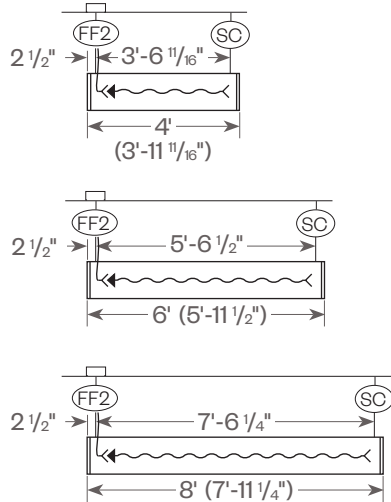
Notes:

- * Driver is 277V dimmable with appropriate dimmer (by others). All provided wiring diagrams show 120V wiring colors and method. Please refer to 277V dimmer installation instructions for 277V wiring diagrams.
- † The absence of a dimmer from the lists above does not imply incompatibility. Please consult factory for compatibility inquiries.

PROJECT:

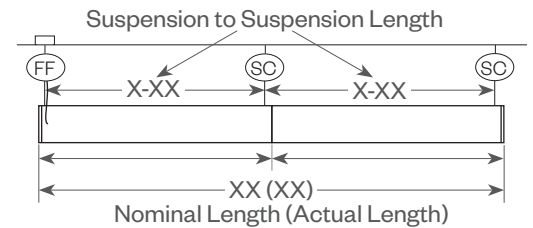
TYPE:

SINGLE LENGTH RUNS



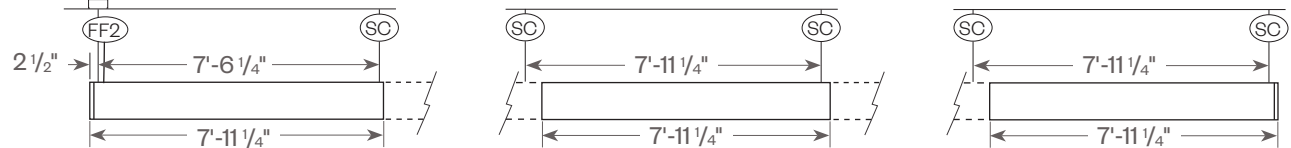
Key:

- ⊙ (SC) = Support Cable (QLK-SC10), Non-Feed, 10'
- ⊙ (FF2) = Power Feed (QLK-FF210) Cable Kit, 10', 2 cir.
- ⊙ (MF2) = Alt. Power Feed (QLK-MF210) Cable Kit, 10', 2 cir.
- | = End Cap (QLP2-EC) Kit
- = Male Quick Connect Plug (for wire harness)
- ⌋ = Female Quick Connect Plug (for wire harness)
- = Feed J-Box location

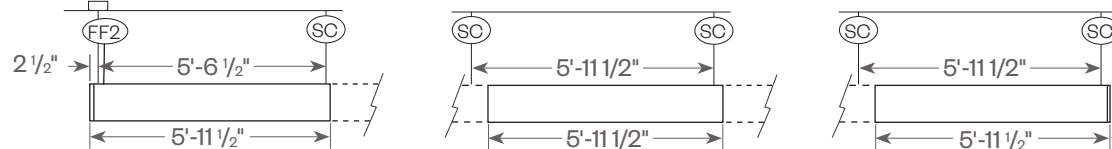


MULTI-LENGTH RUNS

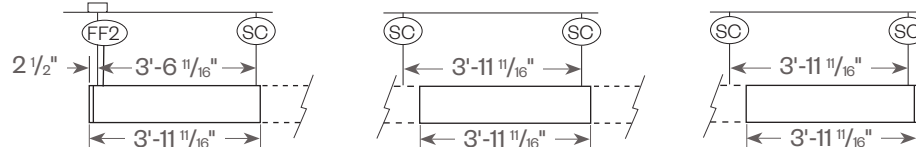
8' Lengths



6' Lengths



4' Lengths



Note: Customer is responsible for all measurements, feed locations and field conditions.

DIRECT/INDIRECT VOLTAGE DROPS

Recommended 2nd Power Feed:

Low Power Level

120 Volts 8W/ft - 75' second drop
277 Volts 8W/ft - 170' second drop

High Power Level

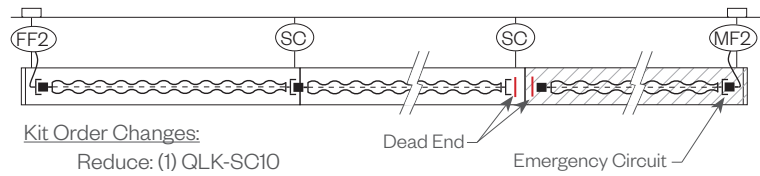
120 Volts 16W/ft - 40' second drop
277 Volts 16W/ft - 95' second drop

PROJECT:

TYPE:

OPTIONAL EMERGENCY CIRCUITING:

EMERGENCY CIRCUIT AT END



Kit Order Changes:

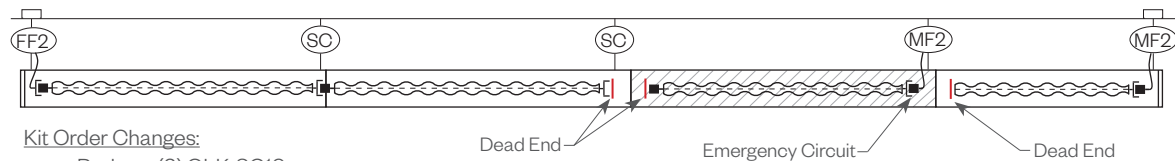
Reduce: (1) QLK-SC10

Add: (1) **QLK-MF210** (at end of run)

Key:

- ⊙ = Support Cable (**QLK-SC10**), Non-Feed, 10'
- ⊙ = Power Feed (**QLK-FF210**) Cable Kit, 10', 2 cir.
- ⊙ = Alt. Power Feed (**QLK-MF210**) Cable Kit, 10', 2 cir.
- ⊏ = End Cap (**QLP2-EC**) Kit
- = Male Quick Connect Plug (for wire harness)
- ⊏ = Female Quick Connect Plug (for wire harness)
- | = Dead end
- ⊏ = Feed J-Box location

EMERGENCY CIRCUIT IN MIDDLE

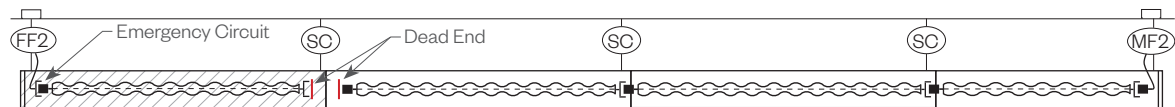


Kit Order Changes:

Reduce: (2) QLK-SC10

Add: (1) **QLK-MF210** (at end of run) & (1) **QLK-FF210** (in middle of run)

EMERGENCY CIRCUIT AT BEGINNING



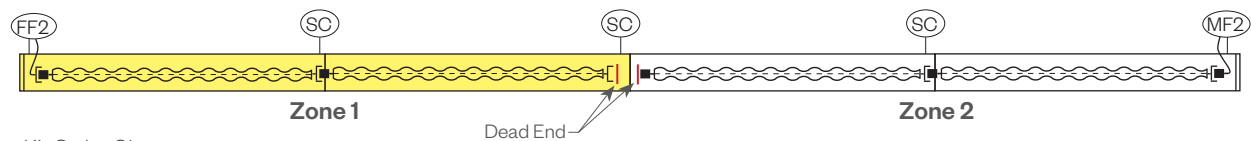
Kit Order Changes:

Reduce: (1) **QLK-SC10**

Add: (1) **QLK-MF210** (at end of run)

ZONAL LIGHTING

Note: Additional circuits can be added as needed. Warning: Use Dead End plugs (black) to safely end circuits.



Kit Order Changes:

Reduce: (1) **QLK-SC10**

Add: (1) **QLK-MF210** (at end of)

Quick-Line

2" Pendant Direct/Indirect



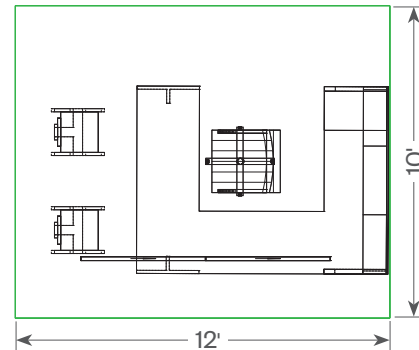
PROJECT:

TYPE:

APPLICATION DATA:

Private Office:

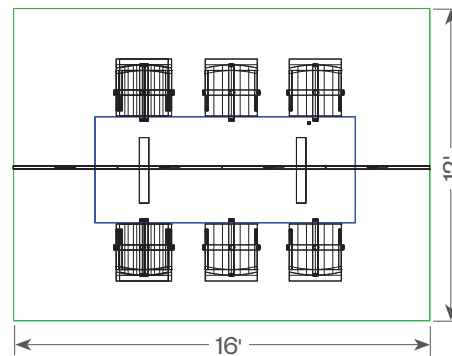
Room Size: 12' x 10' (120 ft²)
 Ceiling Height: 8' 6"
 Fixture Mounting: 7' mh (top of fixture)
 LLF: 0.78



Model	Performance Profile (3500K)	8' Runs	Total Wattage	Avg Illumination (fc) on workplane	Ceiling Uniformity (max/min ratio)	Lighting Power Density (W/ft ²)
QLP2 Dir/Ind	LOW (983 Lm/ft)	2 Runs 6' O.C.	118	57	5.53	0.99
QLP2 Dir/Ind	HIGH (1766 Lm/ft)	2 Runs 6' O.C.	235	101	5.62	1.96

Small Conference Room:

Room Size: 12' x 16' (192 ft²)
 Ceiling Height: 8' 6"
 Fixture Mounting: 7' mh (top of fixture)
 LLF: 0.78



Model	Performance Profile (3500K)	12' Runs	Total Wattage	Avg Illumination (fc) on work plane	Ceiling Uniformity (max/min ratio)	Lighting Power Density (W/ft ²)
QLP2 Dir/Ind	LOW (983 Lm/ft)	2 Runs 6' O.C.	236	73	3.28	1.23
QLP2 Dir/Ind	HIGH (1766 Lm/ft)	2 Runs 6' O.C.	471	131	3.33	2.45

Quick-Line

2" Pendant Direct/Indirect



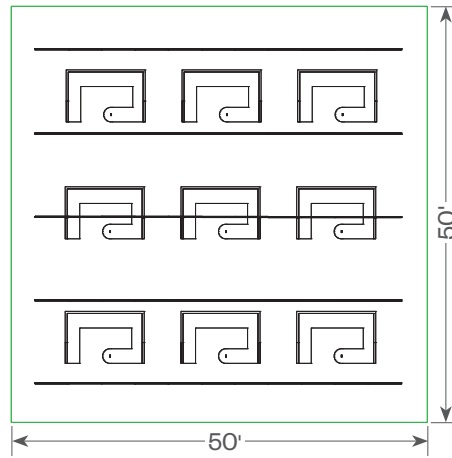
PROJECT:

TYPE:

APPLICATION DATA:

Large Open Office:

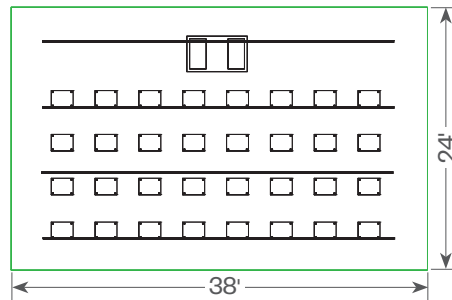
Room Size: 50' x 50' (2,500 ft²)
 Ceiling Height: 9'
 Fixture Mounting: 7' 6" mh (top of fixture)
 LLF: 0.78



Model	Performance Profile (3500K)	44' Runs	Run Wattage	Total Wattage	Avg Illumination (fc) on work plane	Ceiling Uniformity (max/min ratio)	Lighting Power Density (W/ft ²)
QLP2 Dir/Ind	LOW (983 Lm/ft)	5 Runs 10' O.C.	325	1625	47	10.65	0.65
QLP2 Dir/Ind	HIGH (1766 Lm/ft)	5 Runs 10' O.C.	647	3235	85	11.02	1.29
QLP2 Dir/Ind	LOW (983 Lm/ft)	6 Runs 8' O.C.	325	1,950	57	9.23	0.78
QLP2 Dir/Ind	HIGH (1766 Lm/ft)	6 Runs 8' O.C.	647	3,882	102	9.40	1.55

Classroom:

Room Size: 38' x 24' (912 ft²)
 Ceiling Height: 12'
 Fixture Mounting: 10' 6" mh (top of fixture)
 LLF: 0.78



Model	Performance Profile (3500K)	32' Runs	Run Wattage	Total Wattage	Avg Illumination (fc) on work plane	Ceiling Uniformity (max/min ratio)	Power Density (W/ft ²)
QLP2 Dir/Ind	LOW (983 Lm/ft)	4 Runs 6' O.C.	237	946	77	5.58	1.04
QLP2 Dir/Ind	HIGH (1766 Lm/ft)	4 Runs 6' O.C.	471	1882	138	5.68	2.06
QLP2 Dir/Ind	LOW (983 Lm/ft)	3 Runs 8' O.C.	237	709	59	6.94	0.78
QLP2 Dir/Ind	HIGH (1766 Lm/ft)	3 Runs 8' O.C.	471	1412	105	7.16	1.55

Quick-Line Pendant 2" Direct/Indirect