

RATIO Flood

MEDIUM AND LARGE

FEATURES

- Medium and Large LED flood with a variety of NEMA distributions for lighting applications such as area safety/security, accent, flag pole columns, or signs
- Part of the Ratio flood series, this luminaire was designed in cohesion with the site/area products to provide a sleek and timeless look
- Features a dense optical array, providing reduced pixelation and increased visual comfort without compromising performance
- Applications include safety/security, accent, flag pole, columns and signs



See Certification Specifications

CONTROL TECHNOLOGY



SPECIFICATIONS

CONSTRUCTION

- Corrosion resistant, rugged die-cast aluminum housing with powder coat paint finish
- High impact UV stabilized acrylic outer lens protects LEDs and allows for cleaning and debris removal
- Internal venting fins create optimal heat dissipation and allow all water to drain from the face of the luminaire
- Visor and louver options
- Easy maintenance access to electrical components with removal of four screws from back of fixture housing
- Lens hardware is internal to the fixture allowing for uniform pressure on the gasket for an optimal water tight seal

OPTICS

- 176 or 360 midpower LEDs
- Stock Versions: 4000K and 5000K CCT
- Variety of NEMA distributions: - N (3x3), M (4x4), and W (6x6). Stock version Wide (6x6) only
- Entire optical aperture illuminates to create a larger luminous surface area resulting in a low glare appearance without sacrificing optical performance

CONTROLS

- Photo control, occupancy sensor and wireless available for complete on/off dimming control

CONTROLS (CONTINUED)

- 7-pin ANSI C136.41–2013 photocontrol receptacle option available for twist lock photocontrols or wireless control modules (control accessories sold separately)
- 0–10V dimming leads available for use with control devices (provided by others), must specify lead length
- 0–10V dimming driver standard, continuous dimming option to have leads pulled out for easy connection

INSTALLATION

- Interchangeable knuckle and trunnion mounting options
- Knuckle arm fitter option available for 2-3/8" OD tenon. 180 degrees of adjustability (with no options). 4 degree adjustable increments
- Trunnion option available for surface and crossarm mounting using (1) 3/4" or (2) 1/2" size through bolts

ELECTRICAL

- 120–480V operation, 50/60Hz
- Driver IP66 and RoHS compliant driver
- Ambient operating temperature -40°C to 40°C. (265W configuration rated for 25°C)
- 7-pin module can limit backwards rotation of the luminaire
- Drivers have 90% power factor and less than 20% THD

ELECTRICAL (CONTINUED)

- LED drivers have output power over-voltage, over-current protection and short circuit protection with auto recovery
- 10kA surge protector optional

CERTIFICATIONS

- Fixture is IP66 rated
- Listed to UL1598 for use in wet locations
- DLC® (DesignLights Consortium Qualified), with some Premium Qualified configurations. Please refer to the DLC website for specific product qualifications at www.designlights.org
- This product qualifies as a "designated country construction material" per FAR 52.225-11 Buy American-Construction Materials under Trade Agreements effective 04/23/2020

WARRANTY

- 5 year limited warranty



RFL4

RFL5

RATIO

KEY DATA	
Lumen Range	12,000–30,000
Wattage Range	124–266
Efficacy Range (LPW)	116–125
Weights lbs. (kg)	16.0–25.7 (7.2–11.66)

RATIO Flood

MEDIUM AND LARGE

STOCK ORDERING INFORMATION

Catalog Number	Mounting	Distribution	Wattage	Voltage	CCT	Lumens	LPW	Weight lbs. (KG)	Finish
RFL4-120-5K-K	Knuckle	Wide	124	120-277V	5000K	14746	122	16.0 (7.26)	Bronze
RFL4-120-4K-K	Knuckle	Wide	124	120-277V	4000K	15119	125	16.0 (7.26)	Bronze
RFL4-120-5K-T	Trunnion	Wide	124	120-277V	5000K	14746	122	16.0 (7.26)	Bronze
RFL4-120-4K-T	Trunnion	Wide	124	120-277V	4000K	15119	125	16.0 (7.26)	Bronze
RFL5-265-5K-K	Knuckle	Wide	266	120-277V	5000K	29362	116	25.7 (11.66)	Bronze
RFL5-265-4K-K	Knuckle	Wide	266	120-277V	4000K	30106	119	25.7 (11.66)	Bronze
RFL5-265-5K-T	Trunnion	Wide	266	120-277V	5000K	29362	116	25.7 (11.66)	Bronze
RFL5-265-4K-T	Trunnion	Wide	266	120-277V	4000K	30106	119	25.7 (11.66)	Bronze
RFL-TRN-XX ¹	Trunnion Accessory Kit								

1 Specify finish color to match fixture

ORDERING GUIDE

Example: RFL4-176L-95-3K7-M-UNV-K-BLT-PC-SP

CATALOG #

Model	# LEDs Wattage	CCT/CRI	Distribution	Voltage	Mounting
RFL4 Ratio Flood Size 4	176L-95 176 LEDs-12000lm	3K7 3000K, 70 CRI	N Narrow, 2x2	UNV Universal 120-277	K Knuckle
RFL5 Ratio Flood Size 5	176L-120 176 LEDs-15000lm	4K7 4000K, 70 CRI	M Medium Flood, 4x4	120 120V	T Trunnion
	360L-130 360 LEDs-18000lm	5K7 5000K, 70 CRI	W Wide Flood, 6x6	208 208V	
	360L-190 360 LEDs-25000lm			240 240V	
	360L-265 360 LEDs-30000lm			277 277V	
				347 347V	
				480 480V	

Color	Control Options	Options
BLT Black Matte Textured	PC Button style photocontrol	SP Surge Protector
BLS Black Gloss Smooth	CD Continuous dimmable	F Fusing
DBT Dark Bronze Matte Textured		
DBS Dark Brone Gloss Smooth		
GTT Graphite Matte Textured		
LGS Light Grey Gloss Smooth		
PSS Platinum Silver Smooth		
WHT White Matte Textured		
WHS White Gloss Smooth		
VGT Verde Green Textured		
Color Option		
CC Custom Color		

Control Options

NX Networked - Wired

NXWS16F³	NX Networked Wireless Enabled Integral NXSM2- LMO PIR Occupancy Sensor with Automatic Dimming Photocell and Bluetooth Programming
NXWS40F³	NX Networked Wireless Enabled Integral NXSM2- HMO PIR Occupancy Sensor with Automatic Dimming Photocell and Bluetooth Programming
NXW³	NX Networked Wireless Radio Module NXRM2 and Bluetooth Programming, without Sensor
WIR	wiSCAPE® In-Fixture Module
WIRSC	wiSCAPE® Module and Occupancy Sensor

Third-Party Control Options

SCP-F¹	Programmable occupancy sensor
7PR^{1,2}	7-Pin twist lock receptacle
7PR-SC^{1,2}	7-Pin receptacle with shoring cap
7PR-MD-F^{1,2}	Low voltage sensor for 7PR

- Option available with knuckle mounting
- Limits backwards rotation based on module height
- Items with a grey background can be done as a custom order. Contact brand representative.

RATIO Flood

MEDIUM AND LARGE

ACCESSORIES AND REPLACEMENT PARTS (ORDERED SEPARATELY)

	Catalog Number	Description
<input type="checkbox"/>	RFL4-TV-XX ¹	Top Visor - RFL4
<input type="checkbox"/>	RFL4-FL-XX ¹	Louver - RFL4
<input type="checkbox"/>	RFL5-TV-XX ¹	Top Visor - RFL5
<input type="checkbox"/>	RFL5-FL-XX ¹	Louver - RFL5

¹ Specify finish color to match fixture, e.g. DBT - Dark Bronze Matte

CONTROL ACCESSORIES

	Catalog Number	Description
<input type="checkbox"/>	SCPREMOTE	Order at least one per project location to program and control
<input type="checkbox"/>	WIR-RME-L	wiSCAPE® external control node; use with 7PR
<input type="checkbox"/>	NXOFM-1R1D-UNV	NX external control node; use with 7PR

PERFORMANCE DATA

Series	Nominal Watts	Dist. Type	NEMA	Field Angle H X V	5K (5000K nominal, 70 CRI)			4K (4000K nominal, 70 CRI)			3K (3000K nominal, 70 CRI)		
					Lumens	LPW ¹	Max Beam Candlepower	Lumens	LPW ¹	Max Beam Candlepower	Lumens	LPW ¹	Max Beam Candlepower
RFL4	95	N	2 x 2	20 x 20	12594	135	213259	12913	140	218652	12510	136	211825
		M	4 x 4	57 x 57	11894	128	28457	12196	131	29177	11816	127	82866
		W	6 x 6	105 x 105	12355	132	7037	12668	135	7215	12272	131	6990
	120	N	2 x 2	20 x 20	15031	127	254521	15411	130	260957	14931	126	252810
		M	4 x 4	57 x 57	14196	119	33912	14555	122	34770	14102	118	33684
		W	6 x 6	105 x 105	14746	122	8399	15119	125	8611	14647	121	8343
RFL5	130	N	2 x 2	20 x 20	19019	145	322063	19501	149	330208	18892	144	319898
		M	4 x 4	57 x 57	17963	136	44645	18419	140	45774	17843	135	44345
		W	6 x 6	105 x 105	18658	140	10628	19131	144	10897	18534	139	10557
	190	N	2 x 2	20 x 20	25278	134	428052	25918	139	438877	25110	133	425174
		M	4 x 4	57 x 57	23875	126	58831	24478	129	60319	23714	125	58436
		W	6 x 6	105 x 105	24799	129	14126	25427	133	14483	24634	128	14031
	265	N	2 x 2	20 x 20	29930	120	30685	30688	123	519638	29730	120	503414
		M	4 x 4	57 x 57	28268	113	68911	28983	119	70654	28078	112	68448
		W	6 x 6	105 x 105	29362	116	30106	30106	119	17148	29167	115	16612

¹ Lumen values are from photometric tests performed in accordance with IESNA LM-79-08. Data is considered to be representative of the configurations shown. Actual performance may differ as a result of end-user environment and application.

RATIO Flood

MEDIUM AND LARGE

ELECTRICAL DATA

# LEDS	Nominal Wattage	Input Voltage	Oper. Current (Amps)	System Power (W)
RFL4	95	120	0.78	93.5
		208	0.45	
		240	0.39	
		277	0.34	
	120	120	1.00	120.2
		208	0.58	
		240	0.50	
		277	0.43	
RFL5	130	120	1.11	132.6
		208	0.58	
		240	0.50	
		277	0.43	
	190	120	1.59	191
		208	0.92	
		240	0.80	
		277	0.69	
	265	120	2.10	252
		208	1.21	
		240	1.05	
		277	0.91	

PROJECTED LUMEN MAINTENANCE

Ambient Temperature	Operating Hours					Calculated L70 (Hours)
	0	25,000	50,000	TM-21-11 60,000 ¹	100,000	
25°C / 77°C	1.00	0.96	0.94	0.91	0.83	> 191,000
40°C / 104°F	0.99	0.95	0.93	0.93	0.81	> 173,000

LUMINAIRE AMBIENT TEMPERATURE FACTOR (LATF)

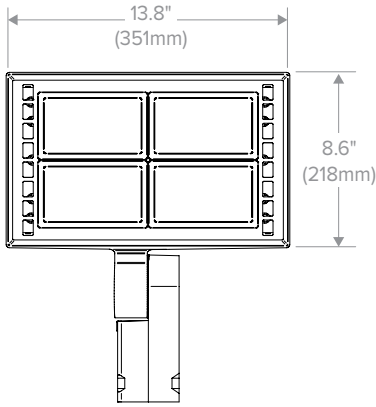
Ambient Temperature		Lumen Multiplier
0° C	32° F	1.03
10° C	50° F	1.01
20° C	68° F	1.00
25° C	77° F	1.00
30° C	86° F	0.99
40° C	104° F	0.98

Use these factors to determine relative lumen output for average ambient temperatures from 0-40°C (32-122°F)

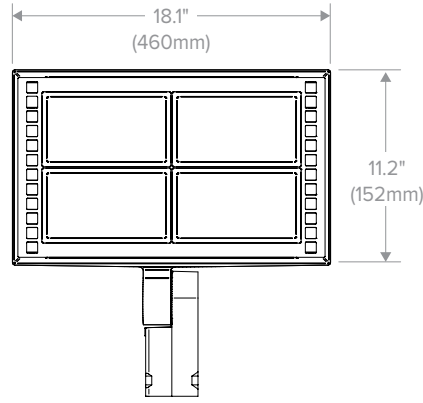
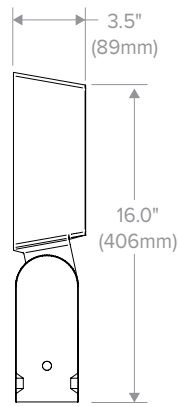
RATIO Flood

MEDIUM AND LARGE

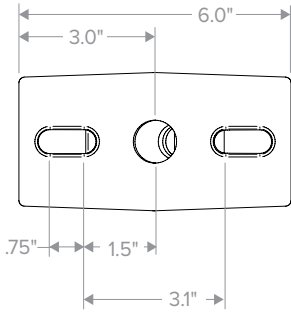
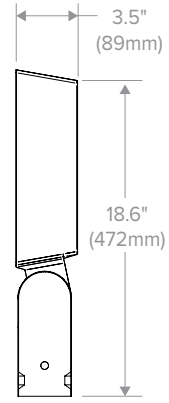
DIMENSIONS



RFL4



RFL5



Trunnion Mount

RFL4 EPA(Front/Side)	RFL5 EPA(Front/Side)
1.24ft ² / 0.43ft ²	2.00ft ² / 0.50ft ²

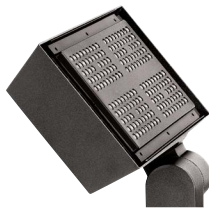
SHIPPING INFORMATION

Catalog Number	G.W (kg)/CTN	Carton Dimensions		
		Length Inch (cm)	Width Inch (cm)	Height Inch (cm)
RFL4	15lbs (6.8kg)	20.7 (52.7)	15.1 (38.4)	6.9 (17.6)
RFL5	19lbs (8.6kg)	25 (63.5)	15.1 (38.4)	6.9 (17.6)

ACCESSORIES



Visor



Louver

RATIO Flood

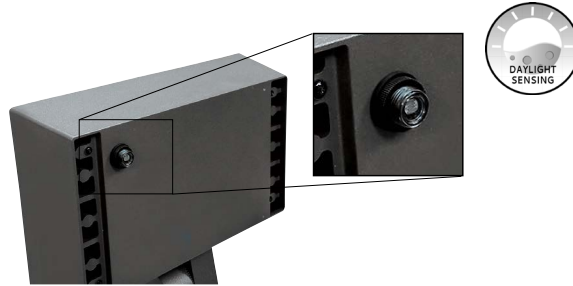
MEDIUM AND LARGE

ADDITIONAL INFORMATION

CONTROL IMAGES



Occupancy Sensor



Photocontrol



NX Lighting Controls



7-Pin Receptacle