

Shakespeare Composite Burial Foot

Fast, easy mounting for anchor base poles

Shakespeare Composite Structures new, advanced-design Composite Burial Foot makes fast work of mounting anchor base poles. The foot allows quick installation, usually without the need for pouring concrete. The result is a substantial saving in material expense, equipment and labor cost, and time required for construction. The Composite Burial Foot simply goes directly into the ground in most soils as though it were a direct burial base pole. Its tough, E-Coated aluminum mounting flange accommodates bolt hole circles from 8" to 13", and can be supplied for 5/8", 3/4" or 1" bolts.



The Burial Foot will work with all of Shakespeare Composite Structures Decorative Poles, as well as our round and square composite poles to 30' mounting height—with or without mast arms, brackets and other attachments—to the same specifications as direct burial poles. Contact the factory for information on use with other manufacturers' poles.



How To Order

Order Shakespeare Composite Structures Composite Burial Foot Mounting Base in 4' or 5' burial depth (usually 10% of overall pole length plus 2'), and specify bolt hole circle, bolt size and cable entrance according to the ordering logic below.

BF=
Burial Foot

Bolt Size
16=1"
12=3/4"
10=5/8"

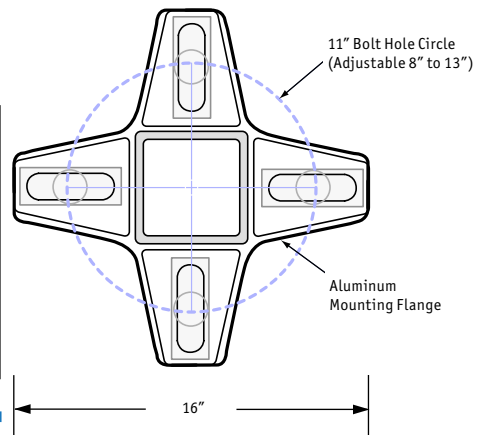
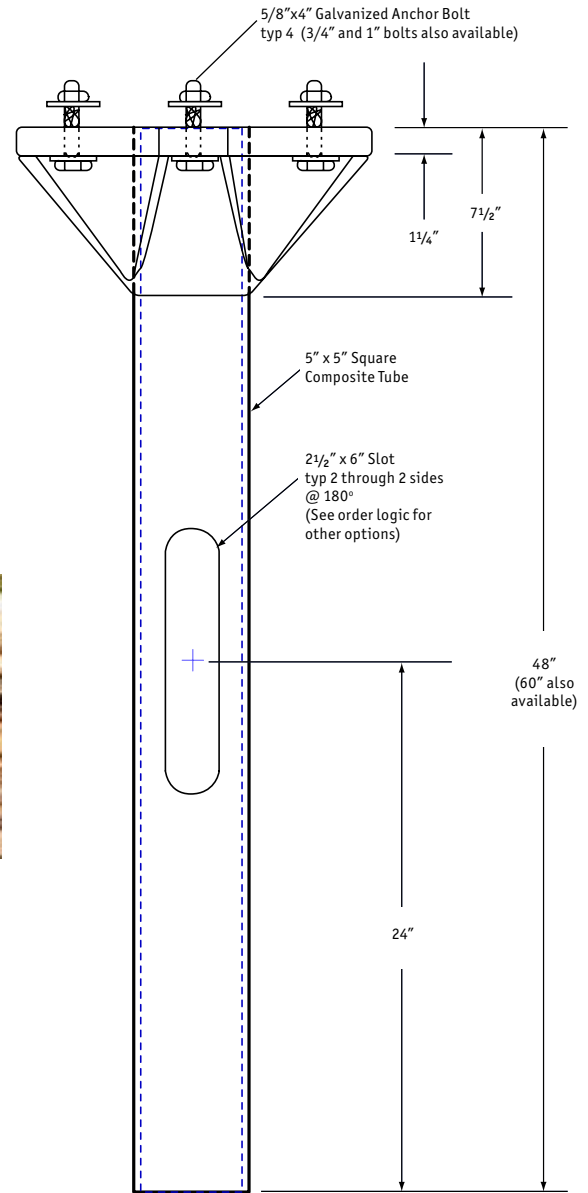
BF - 4 - 13 - 10 - 13

Burial Depth
4=4 ft.
5=5 ft.

Cable Entrance Size and Location

	2 1/4" dia.		2 1/2" x 6"		2 1/2" x 12"	
	1 ea.	2 ea.	1 ea.	2 ea.	1 ea.	2 ea.
	With Grommet		No Grommet		No Grommet	
None	01	01	01	01	01	01
12"	38	39	42	43	62	63
24"	08	09	12	13	66	67
36"	20	21	24	25		
48"	32	33	36	37		

(Distance from Bottom of Foot)
Custom configurations are available, call factory.



19845 U.S. Highway 76, Newberry, SC 29108
803-276-5504 · 800-800-9008 · Fax: 803-276-8940
www.skp-cs.com