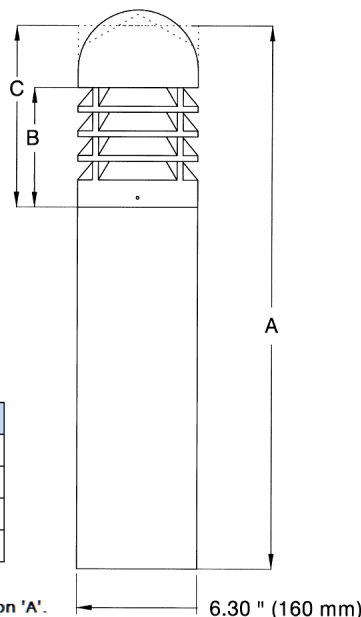


Fixture Type: _____
 Model Number: _____
 Project Name: _____



ALLURE

louvered full cutoff LED bollard



TOP STYLE	A	B	C
Beveled	40.5"	6.3"	9.5"
Cone	41.1"		10.1"
Dome	41.3"		10.3"
Flat	40.5"		9.5"

Note: standard 42" model dimensions.
 For 30" models, subtract 12" from dimension 'A'.

General: The cast louvers on the Dark Sky Approved Allure series bollard provide excellent downward light control for low-level walkway installations. Cast louvers shield the light source, reducing glare.

Exterior: Sand cast, marine-grade aluminum top, head, and mounting base. Extruded aluminum bollard tube. Bollard tube can be cut to custom length; consult factory. Stainless steel hardware and fasteners.

Wattage: Available wattages: 15 watt, and 21 watt.
 Available color temperatures: 3000K, 4000K, and amber (590nm). CRI>70.

Driver: Constant current; maximum wattage = 40 watts; universal input voltage 120v-277v (50/60Hz); THD<20%. Power Factor >0.90. 0-10V dimming standard for a dim range of 100% down to 10%.

Heat Sink: Finned aluminum heat sink with black electrocoating securing heat sink to LED module.

Finish: Textured polyester powder coat finish. Black, bronze, gray, white, silver, and verde green available. Consult factory for custom finishes.

Gaskets: EPDM gaskets are standard.

Dimensions: 6.30" diameter standard with overall height (OAH) options of 30" and 42".
 For custom height options, consult factory.

Tops: Four top styles available: beveled (-B), cone (-C), dome (-D), and flat (-F).

Mounting: Mount bollard using the provided cast mounting base, template, and (4) ½" anchor bolts.

Options: Recessed outlet box/cover (-GFI)
 PIR Motion Sensor (-PIR)
 Houseside Shields (-180HSS and -270HSS)

Certifications: ANSI/UL 1598, 8750
 Operating temperature: -40°C to +50°C
 Florida Fish & Wildlife Conservation Commission approval 2017-007
 IDA Dark Sky Approved (3000K or Amber LED)

content of specification sheet is subject to change.



N60 W14592 Kaul Avenue
 Menomonee Falls, WI 53051

P 877 965 0005
intrigueled.com

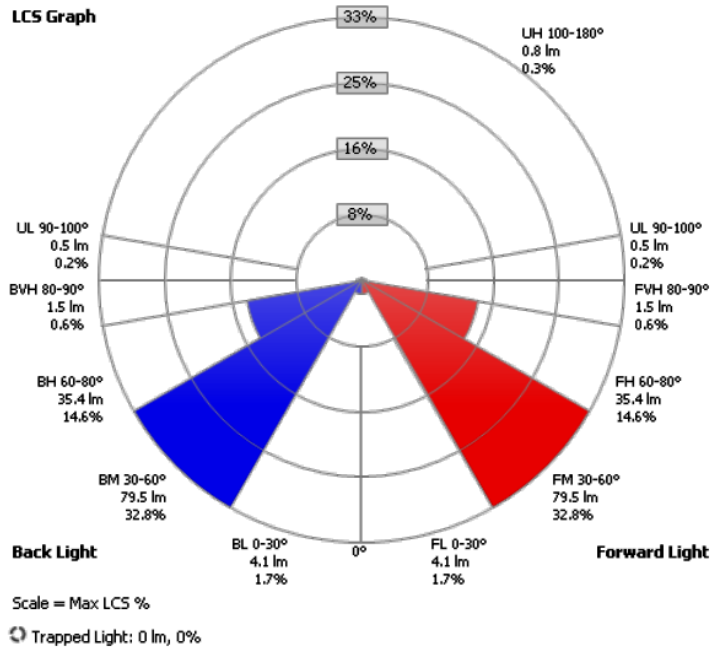
Fixture Type: _____
 Model Number: _____
 Project Name: _____



PHOTOMETRIC TECHNICAL DATA

Photometric Performance						
Input Watts	Drive Current	Color Temperature	Optics	Lumens	LPW	CRI
15.0	700mA	3000K	louvered	1,401	93	70
		4000K		1,535	102	70
20.0	1050mA	3000K	louvered	2,006	100	70
		4000K		2,197	110	70
20.0	700mA	590nm (amber)	louvered	212	11	70

LCS Table		
BUG Rating	B0 - U1 - G0	
Forward Light	Lumens	Lumens %
Low(0-30):	4.1	1.7%
Medium(30-60):	79.5	32.8%
High(60-80):	35.4	14.6%
Very High(80-90):	1.5	0.6%
Back Light		
Low(0-30):	4.1	1.7%
Medium(30-60):	79.5	32.8%
High(60-80):	35.4	14.6%
Very High(80-90):	1.5	0.6%
Uplight		
Low(90-100):	0.5	0.2%
High(100-180):	0.8	0.3%
Trapped Light:	0.0	0%



content of specification sheet is subject to change.

N60 W14592 Kaul Avenue
 Menomonee Falls, WI 53051

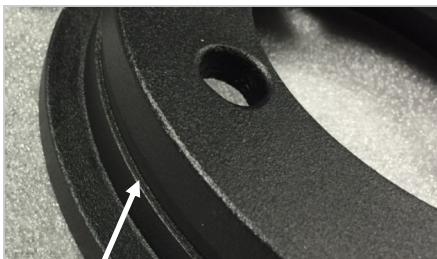
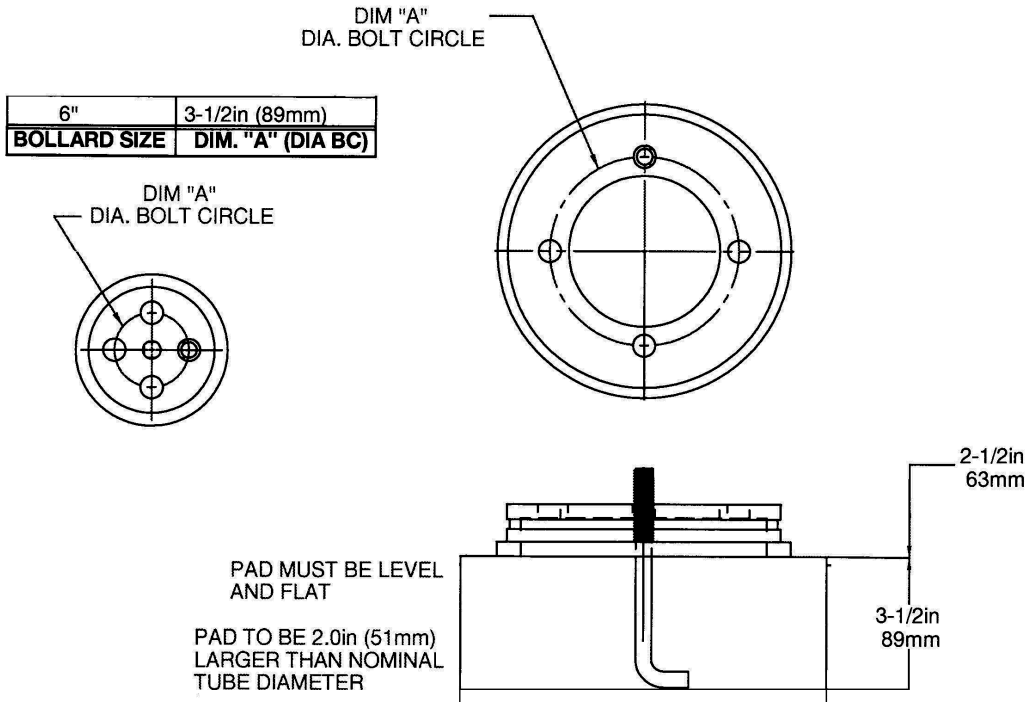
P 877 965 0005
 intrigueled.com

Fixture Type: _____
 Model Number: _____
 Project Name: _____



MOUNTING / INSTALLATION DETAIL

NOT TO SCALE ... DIMENSIONAL REFERENCE PURPOSES ONLY
Drill pattern represents standard hold pattern in mounting plate (supplied by Intrigue Lighting).
Hole size and orientation to be determined by installing contractor.
Concrete foundation to be designed (by others) according to local soil conditions.



extruded bollard tube slides over cast aluminum mounting base and secures to base with (4) set screws tightened into machined groove



MOUNTING BASE KIT
 cast aluminum mounting base (1)
 anchor bolts (4) + washers(4) + nuts(4)

content of specification sheet is subject to change.



N60 W14592 Kaul Avenue
 Menomonee Falls, WI 53051

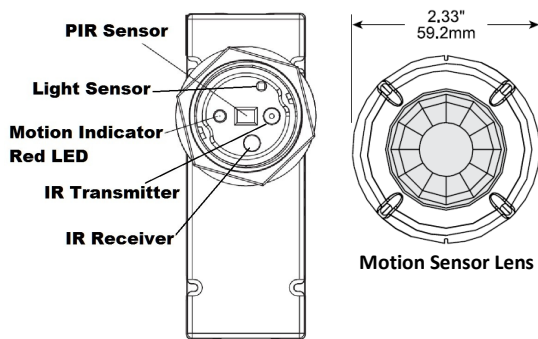
P 877 965 0005
intrigueled.com

Fixture Type: _____
 Model Number: _____
 Project Name: _____



ACCESSORY / OPTION DETAIL

PASSIVE INFRARED MOTION SENSOR (-PIR)

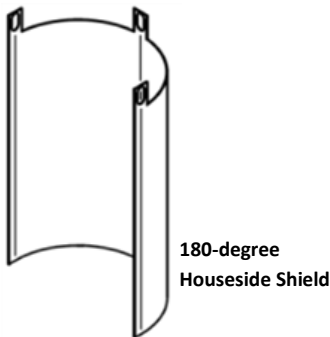


PIR Motion Sensor (120v-277v only) option includes (1) passive infrared (PIR) sensor to detect motion.

Factory default setting: when motion is not detected for a 3-1/2 minute period, luminaire will automatically dim to 20% power and light. Once motion is detected, luminaire immediately ramps up to 100% power and light output until motion is not detected for another 3-1/2 minute period.

Custom programmable settings available - consult factory.

HOUSESIDE SHIELD (-HSS)



Asymmetric light distribution eliminates backlight in unwanted areas. Field adjustable shield constructed of sheet aluminum.

Available options: 180-degree houseside shield (-180HSS)
 270-degree houseside shield (-270HSS)

RECESSED RECEPTACLE BOX (-GFI)



Recessed receptacle outlet box mounted 16" on center from bottom of bollard tube. Cast aluminum outlet box internally welded and sealed with gasketed spring-loaded hinge cover. Cover shall be die cast metal construction with finish to match bollard.

Typical supplied cover will be lockable, single-gang weatherproof receptacle cover (Bell #MX1050S or similar); rated for wet and damp locations when cover is closed

content of specification sheet is subject to change.



N60 W14592 Kaul Avenue
 Menomonee Falls, WI 53051

P 877 965 0005
intrigueled.com

Fixture Type: _____
 Model Number: _____
 Project Name: _____



SERIES DIAMETER MOUNTING WATTAGE COLOR (K) TOP STYLE OPTIONS VOLTAGE HEIGHT FINISH

AR - **6** - **B** - _____ - _____ - _____ - **UNV** - _____ - _____

MODEL NUMBER DETAIL

- | | | |
|------------------|--|--|
| SERIES | <input type="checkbox"/> AR | Allure Louvered Cutoff LED Bollard |
| DIAMETER | <input type="checkbox"/> 6 | 6.30" Outer Diameter |
| MOUNTING | <input type="checkbox"/> B | Bollard Mount |
| WATTAGE | <input type="checkbox"/> 15LED
<input type="checkbox"/> 21LED | 15-watt LED Module (@700mA)
21-watt LED Module (@1050mA) |
| COLOR (K) | <input type="checkbox"/> 3K
<input type="checkbox"/> 4K
<input type="checkbox"/> AML | 3000K (<i>IDA Dark Sky Approved</i>)
4000K
590nm Amber (<i>IDA Dark Sky Approved</i>) |
| TOP STYLE | <input type="checkbox"/> B
<input type="checkbox"/> C
<input type="checkbox"/> D
<input type="checkbox"/> F | Beveled Top
Cone Top
Dome Top
Flat Top |
| OPTIONS | <input type="checkbox"/> GFI
<input type="checkbox"/> PIR
<input type="checkbox"/> 180HSS
<input type="checkbox"/> 270HSS | Receptacle Box with Cover for GFCI Outlet (<i>outlet by others</i>)
Passive Infrared Motion Sensor (120v-277v only)
180° Houseside Shield
270° Houseside Shield |
| VOLTAGE | <input type="checkbox"/> UNV | Universal Voltage (120v-277v) (50/60Hz); constant current dimmable driver |
| HEIGHT | <input type="checkbox"/> 30
<input type="checkbox"/> 42
<input type="checkbox"/> CH | 30" Overall Height
42" Overall Height
Custom Height - Consult Factory |
| FINISH | <input type="checkbox"/> BLK
<input type="checkbox"/> BRZ
<input type="checkbox"/> GRY
<input type="checkbox"/> SIL
<input type="checkbox"/> VGN
<input type="checkbox"/> WHT
<input type="checkbox"/> CC | Black
Bronze
Grey
Silver
Verde Green
White
Custom Color - Consult Factory |

Allure bollard is IDA Dark Sky Approved when utilized with either 3000K LED module or 590nm Amber LED module



content of specification sheet is subject to change.

N60 W14592 Kaul Avenue P 877 965 0005
 Menomonee Falls, WI 53051 intrigueled.com