

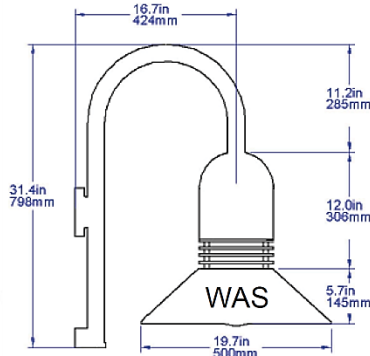
Type: _____ Model: _____

Project: _____

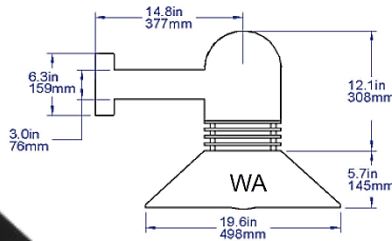


LARGE METRO

LED Wall Mount



shown with wall arm shepherd's crook mount (-WAS)



shown with straight arm wall mount (-WA)



Dome Top

Cone Top
(WA style only)

General: The updated classic style of the Large Metro series provides general illumination from a wall mounted fixture. Appropriate for pedestrian scale installations, the stacked decorative rings provide an aesthetic appeal.

Construction: Top, housing, and mounting gear are constructed of low copper content cast aluminum. Shade shall be spun aluminum. Stainless steel external hardware to protect against the exterior elements.

Lens: Glass globe available in opal (-OL) or clear (-CL).

Tops: Two top styles available: Cone (straight arm only) and Dome.

LED Light Engine: LED module located in upper housing with LED module offering 37 nominal input watts. Available in color temperatures of 3000K, 3500K, 4000K, and 5000K. Minimum CRI = 80.

Driver: Constant current LED driver; input voltage of 120v to 277v, mounted internal to fixture.

Heat Sink: Finned heat sink shall be extruded aluminum and shall be located in housing above LED module.

Mounting: Two wall mount styles available: shepherds crook (-WAS) and straight arm (-WA).

Finish: Textured polyester powder coat finish. Shade underside is standard white finish. Black, bronze, grey, white, silver, and verde green options available. For woodgrain finish and custom colors, consult factory.

Gaskets: EPDM gaskets standard.

Weight: WA 27 lbs
WAS 28 lbs

Listings: ETL Listed to UL 8750. IESNA LM79.



Type: _____ Model: _____

Project: _____



SERIES MOUNTING WATTAGE CCT (kelvin) TOP STYLE LENS VOLTAGE FINISH

FIXTURE DETAIL

SERIES **LMT** Large Metro Wall Mount

MOUNTING **WA** Straight Arm Wall Mount
 WAS Wall Arm Shepherds Crook Mount

WATTAGE **37LED** 37 input watts

Nominal Watts	Nominal Lumens	Lumens/Watt (LPW)	CCT (Kelvin)	CRI	Rated Life (L85)	Drive Current (mA)	Nominal Voltage
	3,700	100	3000				
37	3,750	101	3500	> 80	50,000 hrs	700mA	48.0
	3,750	101	4000				
	3,800	103	5000				

COLOR (kelvin) **30K** 3000K
 35K 3500K
 40K 4000K
 50K 5000K

TOP STYLE **C** Cone [-WA style only]
 D Dome

LENS **CL** Clear Glass Globe
 OL Opal/Translucent Glass Globe

VOLTAGE **UNV** 120v – 277v; output current 700mA

FINISH **BLK** Black finish **VGN** Verde Green finish
 BRZ Bronze finish **WHT** White finish
 GRY Grey finish **CC** Custom Color – consult factory
 SIL Silver finish **WGF** Woodgrain finish – consult factory

IES files can be found on website.

Content of specification sheets is subject to change. Please consult website for current product detail.



www.intrigueled.com

N60 W14592 Kaul Avenue Menomonee Falls, WI 53051
P: (877) 965 0005 F: (262) 436 1745