

Fixture Type: _____
 Model Number: _____
 Project Name: _____



ROVIN

Up/Down Architectural LED Wall Cylinder



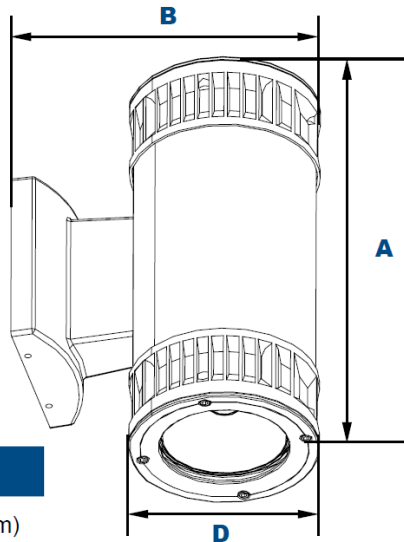
Shown with "B" Wide Optic



Shown with "A" Medium Optic



Shown with "D" Narrow Optic



Dimensions

Diameter (D)	5 3/4" (146mm)
Length (B)	8 7/8" (226mm)
Height (A)	1 1/2" (316mm)

General: The Rovin architectural LED wall cylinder provides up/down lighting with narrow, medium and wide light distributions. The Rovin is designed to replace HID lighting systems up to 100 watts. Typical installations include retail centers, schools and universities, office buildings, industrial parks, municipal transit, and medical centers. Mounting heights of 8 to 16 feet can be used based on light level and uniformity requirements.

Housing: Extruded round aluminum housing with integral heat sinks.

Finish: Textured architectural black or bronze powder coat finish over a chromate conversion coating. For custom colors, please consult factory.

Lens: Tempered clear flat glass lens.

Reflector: Narrow, Medium, and Wide distribution patterns.

Mounting: Mounts over a standard 4" recessed electrical box.

Wattage: Array: 40.0 watts System: 40.0 watts

Driver: Electronic Driver, 120v-277v, or 347v-480v, 50/60Hz; Total Harmonic Distortion (THD) <20% and power factor (PF) >0.90. Internal surge protection 6kV standard. 0-10V dimming standard for a dim range of 100% to 10%; dimming source current is 150 microamps.

Controls: Fixtures ordered with factory installed photocell or motion sensor control are internally wired for switching and/or 1-10V dimming within housing.

Certifications: CSA listed for wet locations
 ANSI/UL 1598, 8750
 IP66 Sealed LED Compartment
 Operating temperature: -40°C to +50°C



content of specification sheet is subject to change.

Fixture Type: _____

Model Number: _____

Project Name: _____



PHOTOMETRIC SPECIFICATIONS

Photometric Performance

LED Board Watts	Drive Current (mA)	Input Watts	Beam	4100 CCT 80 CRI					
				Lumens	LPW	B	U	G	
LED COB 40w	525	40	A Medium	4,398	110	2	5	0	
			B Wide	4,577	114	1	5	0	
			D Narrow	4,344	109	2	5	0	

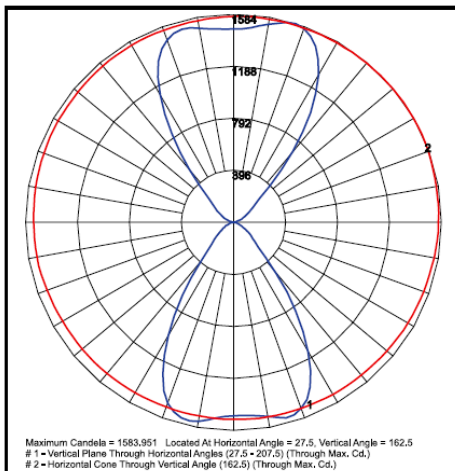
Projected Lumen Maintenance

Data shown for 4100 CCT	Compare to MH					
TM-21-11	Input Watts	Initial	25,000 Hrs	50,000 Hrs	100,000 Hrs	Calculated L70@ 25°C
L70 Lumen Maintenance @ 25°C / 77°F	40	1.00	0.92	0.83	0.66	89,000
TM-21-11	Input Watts	Initial	25,000 Hrs	50,000 Hrs	100,000 Hrs	Calculated L70@ 50°C
L70 Lumen Maintenance @ 50°C / 122°F	40	1.00	0.90	0.81	0.62	78,000
TM-21-11	Input Watts	Initial	25,000 Hrs	50,000 Hrs	100,000 Hrs	Calculated L80@ 40°C
L80 Lumen Maintenance @ 40°C / 104°F	40	1.00	0.93	0.86	0.72	72,000

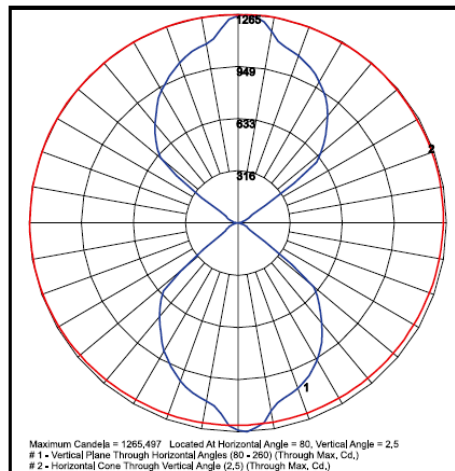
NOTES:

1. Projected per IESNA TM-21-11. Data references the extrapolated performance projections for the 525mA base model in a 25°C ambient, based on 10,000 hours of LED testing per IESNA LM-80-08.
2. Compare to MH box indicates suggested Light Loss Factor (LLF) to be used when comparing to Metal Halide (MH) systems.

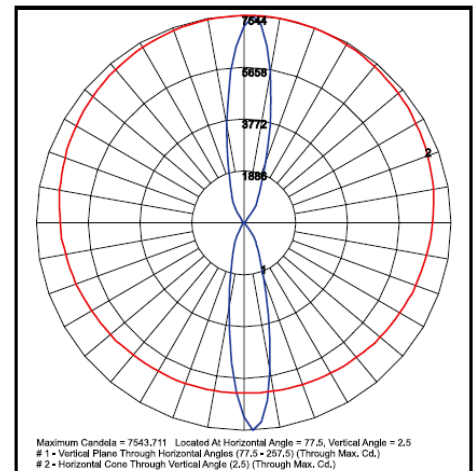
Photometric Data



RVN-WA-40LED-4K-A
70° Up / 70° Down Distribution



RVN-WA-40LED-4K-B
100° Up / 100° Down Distribution



RVN-WA-40LED-4K-D
30° Up / 30° Down Distribution



content of specification sheet is subject to change.

N60 W14592 Kaul Avenue
Menomonee Falls, WI 53051

P 877 965 0005
intrigueled.com

Fixture Type: _____

Model Number: _____

Project Name: _____



SERIES MOUNTING WATTAGE LED COLOR DISTRIBUTION OPTIONS VOLTAGE FINISH
RVN - WA - 40LED - 4K - - - - -

MODEL NUMBER DETAIL

SERIES	<input type="checkbox"/>	RVN	Rovin Up/Down Architectural LED Wall Cylinder
MOUNTING	<input type="checkbox"/>	WA	Straight Wall Arm Mount
WATTAGE	<input type="checkbox"/>	40LED	40-watt LED Module (2 x 20-watt)
LED COLOR (K)	<input type="checkbox"/>	4K	4100K
DISTRIBUTION	<input type="checkbox"/>	A	70° Up / 70° Down
	<input type="checkbox"/>	B	100° Up / 100° Down
	<input type="checkbox"/>	C	70° Up / 100° Down
	<input type="checkbox"/>	D	30° Up / 30° Down
	<input type="checkbox"/>	E	30° Up / 100° Down
	<input type="checkbox"/>	F	30° Up / 70° Down
	<input type="checkbox"/>	G	100° Up / 30° Down
	<input type="checkbox"/>	H	100° Up / 70° Down
	<input type="checkbox"/>	I	70° Up / 30° Down
OPTIONS	<input type="checkbox"/>	SF	Single Fuse
	<input type="checkbox"/>	DF	Double Fuse
	<input type="checkbox"/>	SP	Surge Protection
	<input type="checkbox"/>	P1	Photocell, 120V AC
	<input type="checkbox"/>	P2	Photocell, 120V-277V AC
	<input type="checkbox"/>	BU	Battery Backup; 90 minutes
VOLTAGE	<input type="checkbox"/>	UNV	Universal Voltage (120v-277v) (50/60Hz); electronic dimmable driver
	<input type="checkbox"/>	347V	347v-480v (50/60Hz); electronic dimmable driver
FINISH	<input type="checkbox"/>	BLK	Black
	<input type="checkbox"/>	BRZ	Bronze
	<input type="checkbox"/>	CC	Custom Color - Consult Factory



content of specification sheet is subject to change.

N60 W14592 Kaul Avenue
Menomonee Falls, WI 53051

P 877 965 0005
intrigueled.com

Jul-20