

Fixture Type: _____
 Model Number: _____
 Project Name: _____

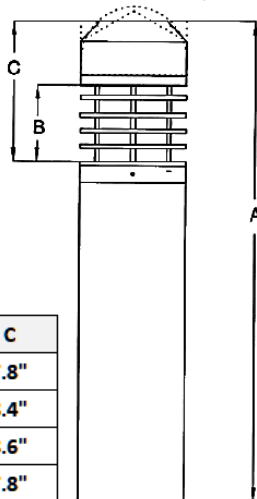


METRO

decorative round (6") bollard



SHOWN WITH FLAT TOP (-F) COVER
 AND OPAL GLASS (-OL) GLOBE



TOP STYLE	A	B	C
Beveled	39.9"	4.5"	7.8"
Cone	40.6"		8.4"
Dome	40.8"		8.6"
Flat	39.9"		7.8"

Note: standard 42" model dimensions.
 Deduct 12" from dimension "A" for 30" models.

6.30" (160 mm)

General: The Metro Bollard provides a contemporary style with its horizontal ring design. The fixture provides maximum output where high levels of light are required.

Exterior: Sand cast, marine-grade, low-copper content aluminum top, head, and mounting base. Extruded bollard tube constructed of aluminum alloy A-356 (.4% CU max) with a 0.150" thick wall. Stainless steel external hardware.

Globe: Heat-treated tempered glass globe with an overall height of 8.30". Available in clear(-CL) or opal(-OL).

Wattage: Available wattages: 15 watt, and 21 watt.
 Available color temperatures: 3000K, 4000K, and amber (590nm). CRI>70.

Driver: Constant current; maximum wattage = 40 watts; universal input voltage 120v-277v (50/60Hz); THD<20%. Power Factor >0.90. 0-10V dimming standard for a dim range of 100% down to 10%.

Heat Sink: Finned aluminum heat sink with black electrocoating securing heat sink to LED module.

Finish: Textured polyester powder coat finish. Black, bronze, gray, white, silver, and verde green available. Consult factory for custom finishes.

Gaskets: EPDM gaskets are standard.

Dimensions: 6.30" diameter standard with overall height (OAH) options of 30" and 42".
 For custom height options, consult factory.

Tops: Four top styles available: beveled (-B), cone (-C), dome (-D), and flat (-F).

Mounting: Mount bollard using the provided cast mounting base, template, and (4) 1/2" anchor bolts.

Options: Recessed outlet box/cover (-GFI)
 PIR Motion Sensor (-PIR)
 Houseside Shields (-180HSS and -270HSS)

Certification: ANSI/UL 1598, 8750
 Operating temperature: -40°C to +50°C

content of specification sheet is subject to change.



N60 W14592 Kaul Avenue
 Menomonee Falls, WI 53051

P 877 965 0005
 intrigueled.com

Mar-22

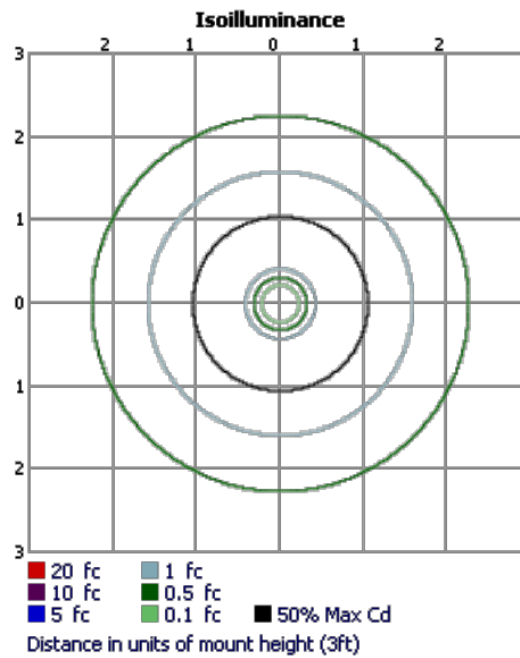
Fixture Type: _____
 Model Number: _____
 Project Name: _____



PHOTOMETRIC TECHNICAL DATA

Photometric Performance

Input Watts	Drive Current	Color Temperature	Optics	Lumens	LPW	CRI
15.0	700mA	3000K	louvered	1,401	93	70
		4000K		1,535	102	70
20.0	1050mA	3000K	louvered	2,006	100	70
		4000K		2,197	110	70
20.0	700mA	590nm (amber)	louvered	212	11	70



content of specification sheet is subject to change.

N60 W14592 Kaul Avenue
 Menomonee Falls, WI 53051

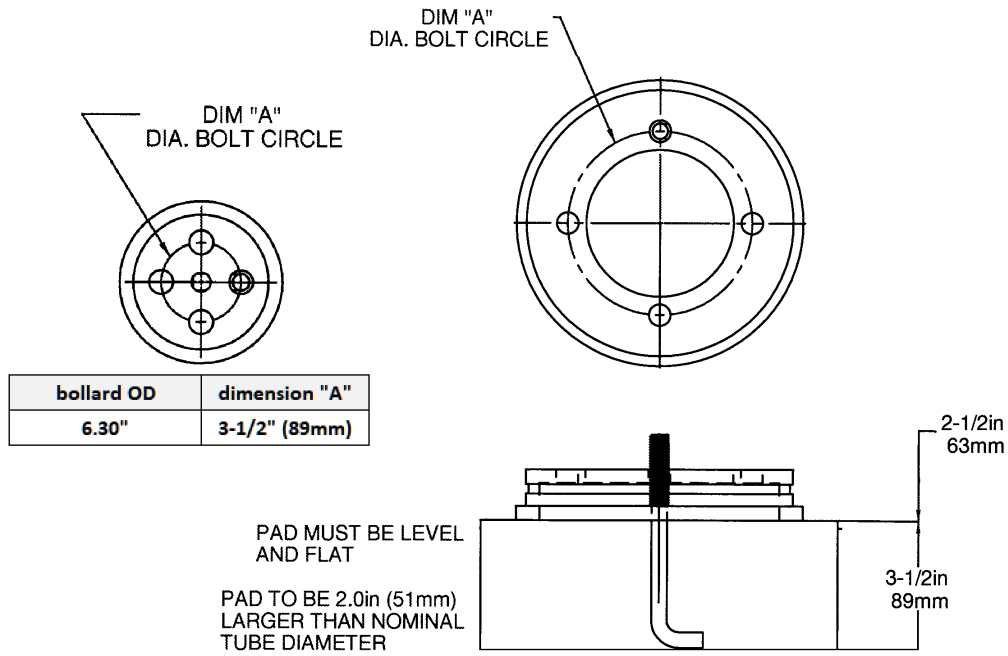
P 877 965 0005
intrigueled.com

Mar-22

Fixture Type: _____
 Model Number: _____
 Project Name: _____

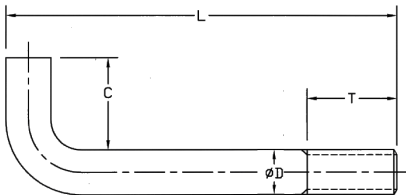


MOUNTING / INSTALLATION DETAIL



ANCHOR BOLT DETAIL | SET OF (4) PER MOUNTING KIT

mounting kit # 1090860



SIZE	L		C		T		D (min)
	in		in		in		in.
1/2-13X6X1X2	5.99	± 0.062	0.99	± 0.062	1.990	± 0.124	0.4435

content of specification sheet is subject to change.

N60 W14592 Kaul Avenue
 Menomonee Falls, WI 53051

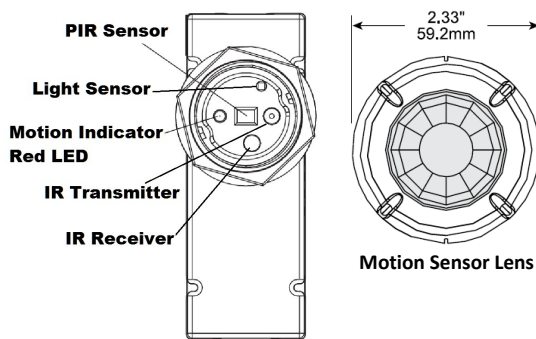
P 877 965 0005
 intrigueled.com

Mar-22

Fixture Type: _____
 Model Number: _____
 Project Name: _____

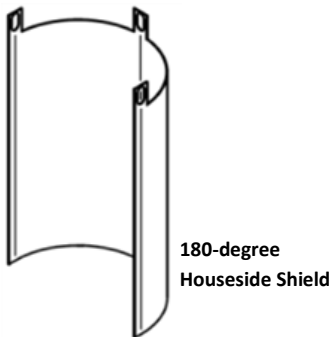
ACCESSORY / OPTION DETAIL

MOTION SENSOR (-MS)



PIR Motion Sensor (120v-277v only) option includes (1) passive infrared (PIR) sensor to detect motion. When motion is not detected for a 3-1/2 minute period, luminaire will automatically dim to 20% power and light. Once motion is detected, luminaire immediately ramps up to 100% power and light output until motion is not detected for another 3-1/2 minute period.

HOUSESIDE SHIELD (-HSS)



Asymmetric light distribution eliminates backlight in unwanted areas. Field adjustable shield constructed of sheet aluminum.

Available options: 180-degree houseside shield (-180HSS)
 270-degree houseside shield (-270HSS)

RECESSED RECEPTACLE BOX (-GFI)



Recessed receptacle outlet box mounted 16" on center from bottom of bollard tube. Cast aluminum outlet box internally welded and sealed with gasketed spring-loaded hinge cover. Cover shall be die cast metal construction with finish to match bollard.

Typical supplied cover will be lockable, single-gang weatherproof receptacle cover (Bell #MX1050S or similar); *rated for wet and damp locations when cover is closed*

content of specification sheet is subject to change.

Fixture Type: _____
 Model Number: _____
 Project Name: _____



SERIES	DIAMETER	MOUNTING	WATTAGE	COLOR (K)	TOP STYLE	GLOBE	OPTIONS	VOLTAGE	HEIGHT	FINISH
MT	6	B						UNV		

MODEL NUMBER DETAIL

SERIES	<input type="checkbox"/>	MT	Metro Series Decorative Round LED Bollard
DIAMETER	<input type="checkbox"/>	6	6.30" Outer Diameter
MOUNTING	<input type="checkbox"/>	B	Bollard Mount
WATTAGE	<input type="checkbox"/>	15LED	15-watt LED Module (@700mA)
	<input type="checkbox"/>	21LED	21-watt LED Module (@1050mA)
COLOR (K)	<input type="checkbox"/>	3K	3000K
	<input type="checkbox"/>	4K	4000K
	<input type="checkbox"/>	AML	Amber (590nm)
TOP STYLE	<input type="checkbox"/>	B	Beveled Top
	<input type="checkbox"/>	C	Cone Top
	<input type="checkbox"/>	D	Dome Top
	<input type="checkbox"/>	F	Flat Top
GLOBE	<input type="checkbox"/>	CL	Clear Glass Globe
	<input type="checkbox"/>	OL	Opal Glass Globe
OPTIONS	<input type="checkbox"/>	GFI	Receptacle Box with Cover for GFCI Outlet (<i>outlet by others</i>)
	<input type="checkbox"/>	MS	PIR Motion Sensor (120v-277v only)
	<input type="checkbox"/>	180HSS	180° Houseside Shield
	<input type="checkbox"/>	270HSS	270° Houseside Shield
VOLTAGE	<input type="checkbox"/>	UNV	Universal Voltage (120v-277v) (50/60Hz); constant current dimmable driver
HEIGHT	<input type="checkbox"/>	30	30" Overall Height
	<input type="checkbox"/>	42	42" Overall Height
	<input type="checkbox"/>	CH	Custom Height - Consult Factory
FINISH	<input type="checkbox"/>	BLK	Black
	<input type="checkbox"/>	BRZ	Bronze
	<input type="checkbox"/>	GRY	Grey
	<input type="checkbox"/>	SIL	Silver
	<input type="checkbox"/>	VGN	Verde Green
	<input type="checkbox"/>	WHT	White
	<input type="checkbox"/>	CC	Custom Color - Consult Factory

content of specification sheet is subject to change.

N60 W14592 Kaul Avenue
 Menomonee Falls, WI 53051

P 877 965 0005
intrigueled.com

Mar-22