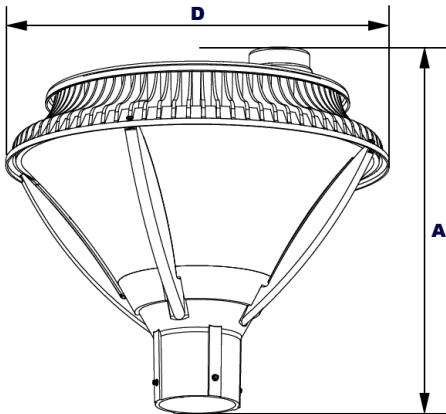


Fixture Type: _____
 Model Number: _____
 Project Name: _____



REVELA SMALL

Decorative Lensed Round Pole Mount



Dimensions		EPA (Sq. Ft.)	Weight (Lbs.)
Diameter (D)	16 1/8" (411mm)	0.68	14 Lbs
Height (A)	14 7/8" (378mm)		

General: The Revela Small Lensed architectural round pole mount is available with two lens options and a Type V distribution. Designed to replace HID systems up to 250 watts, typical installations include parking areas, walkways, and street lighting applications. Mounting heights of 12' to 20' can be used based on light level and uniformity requirements.

Exterior: Die-cast aluminum housing with integral heat sink.

Wattage: 37w Array/39w System (070-150 HID Equivalent)
 65w Array/68w System (150-250 HID Equivalent)
 84w Array/86w System (150-250 HID Equivalent)

Driver: Constant current electronic driver, 120V-277V, 50/60Hz or 347-480V, 50/60Hz; <20% THD; PF>0.90. Internal surge protection 6kV standard. 0-10V dimming standard for dimming range of 100% to 10%; dimming source current 150 microamps.

Lens: Clear UV-stabilized polycarbonate inner lens seals LED array. Prismatic, vandal-resistant, UV-stabilized polycarbonate outer conical lens available in clear or translucent.

Finish: Textured architectural bronze or black powdercoat finish over a chromate conversion coating. Consult factory for custom finishes.

Mount: Accommodates 2-7/8" x 3" pole top tenon.

Controls: Fixtures ordered with factory-installed photocell or motion sensor controls are internally wired for switching and/or 1-10V dimming within the housing. Remote direct wired interface of 1-10V dimming is not implied and may not be available, please consult factory. Fixtures are tested with factory controls and may not function properly with controls supplied by others. *Fixtures are NOT designed for use with line voltage dimmers.*

Certifications:
 CSA listed for Wet Locations
 ANSI/UL 1598, 8750
 IP66 Sealed LED Compartment
 Operating temperature: -40°C to +50°C



content of specification sheet is subject to change.

N60 W14592 Kaul Avenue
 Menomonee Falls, WI 53051
 P 877 965 0005
intriguelighting.com

Sep-21

Fixture Type: _____
 Model Number: _____
 Project Name: _____



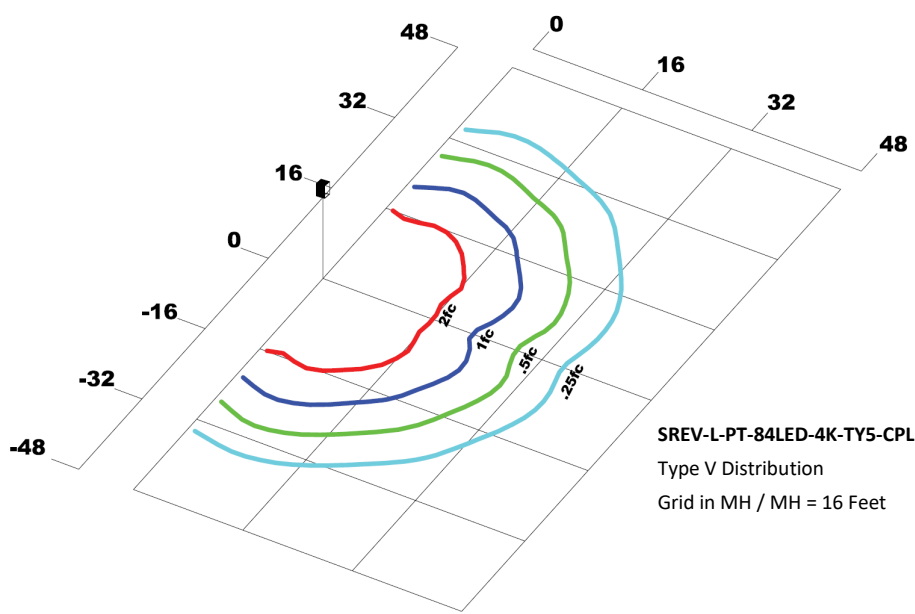
PHOTOMETRIC TECHNICAL DATA

Projected Lumen Maintenance

Data shown for 5000 CCT		Compare to MH				
TM-21-11	Input Watts	Initial	25,000 Hrs	50,000 Hrs	100,000 Hrs	Calculated LED Life
L70 Lumen Maintenance @ 25°C / 77°F	All wattages up to and including 86w	1.00	0.98	0.97	0.94	473,000
L70 Lumen Maintenance @ 50°C / 122°F		1.00	0.97	0.95	0.90	290,000
L80 Lumen Maintenance @ 40°C / 104°F		1.00	0.98	0.95	0.91	220,000

NOTES:
 1. Projected per IESNA TM-21-11. Data references the extrapolated performance projections for the 525mA base model in a 25°C ambient, based on 10,000 hours of LED testing per IESNA LM-80-08.
 2. Compare to MH box indicates suggested Light Loss Factor (LLF) to be used when comparing to Metal Halide (MH) systems.

LED Board Watts	Drive Current (mA)	Input Watts	Optics	3000 CCT 80 CRI				4000 CCT 80 CRI					
				Lumens	LPW	B	U	G	Lumens	LPW	B	U	G
37w	525	39	Type V Clear	2,856	73	2	2	1	2,987	77	2	2	1
			Type V Opal	2,441	63	2	2	1	2,554	65	2	2	1
84w	525	86	Type V Clear	6,483	75	2	2	1	6,781	79	2	2	1
			Type V Opal	5,542	64	2	2	1	5,798	65	2	2	1



SREV-L-PT-84LED-4K-TY5-CPL
 Type V Distribution
 Grid in MH / MH = 16 Feet



content of specification sheet is subject to change.

N60 W14592 Kaul Avenue
 Menomonee Falls, WI 53051

P 877 965 0005
intrigued.com

Fixture Type: _____
 Model Number: _____
 Project Name: _____



SERIES	STYLE	MOUNTING	WATTAGE	COLOR (K)	DISTRIBUTION	OUTER LENS	OPTIONS	VOLTAGE	FINISH
SREV	L	PT			TY5				

MODEL NUMBER DETAIL

- SERIES**
 - SREV** Small Revela LED Pole Mount

- STYLE**
 - L** Lensed (*clear, UV-stabilized, conical, outer polycarbonate lens*)

- MOUNTING**
 - PT** Post Top (2-7/8" OD x 3" Tenon)

- WATTAGE**
 - 37LED** 37-watt LED Module
 - 65LED** 65-watt LED Module
 - 84LED** 84-watt LED Module

- COLOR (K)**
 - 3K** 3000K (*37-watt and 84-watt versions only*)
 - 4K** 4000K

- DISTRIBUTION**
 - TY5** Type V Distribution

- OUTER LENS**
 - CPL** Clear Polycarbonate Outer Lens
 - OPL** Opal (translucent) Polycarbonate Outer Lens

- OPTIONS**
 - SF** Single Fuse**
 - DF** Double Fuse**
 - SP** Surge Protection
 - S2** Microwave Sensor with Dimming** (*mounting heights of 8' to 40'*)
 - S4** Microwave On/Off Sensor with No Dimming** (*mounting heights of 8' to 19'*)
 - R3** 3-Pin Twist Lock Photocell Receptacle
 - R5** 5-Pin Twist Lock Photocell Receptacle
 - R7** 7-Pin ANSI C136.41-2013 Twist Lock Photocell Receptacle

** 120v-277v models only

- VOLTAGE**
 - UNV** Universal Voltage (120v-277v) (50/60Hz)
 - 347V** 347 Volt - 480 Volt (50/60Hz)

- FINISH**
 - BLK** Black
 - BRZ** Bronze
 - CC** Custom Color - Consult Factory

content of specification sheet is subject to change.

N60 W14592 Kaul Avenue
 Menomonee Falls, WI 53051

P 877 965 0005
intrigueled.com

Sep-21