

JOB NAME _____

CONTACT _____

ORDERING CODE _____



Z15 LED Track Spot Xicato

XICATO



XICATO XTM MODULE - ORDERING CODES		
PART NUMBER	350420	
LED	XTM19	XICATO XTM 19mm
DELIVERED LUMENS	11LM 13LM ¹ 16LM 20LM ¹	835 lm 950 lm 1160 lm 1470 lm Standard Configuration: 3000K 83CRI SA20
CCT	27K 30K 35K 40K	2700K 3000K 3500K 4000K
CRI	83 98	83 CRI 98 CRI
REFLECTOR & LUMEN MULTIPLIER	SSA20 SSA40 SSA60 SA20 SA40 SA60 DA20 DA40 DA60	20° semi-specular (0.92) 40° semi-specular (0.82) 60° semi-specular (0.93) 20° specular (1.00) 40° specular (1.00) 60° specular (0.99) 20° diffused (0.86) 40° diffused (0.88) 60° diffused (0.89) 10° narrow beam angle, see page 2 for details.
VOLTAGE	120	120V
DIMMING	ELV	10% trailing edge dimming
FINISH	BK WH MC	black white matte chrome
MOUNTING OPTIONS	ECOBK ECOWH ECOMC GEOBK GEOWH GEOHC ZONMC	ECO/HALO black ECO/HALO white ECO/HALO matte chrome GEO black GEO white GEO matte chrome Zonyx matte chrome
LITE OPTICS	CLR	standard snoot / lens

ORDERING CODE _____

Follow the steps to specify your fixture, example:
350420 - XTM19 - 20LM - 35K - 83 - SSA20 - 120 - ELV - MC - GEOMC - CLR

XTM19 (LED)	POWER	
	W (83 CRI)	W (98 CRI)
835	13	14
950	15	N/A
1160	16	18
1470	18	N/A

Power Factor ≥ 0.9

NOTES
1. 13LM and 20LM not available in 98 CRI.

DESCRIPTION
Z15 is a performance spot fixture in a par20 cylinder form factor integrated with industry best LEDs up to 1470 lm. Z15 has many options for most applications and carries the first 5 Year NO COLOR SHIFT AND FIXTURE WARRANTY.

HOUSING
- Extruded aluminum housing with white, matte chrome or black finish

MOUNTING
- Global Trac Systems, GEO track, ECO track / HALO® Power Trac track, and Zonyx track

LISTINGS
- ETLus Listed to UL1574 (track suitable for dry locations only)
- cETL Listed to CSA C22.2 #9.0
- Made in the USA - meets the requirements of the Buy American provision within the ARRA

LED INFO
- XICATO XTM:
SDCM = 1x2 MacAdam Ellipse, Duv +/- 0.001, Lumen Maintenance: L₉₀ > 55,000 hrs

10° NARROW BEAM - ORDERING CODES

PART NUMBER	350420	
LED	XTM09	XICATO XTM 9mm
DELIVERED LUMENS	12LM	900 lm
CCT	27K 30K 35K 40K	2700K 3000K 3500K 4000K
CRI	83	83 CRI
REFLECTOR	SA10	specular, 10°
VOLTAGE	120	120V
DIMMING	ELV	10% trailing edge dimming
FINISH	BK WH MC	black white matte chrome
MOUNTING OPTIONS	ECOBK ECOWH ECOMC GEOBK GEOWH GEOHC ZONMC	ECO/HALO black ECO/HALO white ECO/HALO matte chrome GEO black GEO white GEO matte chrome with black cable Zonyx matte chrome
LITE OPTICS	CLR	standard snoot / lens

ORDERING CODE

Follow the steps to specify your fixture, example:
350420 - XTM09 - 12LM - 35K - 83 - SA10 - 120 - ELV - MC - GEOMC - CLR

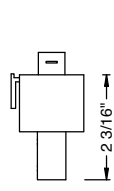
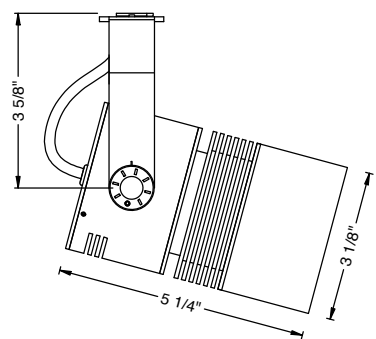
XTM09 (LED)	POWER
DELIVERED LM	W (83 CRI)
900	16

Power Factor ≥ 0.9

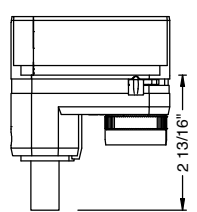
MOUNTING OPTIONS

Mounting Options

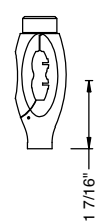
- ECOBK** ECO/HALO black
- ECOSV** ECO/HALO matte chrome
- ECOWH** ECO/HALO white
- GEOBK** GEO black
- GEOSV** GEO matte chrome
- GEOWH** GEO white
- ZONMC** Zonyx matte chrome



ECO/HALO



GEO



ZON

ACCESSORIES

- 900300BK snoot, black
- 900300MC snoot, matte chrome
- 900300WH snoot, white
- 900310 louver, black
- 900305BK barn doors, black
- 900320 linear lens
- 900321 diffuser lens
- 900322 frosted lens

Notes

1. Barn Doors Requires 900300 Snoot Accessory.



*shown with no accessory



Snoot



Louver



Barn Doors



900321

900322

900320

Lens Options