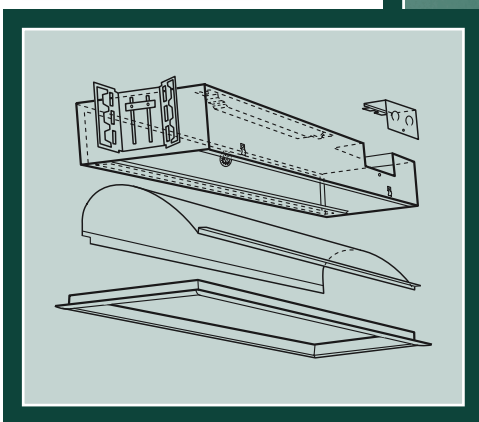
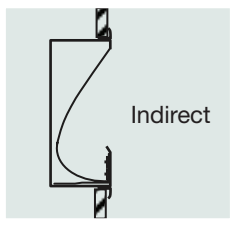
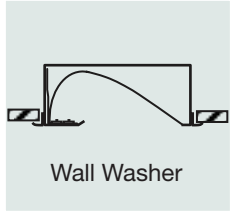


ELP

ENGINEERED LIGHTING
PRODUCTS

AK LED SERIES

RECESSED Wall Washer
for Plaster or Drywall



Ideal placement is 24" to 36" from the front edge of fixture to the surface you are lighting, for 8' to 12' ceilings.

System

Shallow, high performance LED wall wash fixtures with exceptional shielding. The indirect design shields the LED from view at any angle. The shallow 3-1/2" housing also allows wall installation in a standard 4" wall to wash the ceiling or floor with light. The formed, high purity aluminum reflectors provide even, unscalped illumination with no glare.



TYPE:
CATALOG #:
JOB:

AK LED SERIES

RECESSED Wall Washer
For Plaster or Drywall

Specifications

Recessed, high performance LED wall washer. The 1' fixture utilizes one or two high efficacy, LED modules at 11 or 22 watts. The 2' utilizes two or four modules at 22 or 44 watts, the 3' utilizes three or six modules at 33 or 66 watts, and the 4' is available with four or eight modules at 44 or 88 watts. 8' fixtures are available, call factory. The formed reflector is high purity aluminum (99.9%) with 97% reflectance. It is easily removable without tools for access to the driver and wiring. Indirect design shields the LEDs from all viewing angles. It utilizes the Osram PrevaLED® array, LED modules that are 80+ CRI and are rated greater than 60,000 hours.

The shallow 3-1/2" fixture may be recessed into a standard 4" wall to wash the ceiling or floor with light. By lining the "wall recess" with gypsum, the wall installation may also be modified to maintain a one hour fire rating (SEE INSTRUCTIONS).

TGIC polyester powder-coated housing is post painted and made of 22 gauge CRS with cover and knock-outs that provide quick wire access to the side or back of the fixture for through wiring. All fixtures are supplied with Luminaire Disconnect. The fixture has extruded aluminum trim.

Continuous Mount – If the fixtures are being mounted in a continuous row, add "CC" (if in ceiling) or "CW" (if in wall) to the catalog number and provide row configuration, so proper trims may be provided, i.e., (18) 444W1WW-AK-CC for (6) 12' rows.

Rough-In Dimensions = (Entire length of row, add all "B" lengths + 1/2") x 9-1/8"

Dimensions do not apply to Trimless installations.

c/CSA/us Damp Location Listed, IC Rated – Made in the USA

U.S. Patent #9,726,337

Options

Driver 120/277 0-10 volt, Osram OT True 1% Dim (Standard)
With End Of Life Indicator -EOL
With Soft Start -SFT
With Dim To Off -DTO

For Alternate Dimming:

3-wire/Digital, Lutron ECO Systems L3D 1% -DM6
2-wire, Lutron LTE 1% (120 only) -DM7
Digital, Lutron LDE 1% -DM8
LDE Standard Features include Soft-On,
Fade to Black and Guaranteed 1% Dimming
Lower Lumen Output (All Driver Options) -LL***

Finish White (Standard)
Anti-Microbial White -MB
Custom -Custom

Wireless Osram Sylvania Connected Lighting
Module -WLMS***

LED 2700K -27K (90+CRI) ▲
3000K -30K
3500K -35K (Must Specify Color)
4000K -40K
5000K -50K***

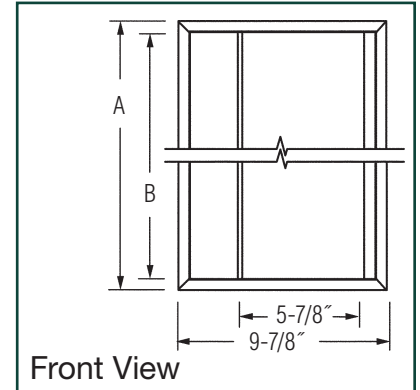
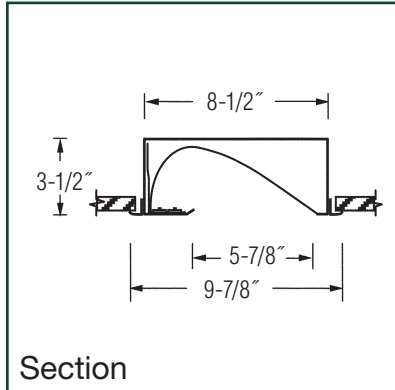
Reflector Diffuse Silver 97 (Standard)
Stepped Diffuse Silver -ST 1
Painted White -W 1

Lens Clear Mini Lens -ML
Frosted Mini Lens -MLF 1
Clear Full Lens -FL †**
Frosted Full Lens -FLF †**
Full Face Clear Lens Plate -FFLP ‡
w/Captive Screws for -FFLP-WS ‡

Louver Diffuse Silver Parallel Blade -LV

Trimless Gypsum/Drywall Installation -TLD
Plaster Installation -TLP
(See TRIMLESS sheet for dimensions)

Hospital Hospital Grade Features -HG
(FFLP Lens, Gasket; Anti-Microbial Paint)



Model No.	A	B	Rough-In 9-1/8"x	Lamp	***Fixture Lumens
111W1WW-AK-(*K)	13-3/8"	12"	12-1/2"	(1)10.8w LEDs	1505
222W1WW-AK1-(*K) ▲	13-3/8"	12"	12-1/2"	(2)10.8w LEDs	3010
222W1WW-AK-(*K)	24-5/16"	22-15/16"	23-1/2"	(2)10.8w LEDs	3010
444W1WW-AK2-(*K) ▲	24-5/16"	22-15/16"	23-1/2"	(4)10.8w LEDs	6019
333W1WW-AK-(*K)	37-3/8"	36"	36-1/2"	(3)10.8w LEDs	4514
666W1WW-AK-(*K) ▲	37-3/8"	36"	36-1/2"	(6)10.8w LEDs	9029
444W1WW-AK-(*K)	48-5/16"	46-15/16"	47-1/2"	(4)10.8w LEDs	6019
888W1WW-AK-(*K) ▲	48-5/16"	46-15/16"	47-1/2"	(8)10.8w LEDs	12038

444W1WW-AK2-35K														(2) Fixtures		Light Levels on the Wall	
6" O.C. / 36" to Wall																	
38	74	123	147	132	92	74	92	132	147	123	74	38			8' Ht.		
38	63	91	107	99	82	74	82	99	107	90	63	38					
47	70	94	107	105	94	88	94	105	107	94	70	47					
44	61	77	86	87	83	81	83	87	86	77	61	44					
37	49	59	65	68	67	67	67	68	65	59	49	37					
30	38	44	49	51	52	52	52	51	49	44	38	30					
24	29	33	36	39	40	40	40	39	36	33	29	24					
14'																	

IES File #444W1WW-AK2-35 - Maintained Light Levels

** Full Lens Option is held with screws for Continuous Mount and not available for Trimless option.

*** Consult Factory.

† Adds 1/8" to overall Length & Width dimensions.

‡ Adds 1" to overall Length & Width dimensions and is not available for Continuous Mount or Trimless.

1 To eliminate a clear lamp image in Up light installations that may occur at certain viewing angles, we suggest you use a White or Stepped reflector, OR standard reflector with Frosted Mini Lens.

▲ Models with this symbol are California Title 24 compliant and are the only ones with a 27K option.

Note: All LED luminaires are provided standard with dimming and have a 5 year warranty.