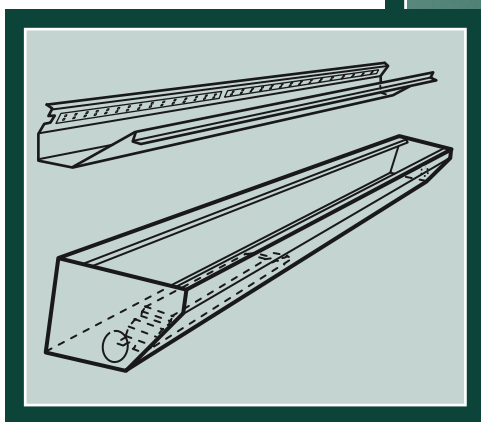
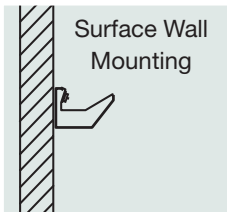


ELP

ENGINEERED LIGHTING
PRODUCTS

CLM LED SERIES

SURFACE Mount Mini Cove Light



*Ideal mini cove light for a narrow
or pre-fabricated cove.*

System

Mini, high performance LED cove fixture is made to lay directly into your narrow or prefabricated cove shelf. The one piece reflector design illuminates the cove and minimizes shadows. By projecting light out of the cove and into the space for general illumination, they provide far superior performance than a typical "strip light" or LED tape.



TYPE:
CATALOG #:
JOB:

Specifications

Mini surface mounted LED cove light. The 2' unit utilizes two high efficacy, LED modules at 22 watts. The 3' utilizes three modules at 33 watts and the 4' is provided with four modules at 44 watts. Fixtures may be special ordered in 8' lengths with eight modules at 88 watts (call factory). Units are provided standard with dimming. They utilize the Osram PrevaLED® array, LED modules that are 80+ CRI and are rated greater than 60,000 hours. The fixture is 2-3/4" deep with driver mounted in the housing. The one piece, formed reflector is TGIC polyester powder coated in high reflectance matte white and is easily removable without tools for access to driver and wiring. White reflector design illuminates the cove and minimizes unsightly shadows between fixtures while projecting light out of the cove and into the space for general illumination. These compact fixtures are intended for installation in small coves (by others) but may also be ordered in a surface version that mount directly to the wall. Surface, wall mount style is provided with a clean, textured finish housing with no visible openings and knock outs at the back. If mounting surface wall mount fixtures in a continuous row, provide row lengths so through wiring holes may be provided at interior joints.

The 22 gauge housing is post painted with TGIC polyester powder coating and has knock-outs provided at each end of fixture to allow for through wiring. All fixtures are supplied standard with Luminaire Disconnect.

c/CSA/us Damp Location Listed – Made in the USA

U.S. Patent #9,726,337

Options

Driver 120/277 0-10 volt, Osram OT True 1% Dim (Standard)
With End Of Life Indicator -EOL
With Soft Start -SFT
With Dim To Off -DTO

For Alternate Dimming:

3-wire/Digital, Lutron ECO Systems L3D 1% -DM6
2-wire, Lutron LTE 1% (120 only) -DM7
Digital, Lutron LDE 1% -DM8
LDE Standard Features include Soft-On,
Fade to Black and Guaranteed 1% Dimming
Lower Lumen Output (All Driver Options) -LL***

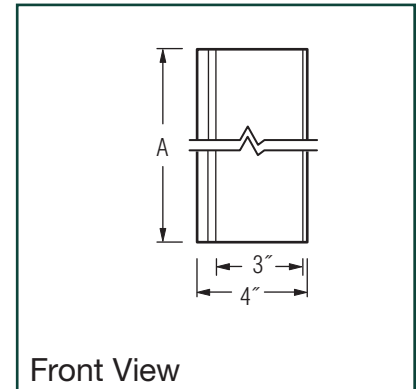
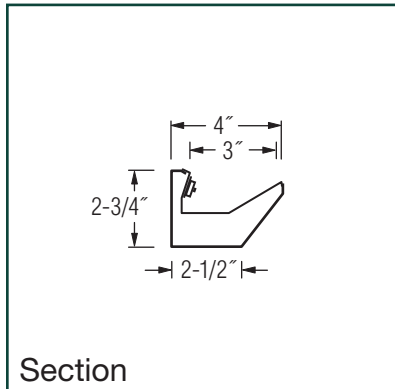
Finish White (Standard)
Anti-Microbial White -MB
Custom (for "-SW" Wall Mount -Custom)

Wireless Osram Sylvania Connected Lighting
Module -WLMS***

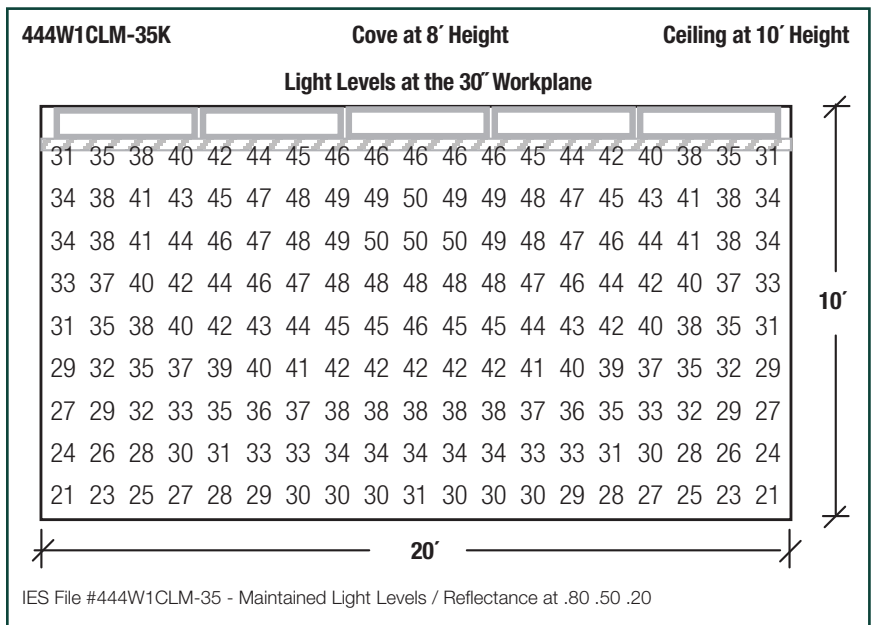
LED **Must Specify ***
2700K -27K (90+CRI) ▲
3000K -30K
3500K -35K
4000K -40K
5000K -50K***

Lens Clear Acrylic Full Lens -FL
Frosted Acrylic Full Lens -FLF

Mounting Within Cove (Standard)
Adjustable (Call factory) -AD
Surface Wall Mount -SW
Surface Wall Mount Continuous Row -SWCC
(Must provide length of "SW" continuous rows)



Model No.	A	Lamp	**Fixture Lumens
222W1CLM-(*K)	22-1/2"	(2)10.8w LEDs	2578
333W1CLM-(*K)	34-5/16"	(3)10.8w LEDs	3868
444W1CLM-(*K)	46-1/8"	(4)10.8w LEDs	5157



*** Consult Factory.

▲ Models with 2700K lamps, 222W1CLM-27K, 333W1CLM-27K and #444W1CLM-27K are California Title 24 compliant.

Note: All LED luminaires are provided standard with dimming, and have a 5 year warranty.