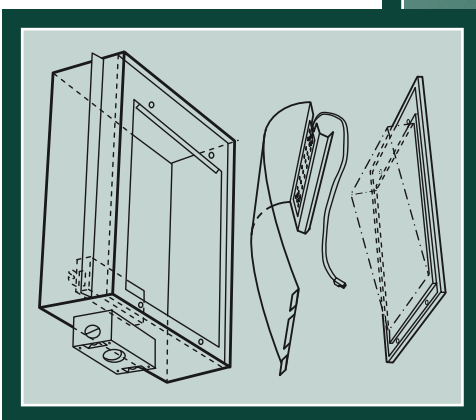
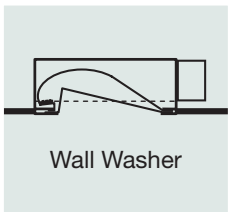
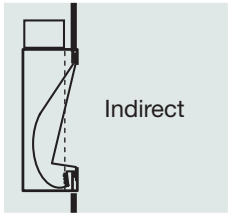


ELP

ENGINEERED LIGHTING
PRODUCTS

CP LED SERIES

RECESSED Exterior or Concrete Pour
Low Level Floodlight



*Ideal placement is 18" to
36" from the bottom edge
of fixture to the ground.*

System

Wet Location low level floodlights. Shallow recess depth (4") allows easy incorporation into exterior walls. Their unique Regress Lens design provides very low brightness. Indirect LED lamps combined with the high purity aluminum reflector system provides high light levels with low energy.



CP LED SERIES

TYPE:
CATALOG #:
JOB:

**RECESSED Exterior or Concrete Pour
Low Level Floodlight**

Specifications

Recessed wet location low level floodlight with LED lamps. The 1' fixture utilizes one high efficacy, LED module at 11 watts and the 2' utilizes two modules at 22 watts. Fixtures utilize Osram PrevaLED® arrays that are 80+ CRI and rated greater than 60,000 hours. The one piece, formed reflector is high purity aluminum (99.9%) with 97% reflectance. Combined with LED lamps, the reflector system provides high light levels and a wide throw of light with low energy.

Housing is made of 18 gauge electro-plated galvanized steel, which is post painted with a primer coat of 3M™ ScotchKote™. The fusion bonded epoxy primer protects metal from corrosion. Then the housing is TGIC polyester powder coated, making it suitable for recessed exterior or concrete pour. Formed aluminum face plate attaches with screws and recesses in the housing to mount flush with the finish surface. The face plate has a gasketed 3/16" acrylic regressed lens. The regressed lens design provides very low brightness. Attached J-Box suitable for through wiring. Contact factory for Knock-Out option without J-Box. All fixtures are supplied standard with Luminaire Disconnect.

c/CSA/us Wet Location & Concrete Pour Listed, IC Rated – Made in the USA

U.S. Patent #9,726,337

Options

Driver 120/277 0-10 volt, Osram OT True 1% Dim (Standard)
With End Of Life Indicator -EOL
With Soft Start -SFT
With Dim To Off -DTO

For Alternate Dimming:

3-wire/Digital, Lutron ECO Systems L3D 1% -DM6
Digital, Lutron LDE 1% -DM8
LDE Standard Features include Soft-On,
Fade to Black and Guaranteed 1% Dimming
Lower Lumen Output (222W1 model only) -LL***

Wireless Osram Sylvania Connected Lighting Module -WLMS***

LED **Must Specify ***

3000K -30K
3500K -35K
4000K -40K
5000K -50K***

Finish Black (Standard)
Bronze -BZ
Custom -Custom

Fixture Electro-Plated Galvanized Steel (Standard)
Stainless Steel -SS

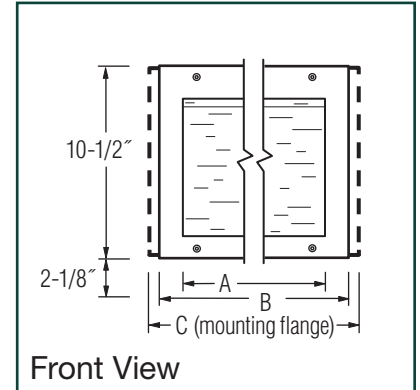
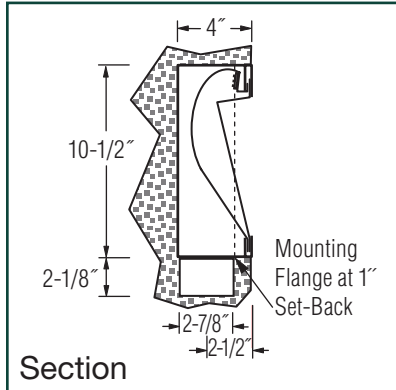
Lens Regressed Acrylic (Standard)
Regressed Polycarbonate -LEX
Flat Acrylic -FL
Flat Polycarbonate -FL-LEX
Flat Tempered Glass -TLG

Reflector Diffuse Silver 97 (Standard)
Stepped Diffuse Silver -ST

LEED NOTE: CP Series fixtures have a B0-U2-G1 BUG rating (rates amount of Back light, Up light and Glare) and in Zones L22 thru L24 can contribute to:

LEED Sustainable Site Credit 8 (SS8):

Light Pollution Reduction – 1 point



Model No.	A	B	C	Lamp	**Fixture Lumens
111W1CP-(*)K	7-7/8"	10-7/8"	11-3/4"	(1) 10.8w LEDs	799
222W1CP-(*)K	22-1/4"	25-3/8"	26-3/8"	(2) 10.8w LEDs	1598

111W1CP-30K											(2) Fixtures		Light Levels on the Ground	
											12' O.C. / 30' from Ground to Lamp			
.9	7.3	23.8	7.3	.9	.3	.9	7.3	23.8	7.3	.9				
3.2	15.8	37.6	15.8	3.4	1.3	3.4	15.8	37.6	15.8	3.2				
3.9	12.6	23.0	12.6	4.3	2.3	4.3	12.6	23.0	12.6	3.9				
3.3	8.0	11.9	8.2	3.8	2.5	3.8	8.2	11.9	8.0	3.3				
2.5	4.8	6.5	5.0	3.0	2.3	3.0	5.0	6.5	4.8	2.5				
1.8	3.1	3.8	3.2	2.3	1.9	2.3	3.2	3.8	3.1	1.8				
1.3	2.0	2.4	2.2	1.7	1.5	1.7	2.2	2.4	2.0	1.3				
1.0	1.4	1.6	1.5	1.3	1.2	1.3	1.5	1.6	1.4	1.0				
.7	1.0	1.1	1.1	1.0	1.0	1.0	1.1	1.1	1.0	.7				
.6	.7	.8	.8	.8	.8	.8	.8	.8	.7	.6				

IES File #111W1CP-WLS-30 - Maintained Light Levels

*** Consult Factory.

Note: All LED luminaires are provided standard with dimming driver with -20° starting and have a 5 year warranty.