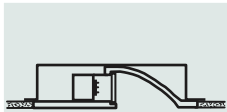


ELP

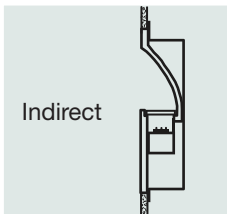
ENGINEERED LIGHTING
PRODUCTS

HITW-EX LED SERIES

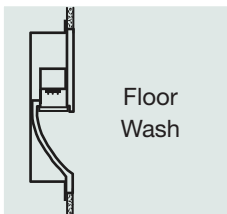
RECESSED Hole In The Wall Light Niche
For Exterior Stucco or Concrete Pour Construction



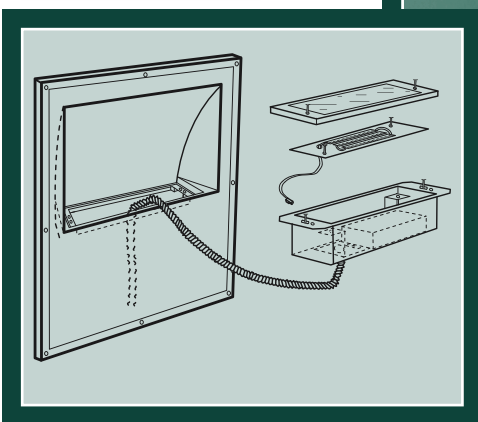
Sign/Wall Washer



Indirect



Floor
Wash



*Ideal placement is 18" to 30"
from the bottom edge of
fixture to the ground.*

System

Wet Location low level floodlights. These FRP (Fiber Reinforced Polymer) cast composite fixtures become part of the architecture. Shallow recess depth (4") allows easy incorporation into exterior walls. Once installed, they look like a custom formed "light niche" that blends with any exterior motif.



HITW-EX LED SERIES

TYPE:
CATALOG #:
JOB:

RECESSED Hole In The Wall Light Niche
For Exterior Stucco or Concrete Pour Construction

Specifications

Recessed fixture for use with LED lamping options. The cast fixture houses an electrical box holding the electrical components and LEDs. All fixtures are supplied standard with Luminaire Disconnect.

Casting is secured to the 20 gauge electro-plated galvanized steel fixture back box and an 18 gauge electro-plated galvanized steel frame with lens and silicone gaskets seal the electrical compartment.

Frame, electrical box, and fixture back box with knock-outs for wiring are post painted white with a TGIC polyester powder coat. Composite casting is water and high impact resistant. Use "Weld-crete" to finish surface to match exterior stucco.

c/CSA/us Wet Location & Concrete Pour Listed. IC Rated. Made in the USA

Options

LED Type Integral ▲
Line voltage integral LED boards. Available in 120 or 277 volt with 50,000 hours rated life. (#11WA2-HITX-EX-4x6 120v only)

HF2 Stick ◆
Osram HF2 Narrow Stick LED modules that Are 85+ CRI with 50,000 hours rated life. 120/277 volt

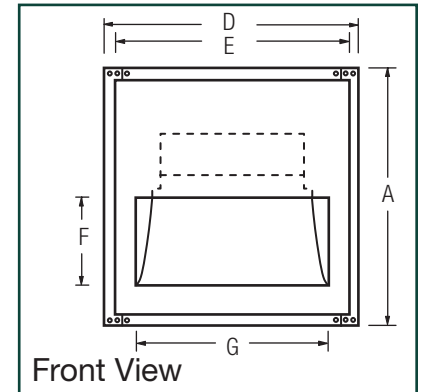
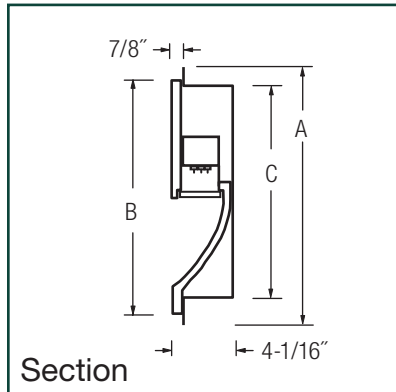
LED Color **Must Specify ***
2700K -27K
3000K -30K
3500K -35K
(#11WA2-HITX-EX-4x6 = 35K/Amber only)
4000K -40K

Lens Supplied Standard as shown:
① Frosted Acrylic -FLF (Some Models)
② Frosted Polycarbonate -FLF-LEX (Some Models)
③ Frosted Tempered Glass -TGLF (Standard for 4x6 Models)

1 OLD Part number: #11C-HITW-EX-4x6

Note: BUG Ratings for LEEDs consideration:

#11W1-HITW-EX-4x6	B0-U0-G0
#36W1-HITW-EX-8x8	B0-U2-G1
#312W1-HITW-EX-8x8	B0-U3-G1
#36W1-HITW-EX-6x13	B0-U2-G1
#312W1-HITW-EX-6x13	B0-U3-G1



Model No.	A	B	C	D	E	F	G	Lens	Lamp	Fixture Lumens
11W1-HITW-EX-4x6-(*K)▲	13-1/2"	12"	10"	10-1/8"	8-5/8"	4"	5-5/8"	③	1 w LED	40
36W1HITW-EX-8x8-(*K)◆	17-1/2"	16"	14-1/4"	17-1/2"	16"	8"	8"	①	2 w LEDs	138
312W1HITW-EX-8x8-(*K)◆	17-1/2"	16"	14-1/4"	17-1/2"	16"	8"	8"	①	4 w LEDs	276
36W1HITW-EX-6x13-(*K)◆	17-1/2"	16"	14-1/4"	17-1/2"	16"	6"	13"	①	2 w LEDs	138
312W1HITW-EX-6x13-(*K)◆	17-1/2"	16"	14-1/4"	17-1/2"	16"	6"	13"	①	4 w LEDs	276

312W1HITW-EX6X13-30K									
(2) Fixtures									
Light Levels on the Ground									
10' O.C. 24" above Ground to Lamp									
10'									
0.2	3.5	32.7	3.5	0.2	0.2	3.5	32.7	3.5	0.2
0.5	3.5	11.2	3.5	0.6	0.6	3.5	11.2	3.5	0.5
0.5	2.0	3.8	2.0	0.6	0.6	2.0	3.8	2.0	0.5
0.4	1.1	1.6	1.1	0.5	0.5	1.1	1.6	1.1	0.4
0.3	0.7	0.9	0.7	0.4	0.4	0.7	0.9	0.7	0.3
0.2	0.4	0.5	0.5	0.4	0.4	0.5	0.5	0.4	0.2
0.2	0.3	0.3	0.3	0.3	0.3	0.3	0.3	0.3	0.2
0.1	0.2	0.2	0.2	0.2	0.2	0.2	0.2	0.2	0.1
0.1	0.1	0.2	0.2	0.2	0.2	0.2	0.2	0.1	0.1
0.1	0.1	0.1	0.1	0.1	0.1	0.1	0.1	0.1	0.1

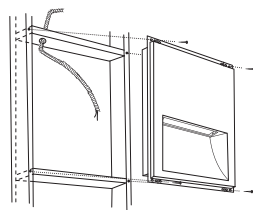
IES File #312W1HITWEX6X13_30 - Maintained Light Levels

Note: All LED luminaires are provided standard with driver with -20° starting and have a 5 year warranty.

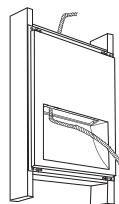
See Detailed Installation Instructions.

Installation should be coordinated between the framer, electrician and exterior finish contractor. The exterior finish contractor must provide waterproof seal where fixture joins the building.

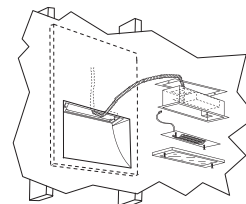
1) Fixture mounts to studs.



2) Allow at least 16" of additional conduit to connect power.



3) Finish & paint, then carefully make electrical connections.



4) The finished fixture blends with any architecture.

