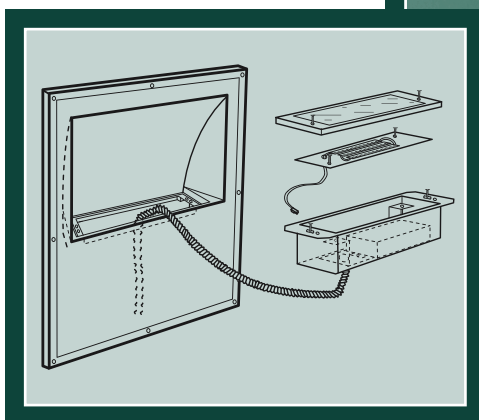
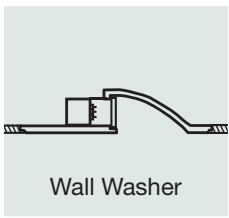
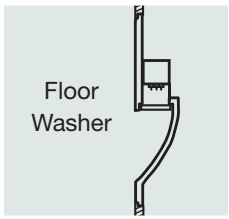
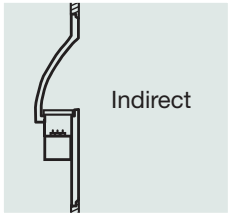


ELP

ENGINEERED LIGHTING
PRODUCTS

HITW LED SERIES

RECESSED Hole In The Wall Light Niche
For Plaster or Drywall



*Cast Fixtures with asymmetric light wash
that integrate into your wall or ceiling for the
custom built look of a drywall light niche.*

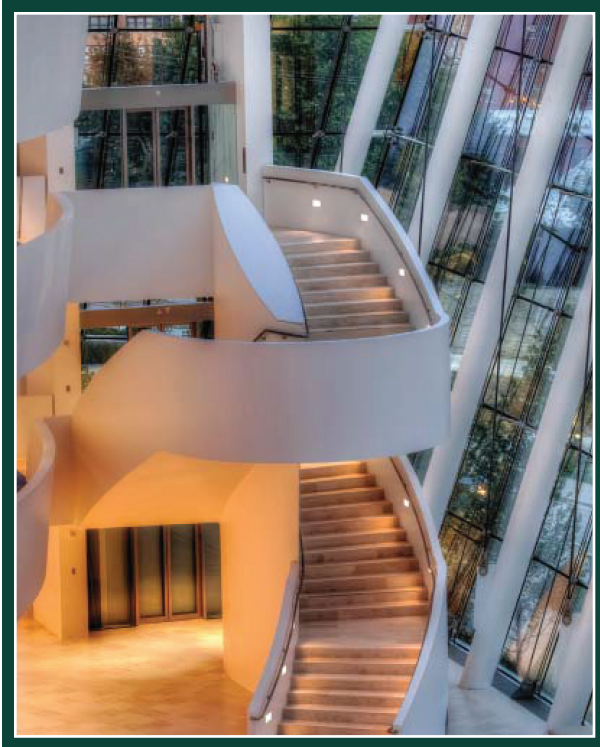
System

Rectangular, Square and Arched aperture fixtures that are cast with GRG (Glass fiber Reinforced Gypsum) composite material. Once installed, the fixture actually appears to be part of your wall or ceiling and looks like a custom formed drywall "light niche" that blends with any interior motif.



HITW LED SERIES

RECESSED Hole In The Wall Light Niche
For Plaster or Drywall



PERFORMING ARTS





HITW LED SERIES

TYPE:
CATALOG #:
JOB:

RECESSED Hole In The Wall Light Niche
For Plaster or Drywall

Specifications

Recessed fixture for use with LED lamping options. The GRG fixture is fiberglass reinforced cast plaster with integral electrical components. The casting houses an electrical box that includes LED modules, wiring, and driver. The metal "fixture insert" is 20 gauge CRS that is post painted with TGIC polyester powder coating, with cover and knock-outs for wiring. All units are supplied standard with Luminaire Disconnect.

Electrical components are accessible through the fixture opening. Electrical box provides knock-outs for through wiring. Casting mounts directly to stud construction. Allowance is made for 5/8" gypsum board construction butting the fixture. Once installed the fixture actually appears to be part of your wall and looks like a custom formed drywall "light niche."

The shallow 3-1/2" fixture may be recessed into a standard 4" wall to wash the ceiling or floor with light or mount in the ceiling to wash the wall with light. By lining the "wall recess" with gypsum, the wall installation may also be modified to maintain a one hour fire rating (SEE INSTRUCTIONS). The only exception to mounting in a standard 4" wall is style 32 x 16G on page 7 which would require a deeper, 2 x 6 stud wall because of its 4-3/4" depth.

NOTE: Please do NOT specify or try to install this product without clear understanding of the installation instructions.

c/CSA/us Damp Location listed, I.C. Rated. – Made in the USA.

U.S. Patent # 9,726,337

Options

- Dimming *See Dimming Options Next Page*
- Wireless Osram Sylvania Connected Lighting Module -WLMS***
- LED **Must Specify ***
 - 2700K -27K (90+CRI) ▲
 - 3000K -30K
 - 3500K -35K
 - (#11WA2-HITW-4x6 = 35K/Amber only)
 - 4000K -40K
 - 5000K -50K***
- Mini Lens Frosted Acrylic (Standard) Not 4x6 Models
Frosted Tempered Glass -ML-TGLF
(Standard for 4x6 Models)
- Louver Honeycomb, Silver -LVS
Honeycomb, Black -LVB
- Insert Finish White (Standard)
Anti-Microbial White -MB
- Hospital Hospital Grade for Insert -HG
(Lens; Gasket; Anti-Microbial Paint)

*** Consult Factory.

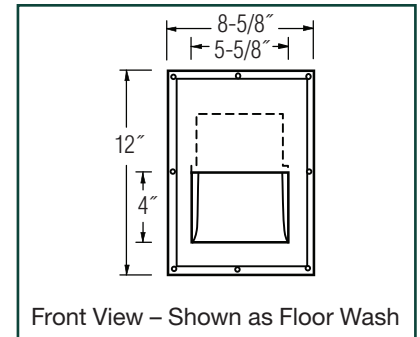
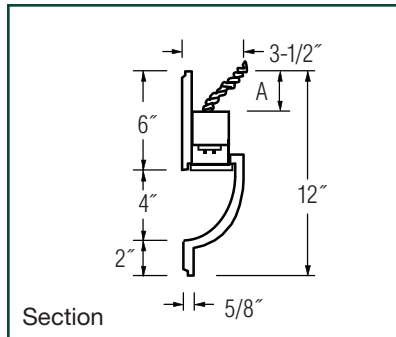
▲ Models with this symbol are California Title 24 compliant and are the only ones with a 27K option.

† Dimming Standard, Specify Type.

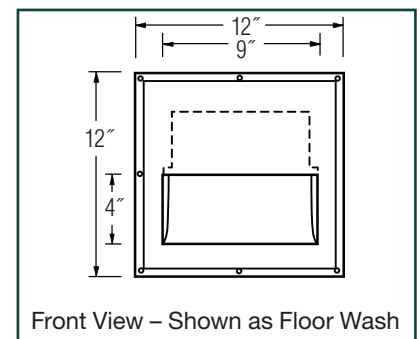
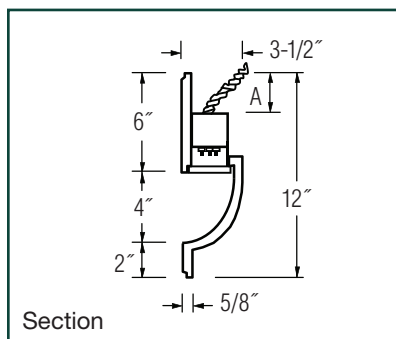
‡ Dimming available for this model.

§ Dimming available for this model with modified installation.

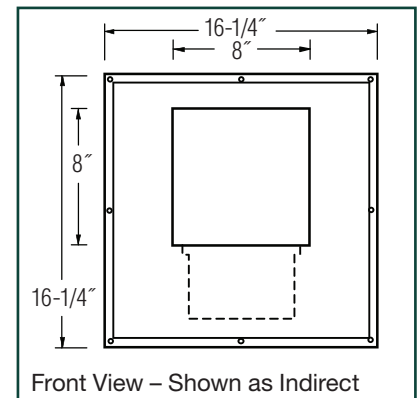
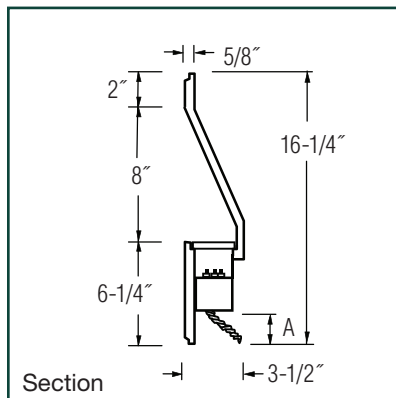
See installation instructions for details.



Model No.	A	Lens	Lamp	Fixture Lumens
11W1-HITW-4x6- (*) ● ‡	3"	Fr Glass	1w White LEDs, 1 CCT	41
11WA2-HITW-4x6- (*) ●	3"	Fr Glass	1w White/Amber LEDs, 2 CCT	20
11A1-HITW-4x6 ● ‡	3"	Fr Glass	1w Amber LEDs, 1 CCT	16



Model No.	A	Lens	Lamp	Fixture Lumens
36W1-HITW-4x9- (*) ◆ §	2-5/8"	Fr Acrylic	(3) 2w White LEDs	130
312W1-HITW-4x9- (*) ◆ §	2-5/8"	Fr Acrylic	(3) 4w White LEDs	261



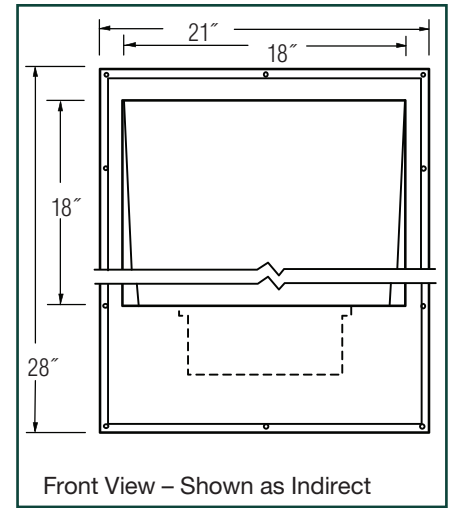
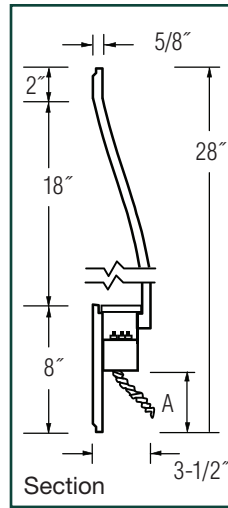
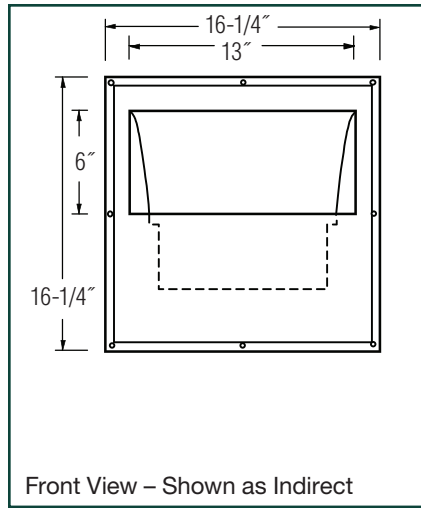
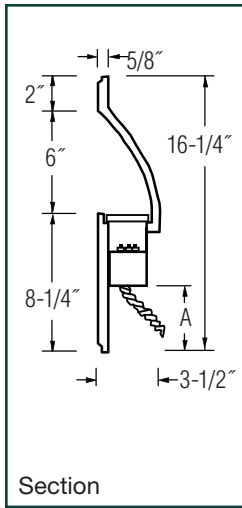
Model No.	A	Lens	Lamp	Fixture Lumens
36W1-HITW-8x8- (*) ◆ §	3"	Fr Acrylic	(3) 2w White LEDs	141
312W1-HITW-8x8- (*) ◆ §	3"	Fr Acrylic	(3) 4w White LEDs	282



HITW LED SERIES

TYPE:
CATALOG #:
JOB:

RECESSED Hole In The Wall Light Niche
For Plaster or Drywall



Model No.	A	Lens	Lamp	Fixture Lumens
36W1-HITW-6x13-(*) ◆ ‡	4-5/8"	Fr Acrylic	(3) 2w White LEDs	141
312W1-HITW-6x13-(*) ◆ ‡	4-5/8"	Fr Acrylic	(3) 4w White LEDs	282

Model No.	A	Lens	Lamp	Fixture Lumens
36W1-HITW-18x18-(*) ◆ ‡	4-3/8"	Fr Acrylic	(3) 2w White LEDs	141
312W1-HITW-18x18-(*) ◆ ‡	4-3/8"	Fr Acrylic	(3) 4w White LEDs	282

Dimming Options

Integral ●

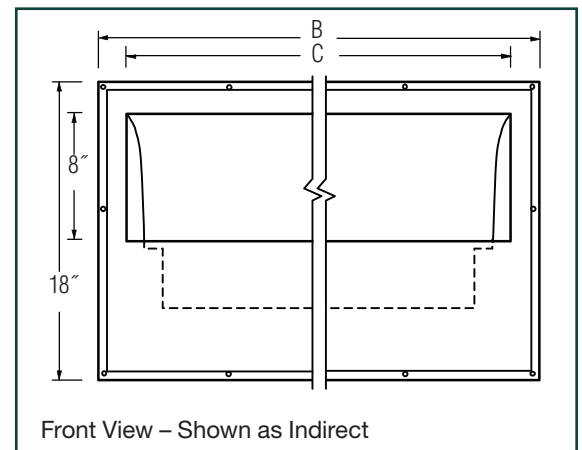
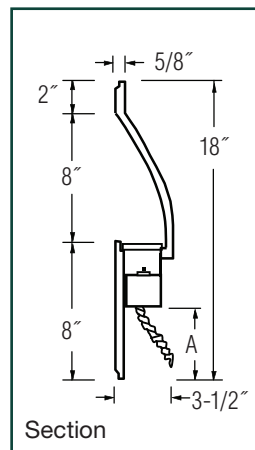
- LED Line voltage integral LED boards. Available in 120 or 277 volt with 50,000 hours rated life.
- Dimming 120 volt – Triac Dimmable
277 volt – Dimming Not Available
(#11WA2-HITW-4x6 is 120v, Non Dim Only)

HF2 Stick ◆

- LED Osram HF2 Narrow Stick LED modules with 50,000 hours rated life. 5 year warranty.
- Dimming 120/277 Non-Dim (Standard)
3-wire/Digital, Lutron ECO Systems L3D 1% -DM6
2-wire, Lutron LTE 1% (120 only) -DM7

PrevaLED® ▲

- LED Osram PrevaLED® arrays that are 80+ CRI and rated greater than 60,000 hours. Fixtures utilizing 2700K lamps are 90+ CRI and are California Title 24 compliant. 5 year warranty on all.
- Dimming 120/277 0-10 volt, Osram OT True 1% Dim (Standard)
With End Of Life Indicator -EOL
With Soft Start -SFT
With Dim To Off -DTO
- Alternate Dimming:**
3-wire/Digital, Lutron ECO Systems L3D 1% -DM6
2-wire, Lutron LTE 1% (120 only) -DM7
Digital, Lutron LDE 1% -DM8
LDE Standard Features include Soft-On,
Fade to Black and Guaranteed 1% Dimming



Model No.	A	B	C	Lens	Lamp	Fixture Lumens
222W1-HITW-8x29-(*) ▲ †	4-1/2"	32"	29"	Fr Acrylic	(2) 11w White LEDs	1640
444W1-HITW-8x54-(*) ▲ †	4-1/2"	58"	54"	Fr Acrylic	(4) 11w White LEDs	2682

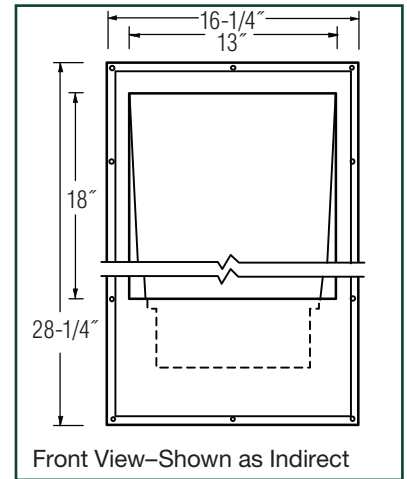
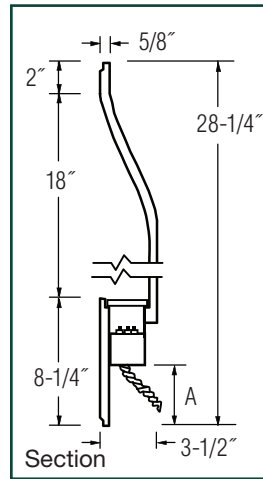
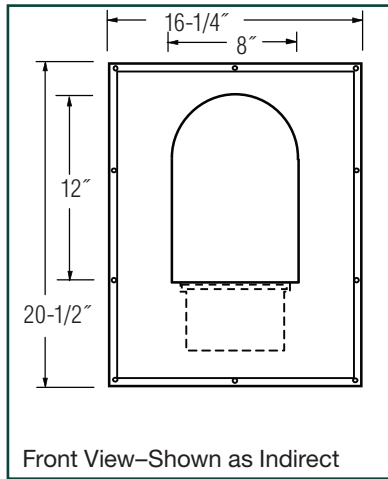
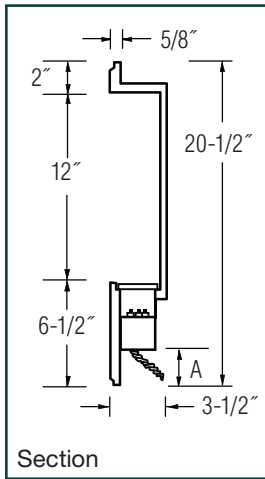
† Dimming Standard, Specify Type
‡ Dimming available for this model.
§ Dimming available for this model with modified installation.
See installation instructions for details.



HITW LED SERIES

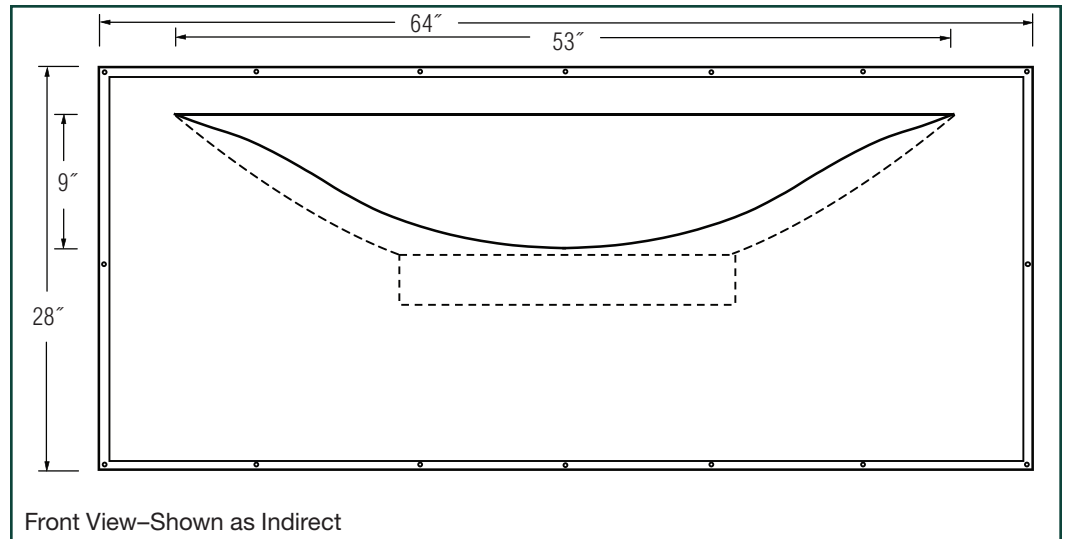
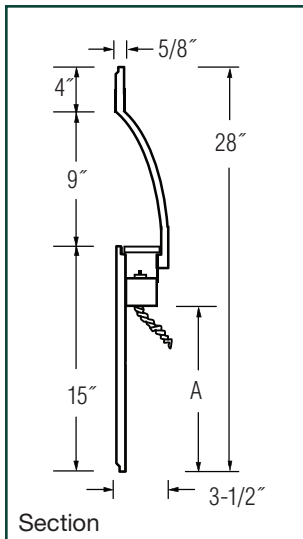
TYPE:
CATALOG #:
JOB:

RECESSED Hole In The Wall Light Niche
For Plaster or Drywall



Model No.	A	Lens	Lamp	Fixture Lumens
36W1-HITW-12x8R-(*)◆§	3"	Fr Acrylic	(3) 2w White LEDs	141
312W1-HITW-12x8R-(*)◆§	3"	Fr Acrylic	(3) 4w White LEDs	282

Model No.	A	Lens	Lamp	Fixture Lumens
36W1-HITW-18x13-(*)◆‡	4-1/2"	Fr Acrylic	(3) 2w White LEDs	141
312W1-HITW-18x13-(*)◆‡	4-1/2"	Fr Acrylic	(3) 4w White LEDs	282



Model No.	A	Lens	Lamp	Fixture Lumens
222W1-HITW-9x53R-(*)▲†	10-1/2"	Fr Acrylic	(2) 11w White LEDs	1640

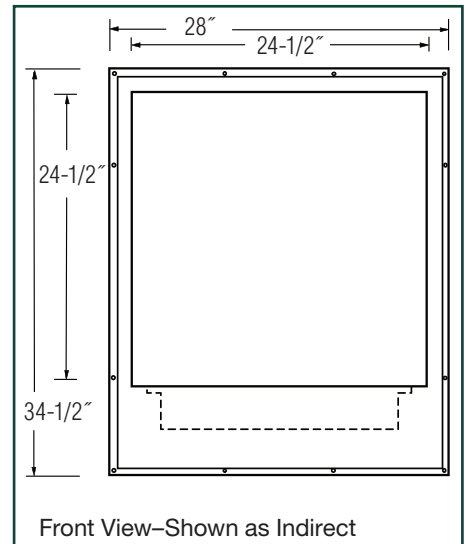
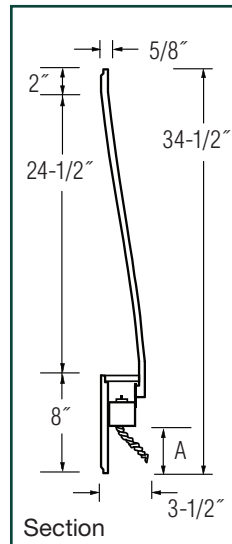
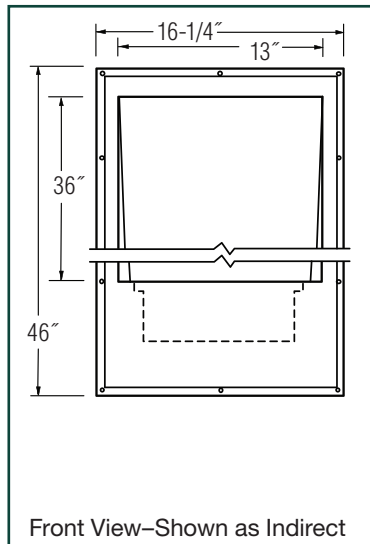
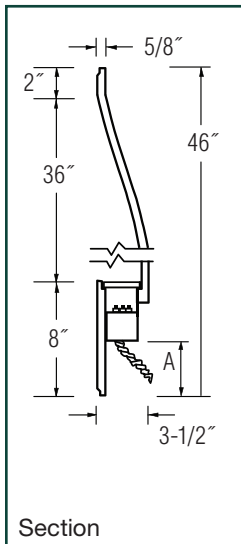
† Dimming Standard, Specify Type
‡ Dimming available for this model.
§ Dimming available for this model with modified installation.
See installation instructions for details.



HITW LED SERIES

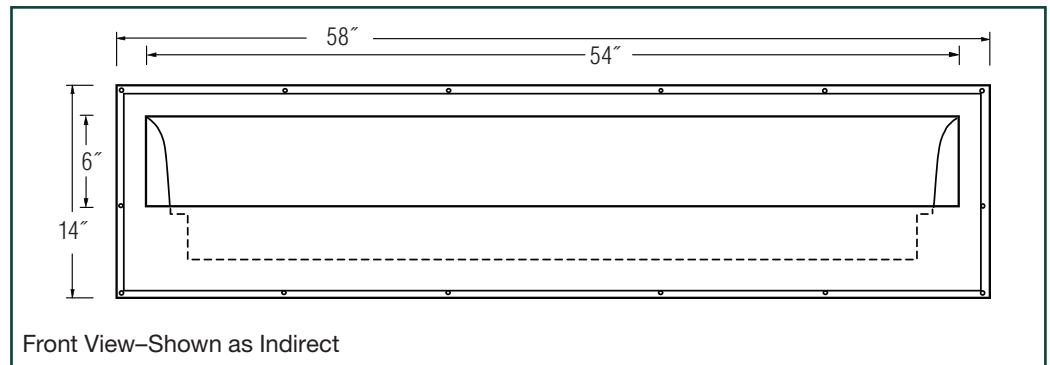
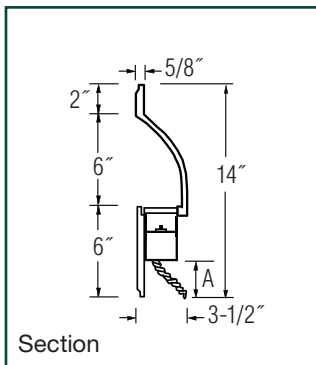
TYPE:
CATALOG #:
JOB:

RECESSED Hole In The Wall Light Niche
For Plaster or Drywall



Model No.	A	Lens	Lamp	Fixture Lumens
36W1-HITW-36x13-(*) [‡]	3"	Fr Acrylic	(3) 2w White LEDs	141
312W1-HITW-36x13-(*) [‡]	3"	Fr Acrylic	(3) 4w White LEDs	282

Model No.	A	Lens	Lamp	Fixture Lumens
222W1-HITW-24x24-(*) [†]	4-1/2"	Fr Acrylic	(2) 11w White LEDs	1657



Model No.	A	Lens	Lamp	Fixture Lumens
444W1-HITW-6x54-(*) [†]	2-1/2"	Fr Acrylic	(4) 11w White LEDs	2682

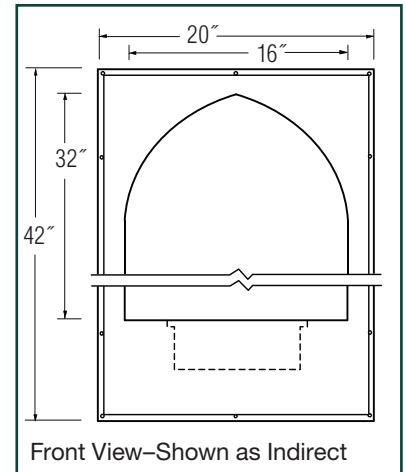
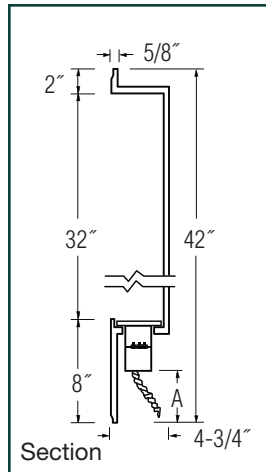
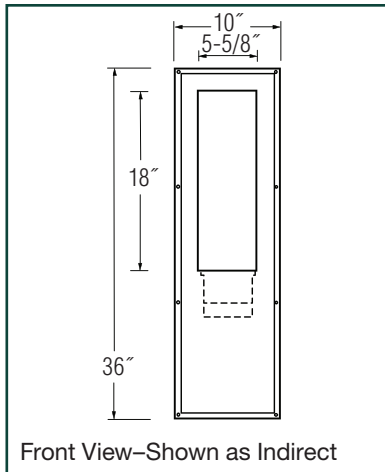
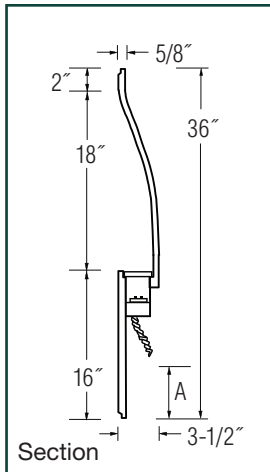
† Dimming Standard, Specify Type
‡ Dimming available for this model.
§ Dimming available for this model with modified installation.
See installation instructions for details.



HITW LED SERIES

TYPE:
CATALOG #:
JOB:

RECESSED Hole In The Wall Light Niche
For Plaster or Drywall



Model No.	A	Lens	Lamp	Fixture Lumens
11W1-HITW-18x6-(*)*†	10-1/2"	Fr Glass	1w White LEDs	41

Model No.	A	Lens	Lamp	Fixture Lumens
36W1-HITW-32x16G-(*)*†	4-1/2"	Fr Acrylic	(3) 2w White LEDs	141
312W1-HITW-32x16G-(*)*†	4-1/2"	Fr Acrylic	(3) 4w White LEDs	282

NOTE: This model of HITW will not fit in standard 2 x 4 stud construction, it requires 2 x 6 studs.

Installation

NOTE: Fixture should be installed by the drywall contractor and wired by the electrical contractor.
SEE DETAILED INSTALLATION INSTRUCTIONS

