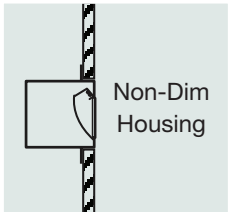


ELP

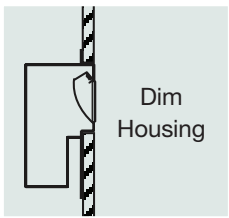
ENGINEERED LIGHTING
PRODUCTS

LS LED SERIES

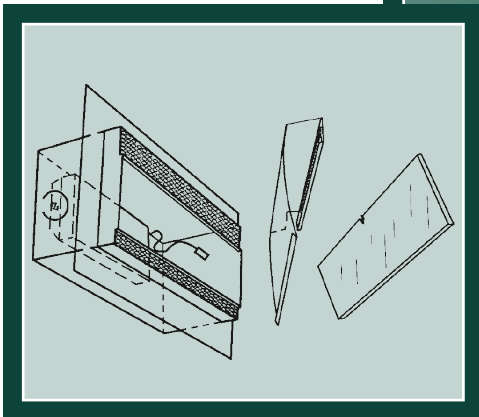
RECESSED LED Steplight
Trimless & Trimmed for Drywall Installation



Non-Dim
Housing



Dim
Housing



*Ideal placement is 8" to 12"
from the bottom edge of
fixture opening to the floor.*

System

Versatile little steplight that has minimal intrusion into the architectural space. Units can be ordered in back-to-back configurations and with a full lensed trim, gasketed for Hospitals or Trimless. The Trimless design allows the wall finish to end right at the edge of the lighted opening.



TYPE:
CATALOG #:
JOB:

LS LED SERIES

RECESSED LED Steplight Trimless & Trimmed for Drywall Installation

Specifications

Small, recessed LED steplight for trimless finish. The design does not require a trim to finish the wall opening. A flange is provided around the perimeter of the fixture to allow for 5/8" gypsum board construction. The shallow fixture may be recessed into a standard 2" x 4" stud wall. By lining the "wall recess" with gypsum, the wall installation may also be modified to maintain a one hour fire rating. (SEE INSTRUCTIONS)

Fixture aperture allows the wall finish to end right at the edge of the lighted opening for a clean construction appearance. TGIC polyester powder coated housing is made of 22 gauge CRS. The 2 or 4 watt fixture has a formed diffuse silver reflector of high purity aluminum (99.9%) with a 97% reflectance. The indirect design provides a soft asymmetric wash of light on the floor. It utilizes the Osram HF² Narrow Stick LED modules that are 85+ CRI and rated 50,000 hour lamp life. Lexan lens is spring loaded within the fixture.

Tested to IES LM79 & LM80 standards. These extremely efficient fixtures have a Luminaire Efficacy Rating (LER) of 33 to 38 depending on the LED module.

c/CSA/us Damp Location Listed, IC Rated - Made in the USA

Options

Driver 120/277 Electronic (Standard)
Dimming: (SEE HOUSING SECTION)
3-wire/Digital, Lutron ECO Systems L3D 1% -DM6
2-wire, Lutron LTE 1% (120 only) -DM7

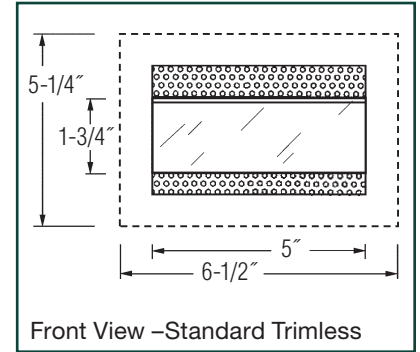
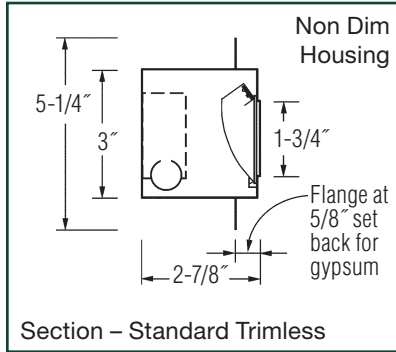
Finish White (Standard)
Anti-Microbial White -MB
Custom -Custom

Reflector Diffuse Silver 97 (Standard)
Painted White -W

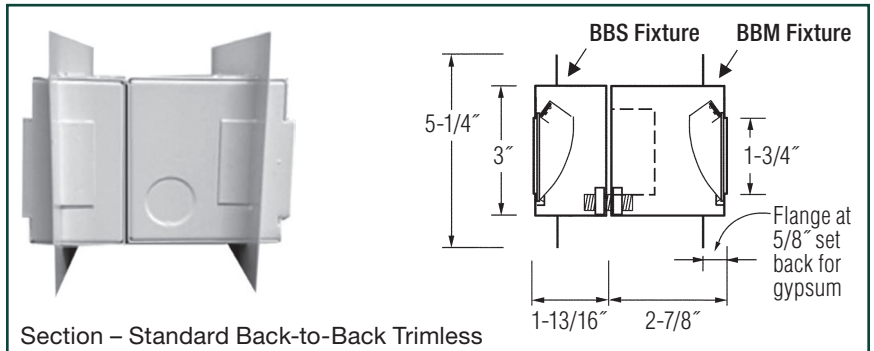
Lens Clear Acrylic Full Lens (Standard)
Frosted Acrylic Full Lens -FLF
Amber Full Lens for Night Light -FLA

LED **Must Specify ***

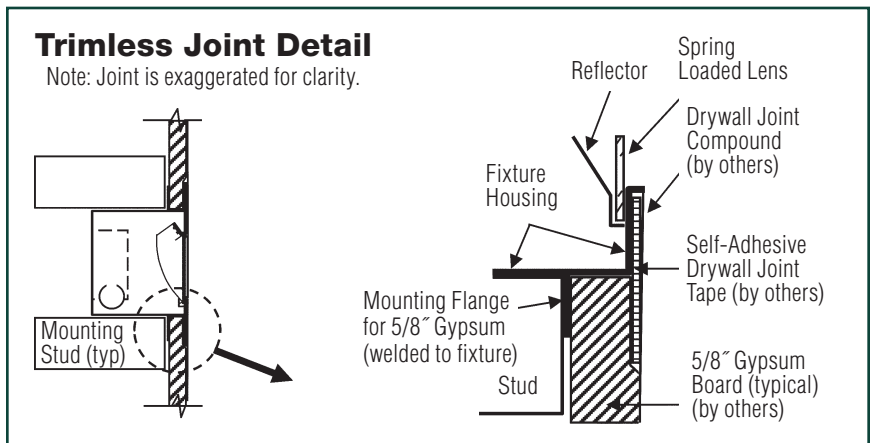
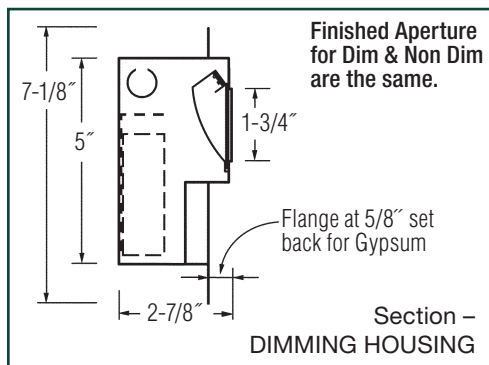
2700K -27K
3000K -30K
3500K -35K
4000K -40K



Model No. for Standard	Rough-in Dimensions	Lamp	Fixture Lumens
12W1LS-(*)K	3-1/2" x 5-1/2"	2w LED	69
14W1LS-(*)K	3-1/2" x 5-1/2"	4w LED	138



Model No. for Back to Back	Depth	Rough-in Dimensions	Lamp	Fixture Lumens
12W1LS-BBM-(*)K ▲	2-7/8"	3-1/2" x 5-1/2"	2w LED	69
12W1LS-BBS-(*)K ▲	1-13/16"	3-1/2" x 5-1/2"	2w LED	69
14W1LS-BBM-(*)K ▲	2-7/8"	3-1/2" x 5-1/2"	4w LED	138
14W1LS-BBS-(*)K ▲	1-13/16"	3-1/2" x 5-1/2"	4w LED	138



▲ Please designate the thickness of wall framing for Back-to-Back installations: 2 x 4, 2 x 6 etc. Back-to-Back installations are (1) circuit only.

Note: All LED luminaires have a 5 year warranty.



TYPE:
 CATALOG #:
 JOB:

RECESSED LED Steplight Trimless & Trimmed for Drywall Installation

Specifications

Small, recessed LED steplight for trimless finish. The design does not require a trim to finish the wall opening. A flange is provided around the perimeter of the fixture to allow for (2) 5/8" gypsum board construction. The shallow fixture may be recessed into a standard 2" x 4" stud wall. By lining the "wall recess" with two layers of gypsum, this fixture may be installed to maintain a two-hour fire rating. (SEE INSTRUCTIONS & CONFIRM w/ LOCAL INSPECTOR)

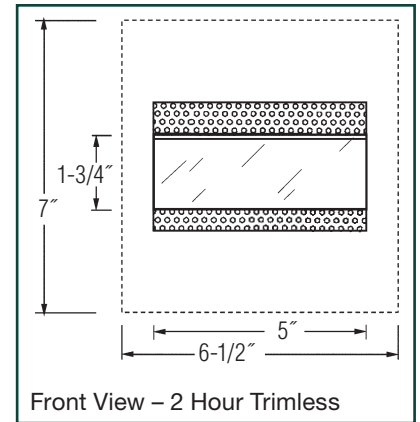
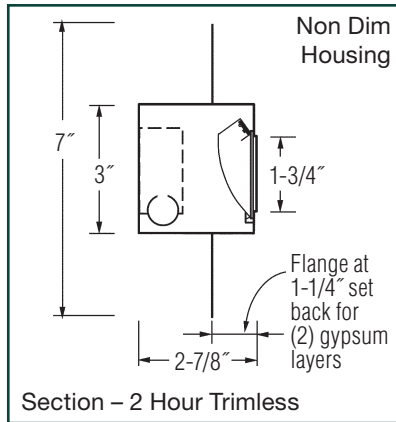
Fixture aperture allows the wall finish to end right at the edge of the lighted opening for a clean construction appearance. TGIC polyester powder coated housing is made of 22 gauge CRS. The 2 or 4 watt fixture has a formed diffuse silver reflector of high purity aluminum (99.9%) with a 97% reflectance. The indirect design provides a soft asymmetric wash of light on the floor. It utilizes the Osram HF2 Narrow Stick LED modules that are 85+ CRI and rated 50,000 hour lamp life. Lexan lens is spring loaded within the fixture.

Tested to IES LM79 & LM80 standards. These extremely efficient fixtures have a Luminaire Efficacy Rating (LER) of 33 to 38 depending on the LED module.

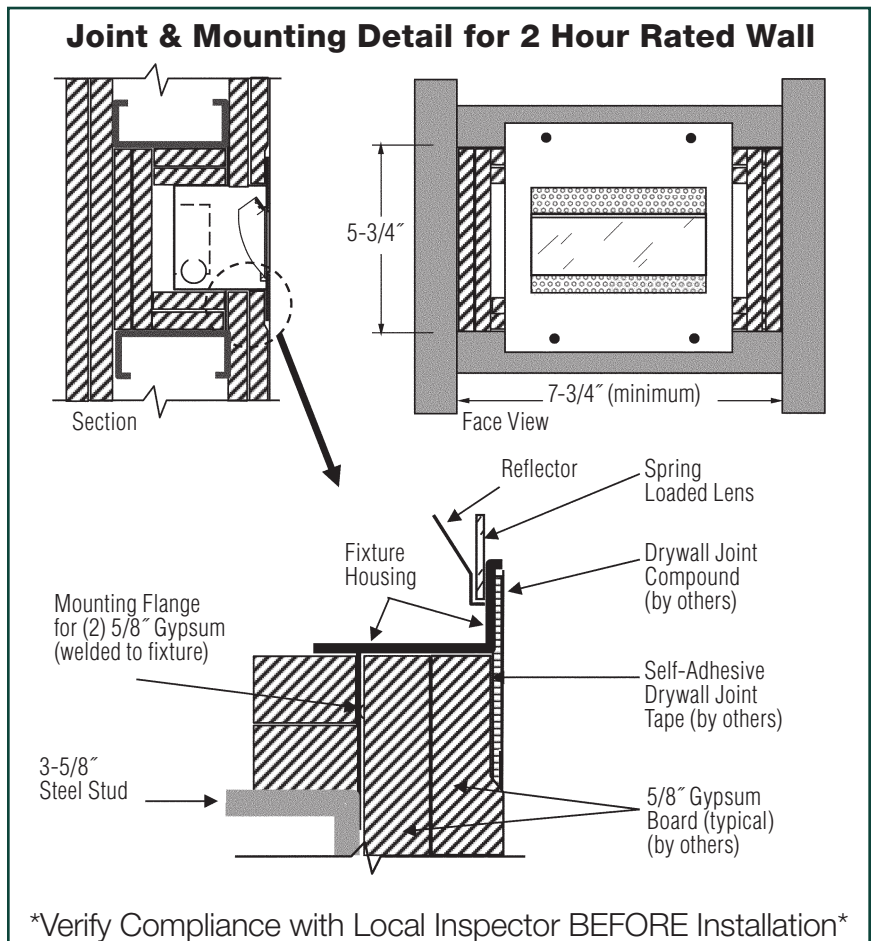
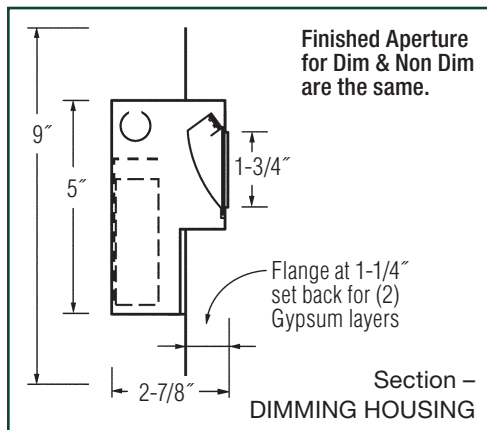
c/CSA/us Damp Location Listed, IC Rated - Made in the USA

Options

- Driver 120/277 Electronic (Standard)
- Dimming: (SEE HOUSING SECTION)
- 3-wire/Digital, Lutron ECO Systems L3D 1% -DM6
- 2-wire, Lutron LTE 1% (120 only) -DM7
- Finish White (Standard)
- Anti-Microbial White -MB
- Custom -Custom
- Reflector Diffuse Silver 97 (Standard)
- Painted White -W
- Lens Clear Acrylic Full Lens (Standard)
- Frosted Acrylic Full Lens -FLF
- Amber Full Lens for Night Light -FLA
- LED **Must Specify***
- 2700K -27K
- 3000K -30K
- 3500K -35K
- 4000K -40K



Model No. for 2 Hour Wall	Rough-in Dimensions	Lamp Fixture Lumens
12W1LS-2H>(*K)	5-3/4" x 7-3/4"	2w LED 69
14W1LS-2H(*K)	5-3/4" x 7-3/4"	4w LED 138



Verify Compliance with Local Inspector BEFORE Installation

Note: All LED luminaires have a 5 year warranty.



LS LED SERIES

TYPE:
CATALOG #:
JOB:

RECESSED LED Steplight Trimless & Trimmed for Drywall Installation

Specifications

Small, recessed LED steplight. A flange is provided around the perimeter of the fixture for mounting. The shallow fixture may be recessed into a standard 2" x 4" stud wall. By lining the "wall recess" with gypsum, the wall installation may also be modified to maintain a one hour fire rating. (SEE INSTRUCTIONS)

TGIC polyester powder coated housing is made of 22 gauge CRS. The 2 or 4 watt fixture has a formed diffuse silver reflector of high purity aluminum (99.9%) with a 97% reflectance. The indirect design provides a soft asymmetric wash of light on the floor. It utilizes the Osram HF2 Narrow Stick LED modules that are 85+ CRI and rated 50,000 hour lamp life. Full Face Lens Plate is supplied standard with clear Lexan lenses.

Tested to IES LM79 & LM80 standards. These extremely efficient fixtures have a Luminaire Efficacy Rating (LER) of 33 to 38 depending on the LED module.

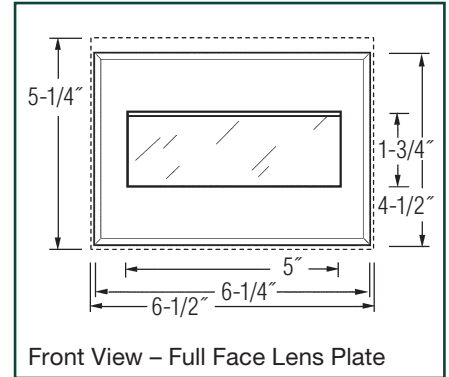
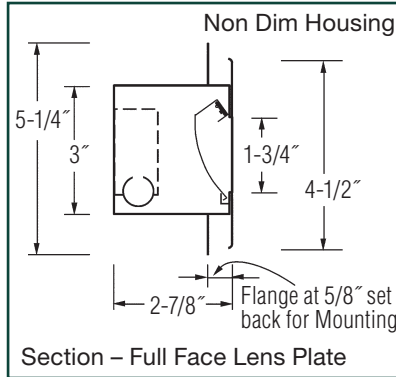
c/CSA/us Damp Location Listed, IC Rated - Made in the USA

Options

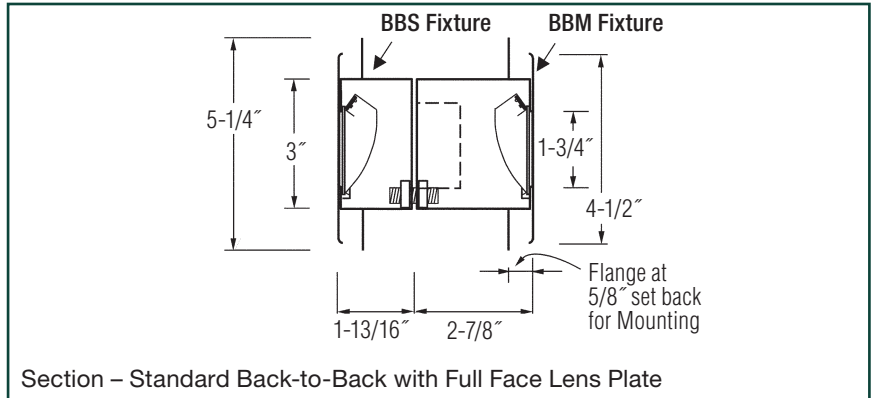
- Driver 120/277 Electronic (Standard)
- Dimming: (SEE HOUSING SECTION)
- 3-wire/Digital, Lutron ECO Systems L3D 1% -DM6
- 2-wire, Lutron LTE 1% (120 only) -DM7
- Finish White (Standard)
- Anti-Microbial White -MB
- Custom -Custom
- Reflector Diffuse Silver 97 (Standard)
- Painted White -W
- Lens Clear Acrylic Full Lens (Standard)
- Frosted Acrylic Full Lens -FFLPPF
- Amber Full Lens for Night Light -FFLPA
- LED **Must Specify***
- 2700K -27K
- 3000K -30K
- 3500K -35K
- 4000K -40K
- Hospital Hospital Grade Features -HG
- (Full Lens, Gasket, Anti-Microbial Paint)

▲ Please designate the thickness of wall framing for Back-to-Back installations: 2 x 4, 2 x 6, etc. Back-to-Back installations are (1) circuit only.

Note: All LED luminaires have a 5 year warranty.



Model No. for Full Face Lens Plate	** Rough-in Dimensions	Lamp	Fixture Lumens
12W1LS-FFLP-(*K)	3-3/4" x 5-1/2"	2w LED	69
14W1LS-FFLP-(*K)	3-3/4" x 5-1/2"	4w LED	138



Model No.	Depth	** Rough-in Dimensions	Lamp	Fixture Lumens
12W1LS-BBM-FFLP-(*K) ▲	2-7/8"	3-3/4" x 5-1/2"	2w LED	69
12W1LS-BBS-FFLP-(*K) ▲	1-13/16"	3-3/4" x 5-1/2"	2w LED	69
14W1LS-BBM-FFLP-(*K) ▲	2-7/8"	3-3/4" x 5-1/2"	4w LED	138
14W1LS-BBS-FFLP-(*K) ▲	1-13/16"	3-3/4" x 5-1/2"	4w LED	138

**Rough-in DRYWALL dimensions at the face of fixture are 3-1/2" x 5-1/2"

