

ELP

ENGINEERED LIGHTING
PRODUCTS

TRIMLESS LED OPTION

RECESSED Fixtures for Continuous Row Mount
For Plaster or Drywall



Any of our Plaster / Drywall fixtures may be ordered in the Trimless configuration.

System

The *TRIMLESS* feature provides the best of both worlds. Minimal intrusion into the architectural space, incorporated with our patented reflector systems for maximum performance. Design allows ceiling/wall finish to end right at the edge of the lighted opening.



TRIMLESS LED OPTION

TYPE:
CATALOG #:
JOB:

RECESSED Fixtures for Continuous Row Mount For Plaster or Drywall

Specifications

Recessed fixture which does not require a trim to finish the ceiling opening. This option is available for all recessed plaster/drywall fixtures. A set back flange is provided around the perimeter of the fixture to allow for 5/8" gypsum board construction for -TLD models and 7/8" plaster for -TLP models. The fixture allows the ceiling finish to end right at the edge of the lighted opening for a clean construction appearance.

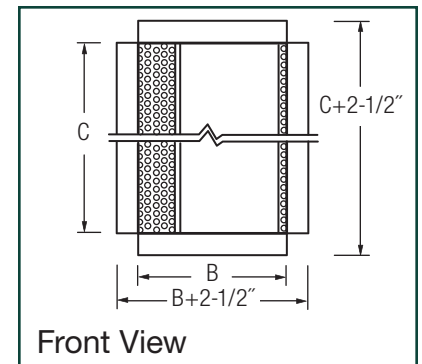
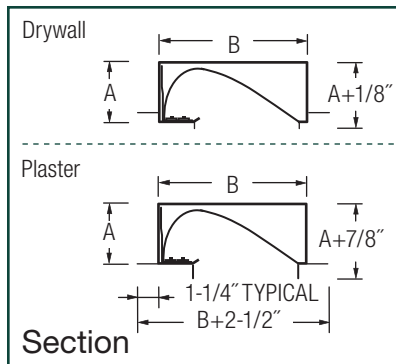
TGIC polyester powder coated housing is made of 22 gauge CRS. All fluorescent fixtures are supplied standard with Luminaire Disconnect.

Options*

The following options are available for fixtures provided as DRYWALL TRIMLESS.

- Reflector Diffuse (Standard for most fixtures)
 Stepped Diffuse Silver -ST
 Painted White -W
 (To eliminate a clear lamp image in
 *Up light installations that may occur at
 certain viewing angles, we suggest you use
 a White or Stepped reflector, OR standard
 reflector with Frosted Mini Lens*)
- Lens Clear Lexan Mini Lens -ML
 Frosted Lexan Mini Lens -MLF
- Louver Diffuse Silver Parallel Blade -LV

* Options are only available if listed on the standard catalog cut.



A	A – Height of the recessed housing on the required Series catalog sheet.		
B	B – Width of the recessed housing on the required Series catalog sheet.		
C	C – Length of the recessed TRIMLESS housing. (SEE CHART)		
Sample:	A	B	C
AK Series	222W1WW-AK-35	3-1/2" Ht. x 8-1/2" W	x 22-15/16" L
AK Series TRIMLESS	222W1WW-AK-35-TLD	3-1/2" Ht. x 8-1/2" W	x 24" L

Chart for "C" Dimension	Length of TRIMLESS Fixture Housing		
	2' nominal	3' nominal	4' nominal
AK, DL, DW Series Fixtures	C = 24"	C = 36"	C = 48"
IW Series Fixtures	C = 22-15/16"		C = 46-15/16"
VT Series	C = 23"		
All Series Fixtures less than 20" length	C = SAME length for Trimless		

Rough-in Dimensions:

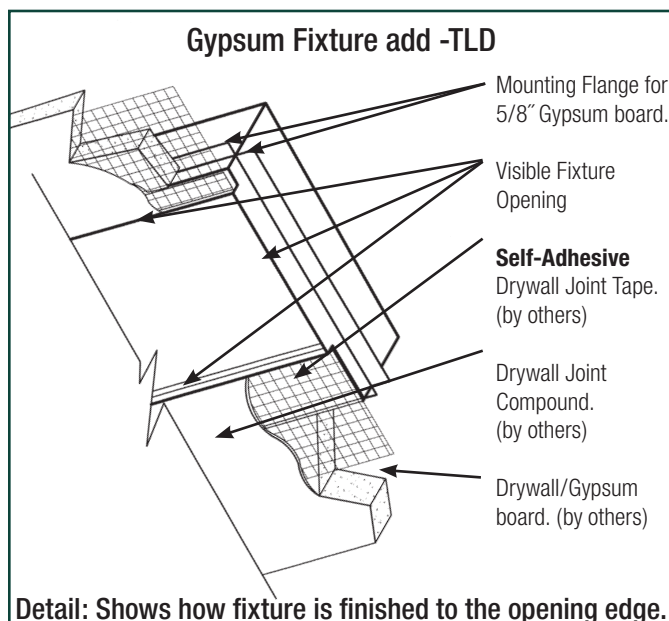
Individual Fixture = ("C" + 1/2") x ("B" + 1/2")

Continuous Row = (Length of row, add all "C" lengths + 1/2) x ("B" + 1/2)

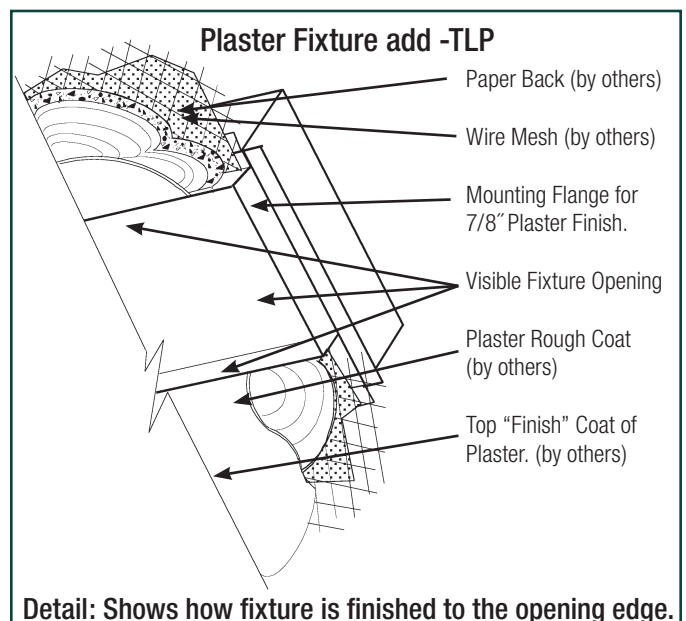
To specify the TRIMLESS option, for any of our recessed plaster/drywall fixtures, simply add the following to our standard catalog number:

Drywall installations add -TLD

Plaster installations add -TLP



Detail: Shows how fixture is finished to the opening edge.



Detail: Shows how fixture is finished to the opening edge.